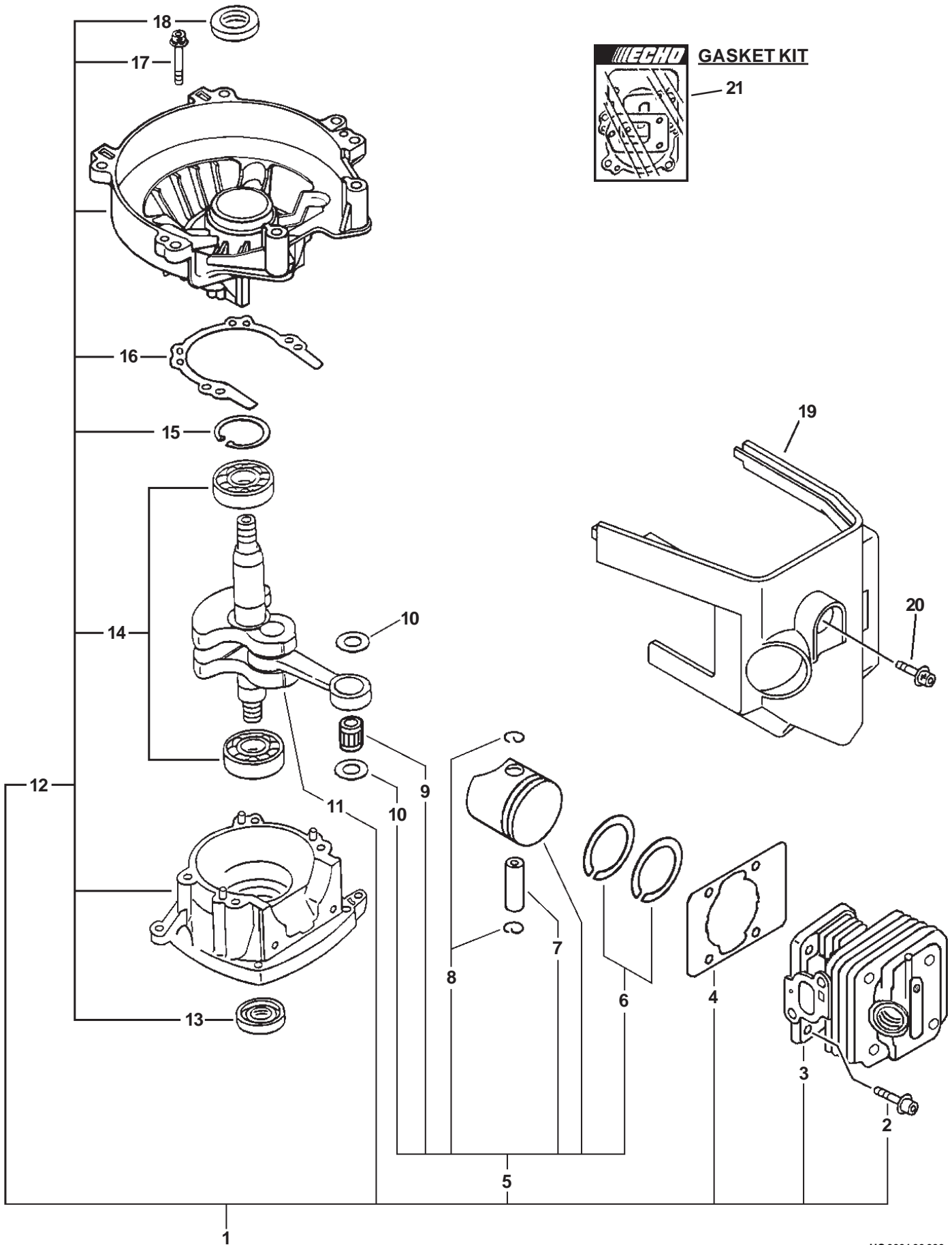




SERIAL NUMBERS: 02001001-02999999



**SERIAL NUMBERS: 02001001-02999999**

ITEM	PART NUMBER	QTY	DESCRIPTION	REMARKS
<u>OPTIONAL ENGINE REPOWER</u>				
1	SB1046	1	SHORT BLOCK	INCLUDES ITEM 2-18
2	90016205022	4	BOLT 5X22	
3	A130000074	1	CYLINDER	
★ 4	V100000010	1	GASKET, CYLINDER	
5	P021001080	1	PISTON KIT	INCLUDES ITEMS 6-10
6	A101000000	2	RING, PISTON	
7	10001311520	1	PIN, PISTON	
8	10001504630	2	CIRCLIP, PISTON PIN	
9	10001255930	1	BEARING, NEEDLE	
10	10001455930	2	SPACER, PISTON PIN	
11	A011000060	1	CRANKSHAFT ASY	
12	P021001090	1	CRANKCASE KIT	INCLUDES ITEMS 13-18
13	10021305530	1	OIL SEAL	
14	90080036001	2	BEARING, BALL	
15	90070200028	1	CIRCLIP 28	
★ 16	10024255930	1	GASKET, CRANKCASE	
17	90016205025	4	BOLT, 5X25	
18	10021228230	1	OIL SEAL	
19	A160000080	1	COVER, CYLINDER	
20	9111005016	1	BOLT 5X16	

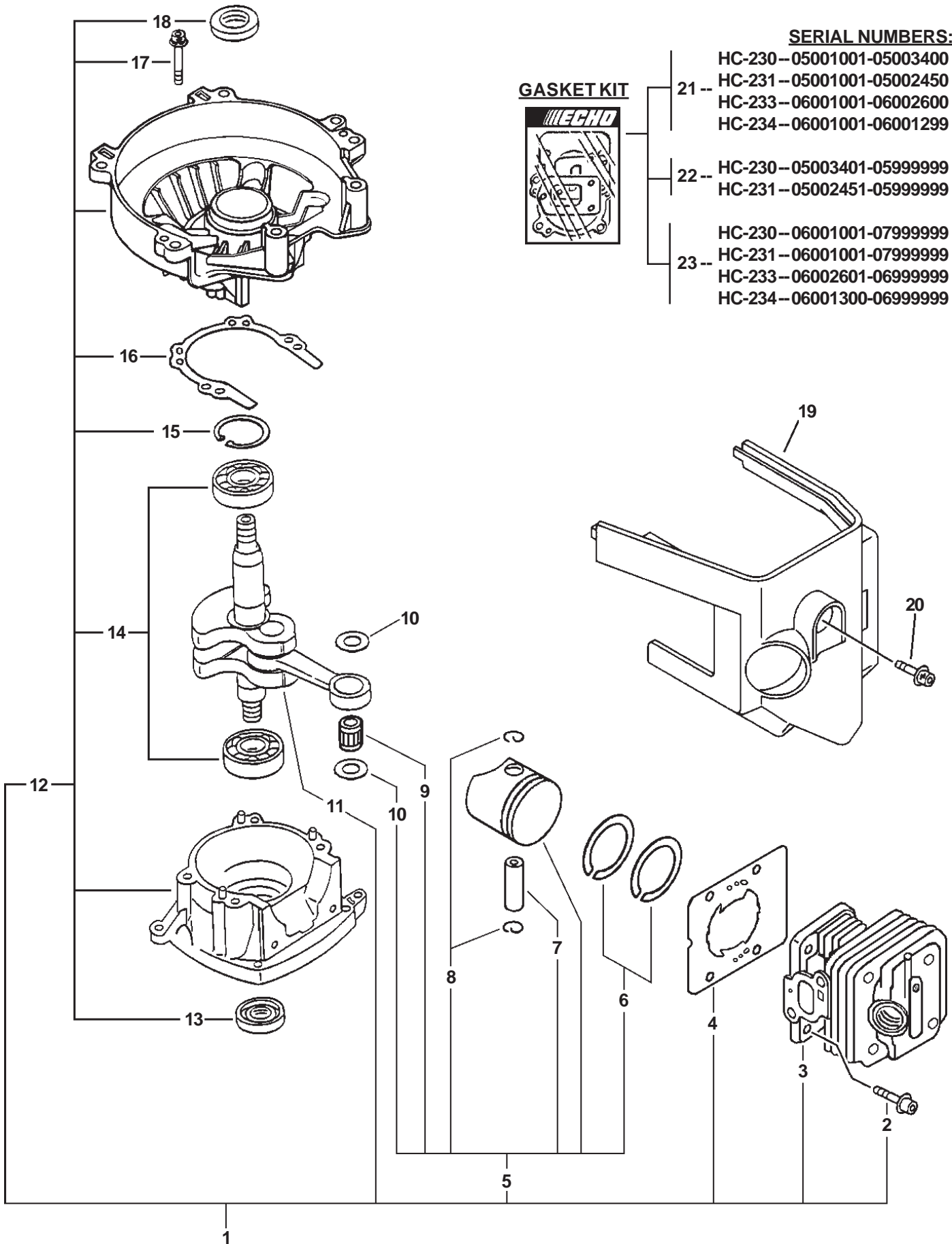
★ Also Included In GASKET KIT

21	P021002240	1	GASKET KIT	
----	------------	---	------------	--

# HC-230, 231, 233, 234

Engine, Short Block, Cylinder Cover

**SERIAL NUMBERS: 05001001-07999999**



**SERIAL NUMBERS: 05001001-07999999**

ITEM	PART NUMBER	QTY	DESCRIPTION	REMARKS
<u>OPTIONAL ENGINE REPOWER</u>				
1	SB1063	1	SHORT BLOCK	INCLUDES ITEM 2-18
2	90016205022	4	BOLT 5X22	
3	A130000341	1	CYLINDER	
★ 4	V100000060	1	GASKET, CYLINDER	
5	P021003860	1	PISTON KIT	INCLUDES ITEMS 6-10
6	A101000000	2	RING, PISTON	
7	10001311520	1	PIN, PISTON	
8	10001504630	2	CIRCLIP, PISTON PIN	
9	V553000020	1	BEARING, NEEDLE	
10	10001455930	2	SPACER, PISTON PIN	
11	A011000061	1	CRANKSHAFT ASY	
12	P021001091	1	CRANKCASE KIT	INCLUDES ITEMS 13-18
13	10021305530	1	OIL SEAL	
14	90080036001	2	BEARING, BALL	
15	90070200028	1	CIRCLIP 28	
★ 16	10024255930	1	GASKET, CRANKCASE	
17	90016205025	4	BOLT, 5X25	
18	10021228230	1	OIL SEAL	
19	A160000080	1	COVER, CYLINDER	
20	9111005016	1	BOLT 5X16	

★ Also Included In GASKET KIT

SERIAL NUMBERS:

- HC-230 -- 05001001-05003400
- HC-231 -- 05001001-05002450
- HC-233 -- 06001001-06002600
- HC-234 -- 06001001-06001299

21	P021003880	1	GASKET KIT	
----	------------	---	------------	--

SERIAL NUMBERS:

- HC-230 -- 05003401-05999999
- HC-231 -- 05002451-05999999

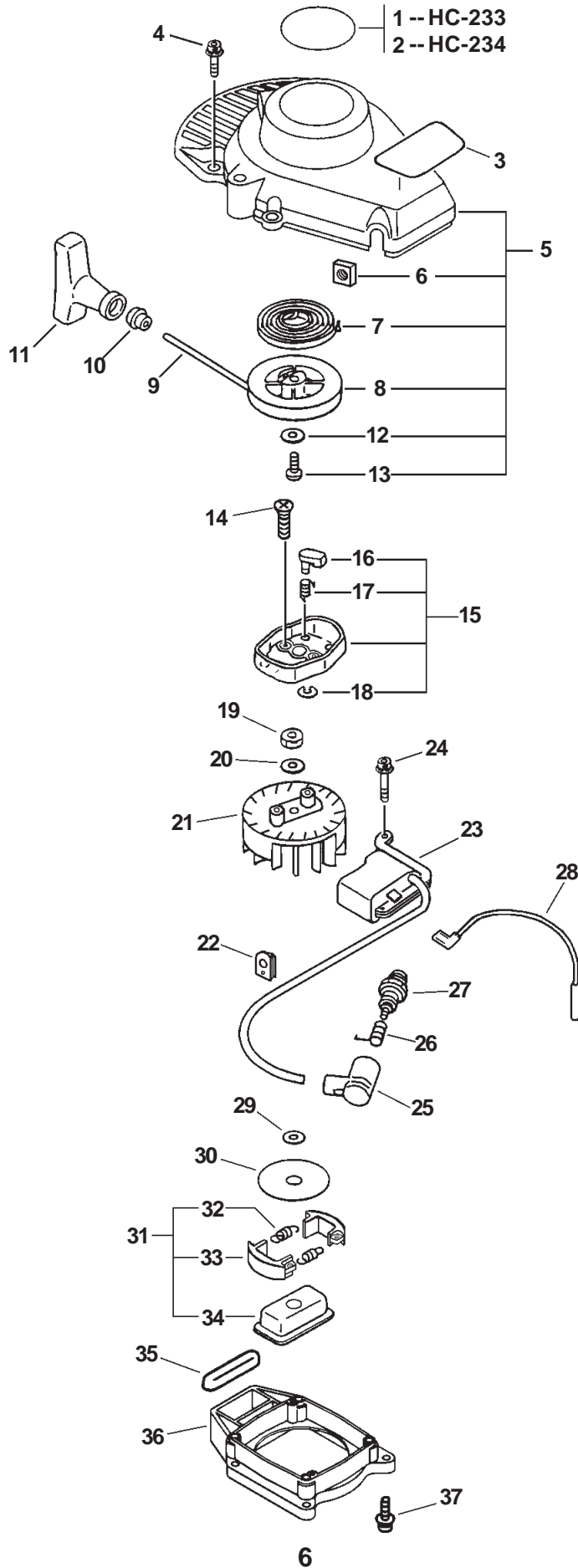
22	P021006450	1	GASKET KIT	
----	------------	---	------------	--

SERIAL NUMBERS:

- HC-230 -- 06001001-07999999
- HC-231 -- 06001001-07999999
- HC-233 -- 06002601-06999999
- HC-234 -- 06001300-06999999

23	P021006470	1	GASKET KIT	
----	------------	---	------------	--

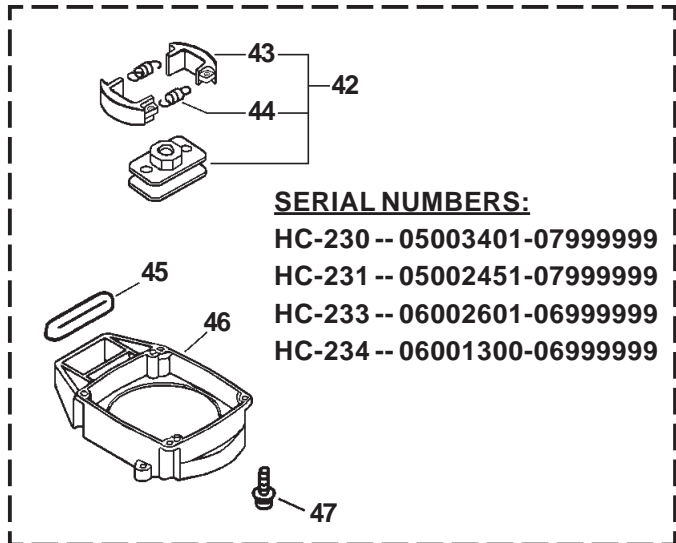
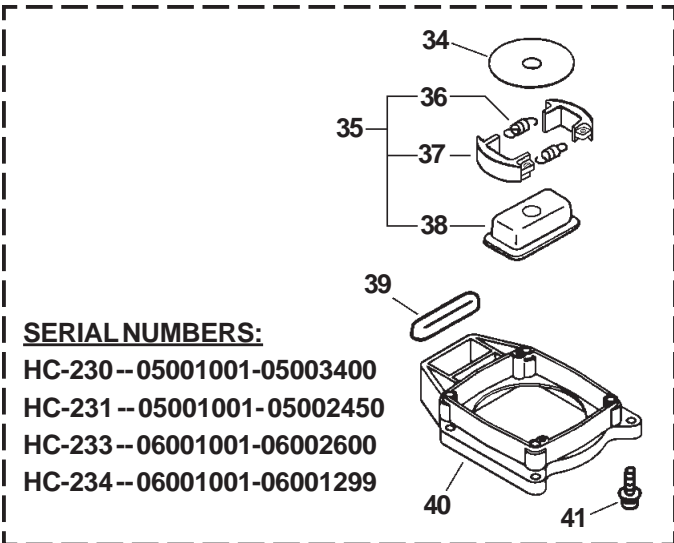
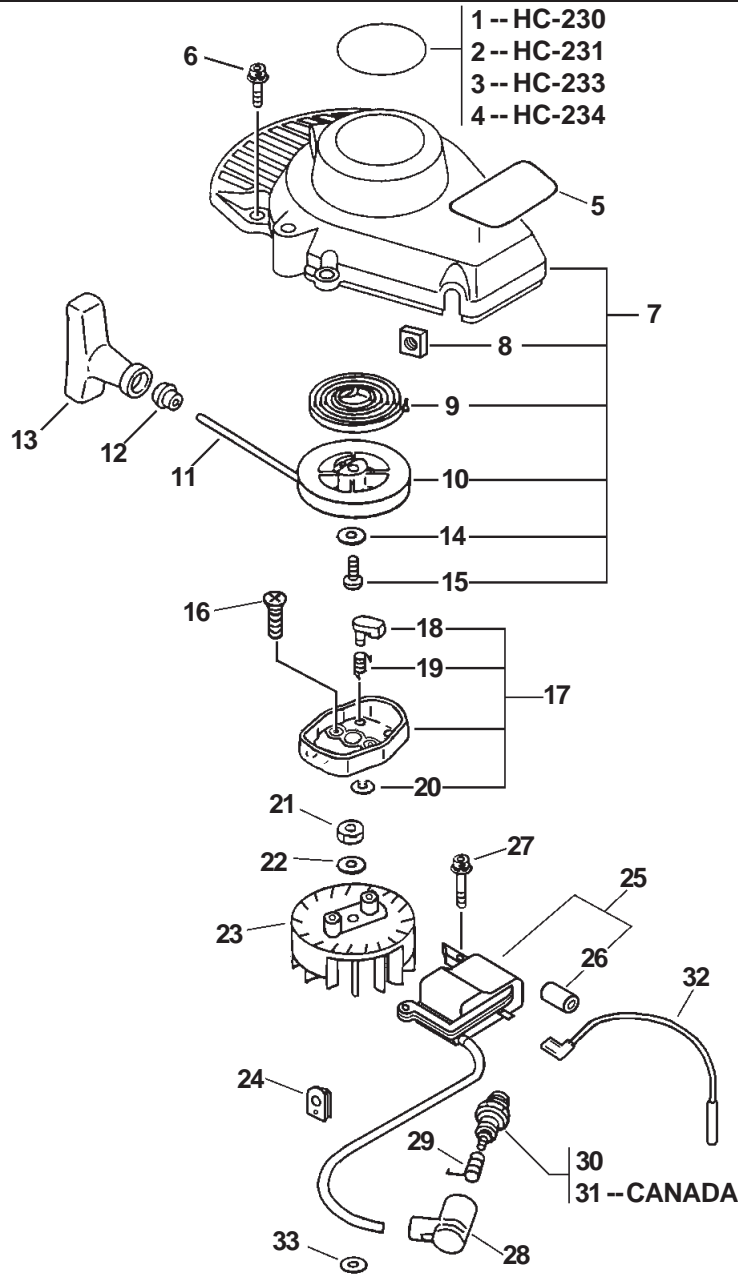
SERIAL NUMBERS: 02001001-02999999



**SERIAL NUMBERS: 02001001-02999999**

ITEM	PART NUMBER	QTY	DESCRIPTION	REMARKS
1	X503001610	1	LABEL, MODEL -- HC-233	
2	X503001620	1	LABEL, MODEL -- HC-234	
3	X505000280	1	LABEL, CAUTION	
4	90016205016	4	BOLT, 5X16	
5	A051000020	1	STARTER ASY	INCLUDES ITEMS 6-13
6	90056500005	1	SQUARE NUT	
7	17722040630	1	SPRING, REWIND	
8	17721540630	1	DRUM, STARTER	
9	17722610120	1	ROPE, STARTER - 3X1000mm	BULK OPTION: 99944440000
10	17722742030	1	GUIDE, ROPE	
11	17722827030	1	GRIP, STARTER	
12	17721442030	1	WASHER	
13	17723644330	1	SCREW	
14	90021206014	2	SCREW 6X14	
15	A052000000	1	STARTER PAWL ASY	INCLUDES ITEMS 16-18
16	17721840630	1	PAWL, STARTER	
17	17723411410	1	SPRING, RETURN	
18	90070000004	1	E-RING 4	
19	90051200008	1	NUT 8	
20	90060000008	1	WASHER 8	
21	A409000020	1	FLYWHEEL	
22	15611240630	1	GROMMET	
23	A411000010	1	COIL, IGNITION	
24	90016205016	2	BOLT 5X16	
25	15901203433	1	CAP, SPARK PLUG	
26	15901103432	1	COIL, SPARK PLUG CAP	
27	99944500071	1	PLUG, SPARK -- BPM-7Y	
28	16201056430	1	LEAD, GROUND	
29	17521410130	1	WASHER	
30	17501904920	1	PLATE, CLUTCH	
31	17500002962	1	CLUTCH ASY	INCLUDES ITEMS 32-34
32	17501805960	2	SPRING, CLUTCH	
33	17500905131	2	SHOE, CLUTCH	
34	17501607330	1	HUB, CLUTCH	
35	13192061830	1	CUSHION, FUEL TANK	
36	A570000020	1	CASE, CLUTCH	
37	90016204014	4	BOLT 4X14	

**SERIAL NUMBERS: 05001001-07999999**





**SERIAL NUMBERS: 05001001-07999999**

ITEM	PART NUMBER	QTY	DESCRIPTION	REMARKS
1	X503003100	1	LABEL, MODEL -- HC-230	
2	X503001160	1	LABEL, MODEL -- HC-231	
3	X503001610	1	LABEL, MODEL -- HC-233	
4	X503001620	1	LABEL, MODEL -- HC-234	
5	X505000280	1	LABEL, CAUTION	
6	90016205016	4	BOLT, 5X16	
7	A051000020	1	STARTER ASY	INCLUDES ITEMS 8-15
8	90056500005	1	SQUARE NUT	
9	17722040630	1	SPRING, REWIND	
10	17721540630	1	DRUM, STARTER	
11	17722661830	1	ROPE, STARTER - 3X1000mm	BULK OPTION: 99944440000
12	17722742030	1	GUIDE, ROPE	
13	17722827030	1	GRIP, STARTER	
14	17721442030	1	WASHER	
15	17723644330	1	SCREW	
16	90021206014	2	SCREW 6X14	
17	A052000000	1	STARTER PULLEY ASY	INCLUDES ITEMS 18-20
18	17721840630	1	PAWL, STARTER	
19	17723411410	1	SPRING, RETURN	
20	90070000004	1	E-RING 4	
21	90051200008	1	NUT 8	
22	90060000008	1	WASHER 8	
23	A409000130	1	FLYWHEEL	
24	15611240630	1	GROMMET	
25	A411000110	1	COIL, IGNITION	INCLUDES ITEM 26
26	V475002200	1	TUBE	
27	90016205016	2	BOLT 5X16	
28	15901203433	1	CAP, SPARK PLUG	
29	15901103432	1	TERMINAL, SPARK PLUG CAP	
30	15901019830	1	SPARK PLUG-- BPM-8Y	
31	A425000000	1	SPARK PLUG-- BPMR-8Y	CANADA MODELS: 07001001-07999999
32	V485000220	1	LEAD, GROUND	
33	17504403430	1	WASHER	

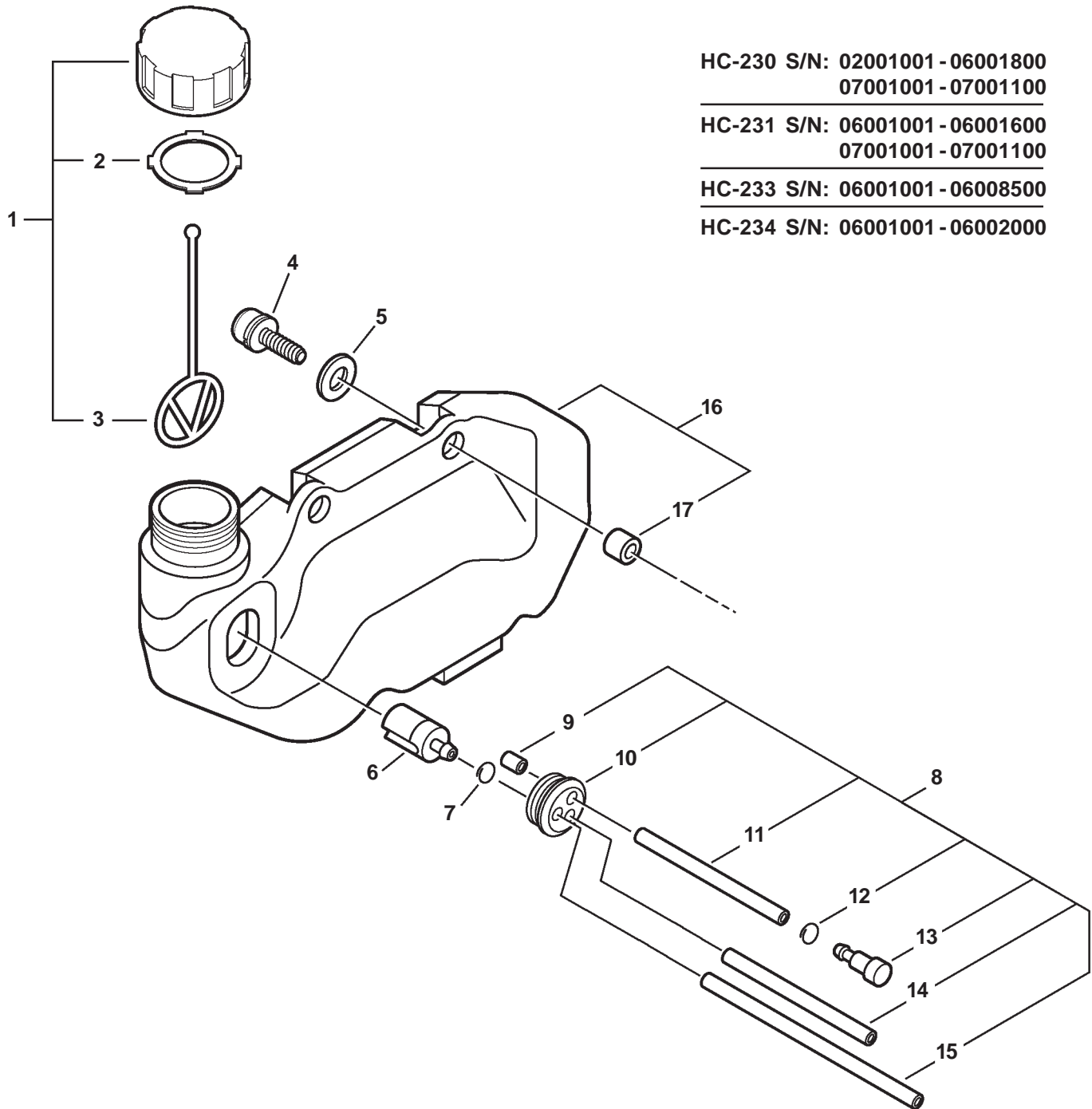
SERIAL NUMBERS: HC-230 -- 05001001-05003400, HC-231 -- 05001001-05002450  
 HC-233 -- 06001001-06002600, HC-234 -- 06001001-06001299

34	17501904920	1	PLATE, CLUTCH	
35	17500002962	1	CLUTCH ASY	INCLUDES ITEMS 35-38
36	17501805960	2	SPRING, CLUTCH	
37	17500905131	2	SHOE, CLUTCH	
38	17501607330	1	HUB, CLUTCH	
39	A570000020	1	CASE, CLUTCH	
40	13192061830	1	CUSHION, FUEL TANK	
41	90016204014	4	BOLT 4X14	

SERIAL NUMBERS: HC-230 -- 05003401-07999999, HC-231 -- 05002451-07999999  
 HC-233 -- 06002601-06999999, HC-234 -- 06001300-06999999

42	A056000090	1	CLUTCH ASY	INCLUDES ITEMS 43-44
43	17500905131	2	SHOE, CLUTCH	
44	17501805960	2	SPRING, CLUTCH	
45	A570000100	1	CASE, CLUTCH	
46	13192061830	1	CUSHION, FUEL TANK	
47	90016204014	4	BOLT 4X14	

**SERIAL NUMBERS: SEE BELOW**



HC-230 S/N: 02001001 - 06001800  
07001001 - 07001100

HC-231 S/N: 06001001 - 06001600  
07001001 - 07001100

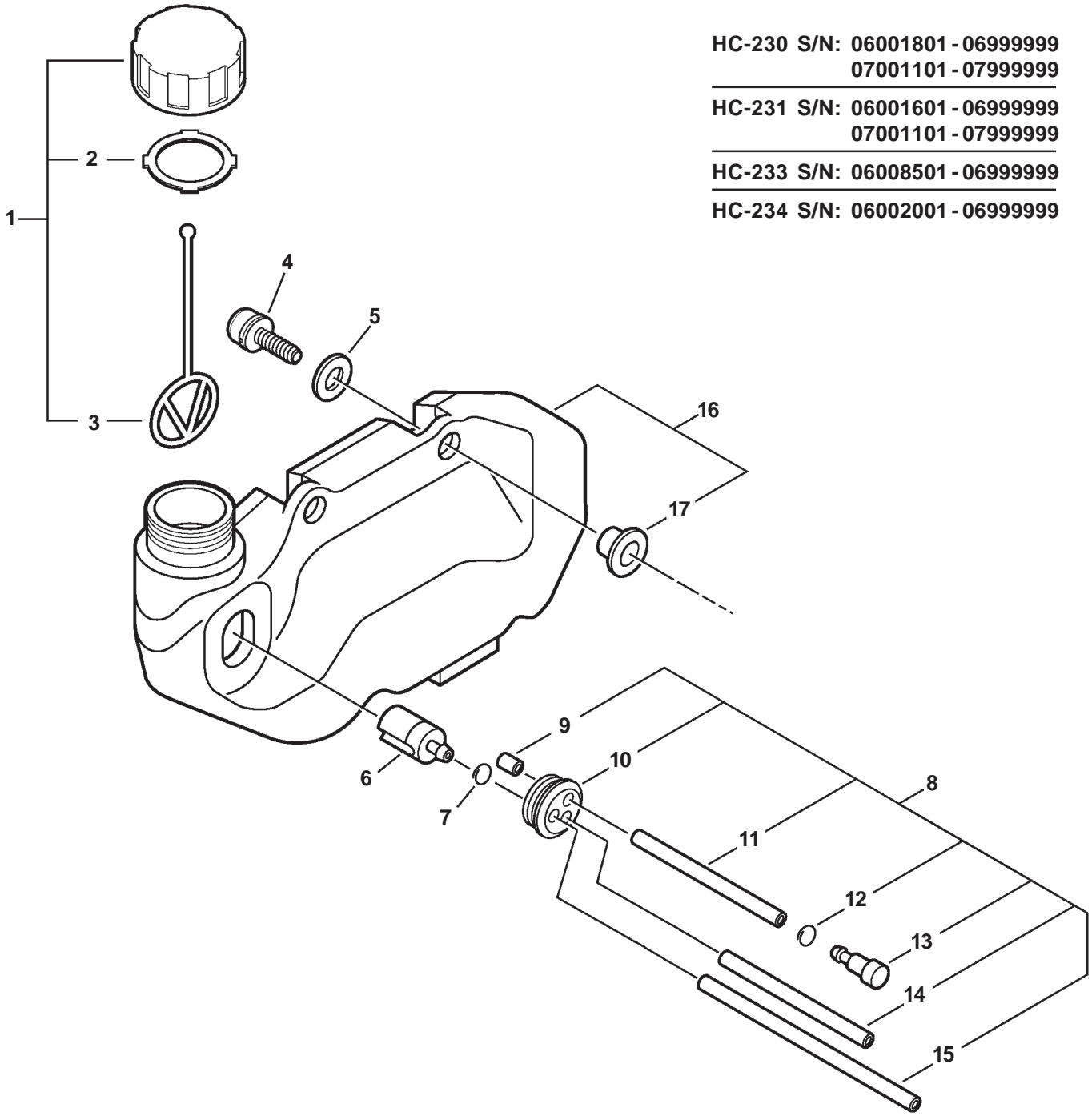
HC-233 S/N: 06001001 - 06008500

HC-234 S/N: 06001001 - 06002000

**SERIAL NUMBERS: SEE DIAGRAM**

ITEM	PART NUMBER	QTY	DESCRIPTION	REMARKS
1	13100455530	1	FUEL TANK CAP ASY	INCLUDES ITEM 2-3
2	13101655830	1	GASKET, FUEL CAP	
3	13105156030	1	CONNECTOR, FUEL CAP	
4	90016205016	2	BOLT 5X16	
5	90060300005	2	WASHER 5	
6	13120519830	1	FILTER, FUEL	
7	13201309820	1	CLIP	
8	A034000000	1	FUEL PIPE KIT	INCLUDES ITEMS 9-15
9	13201761830	2	COLLAR 3	
10	13211561830	1	GROMMET, PIPE	
11	V471000150	1	PIPE, VENT - 3X5X65mm	BULK OPTION: 90014
12	13011100530	1	CLIP	
13	A356000030	1	VALVE, CHECK	
14	V471000131	1	PIPE, RETURN - 3X5X170mm	BULK OPTION: 90014
15	V471000140	1	PIPE, FUEL - 3X5X275mm	BULK OPTION: 90014
16	A350000014	1	TANK, FUEL	INCLUDES ITEM 17
17	13104528230	2	COLLAR	

**SERIAL NUMBERS: SEE BELOW**



HC-230 S/N: 06001801 - 06999999  
07001101 - 07999999

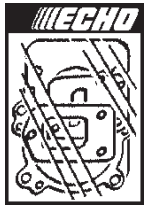
HC-231 S/N: 06001601 - 06999999  
07001101 - 07999999

HC-233 S/N: 06008501 - 06999999  
HC-234 S/N: 06002001 - 06999999

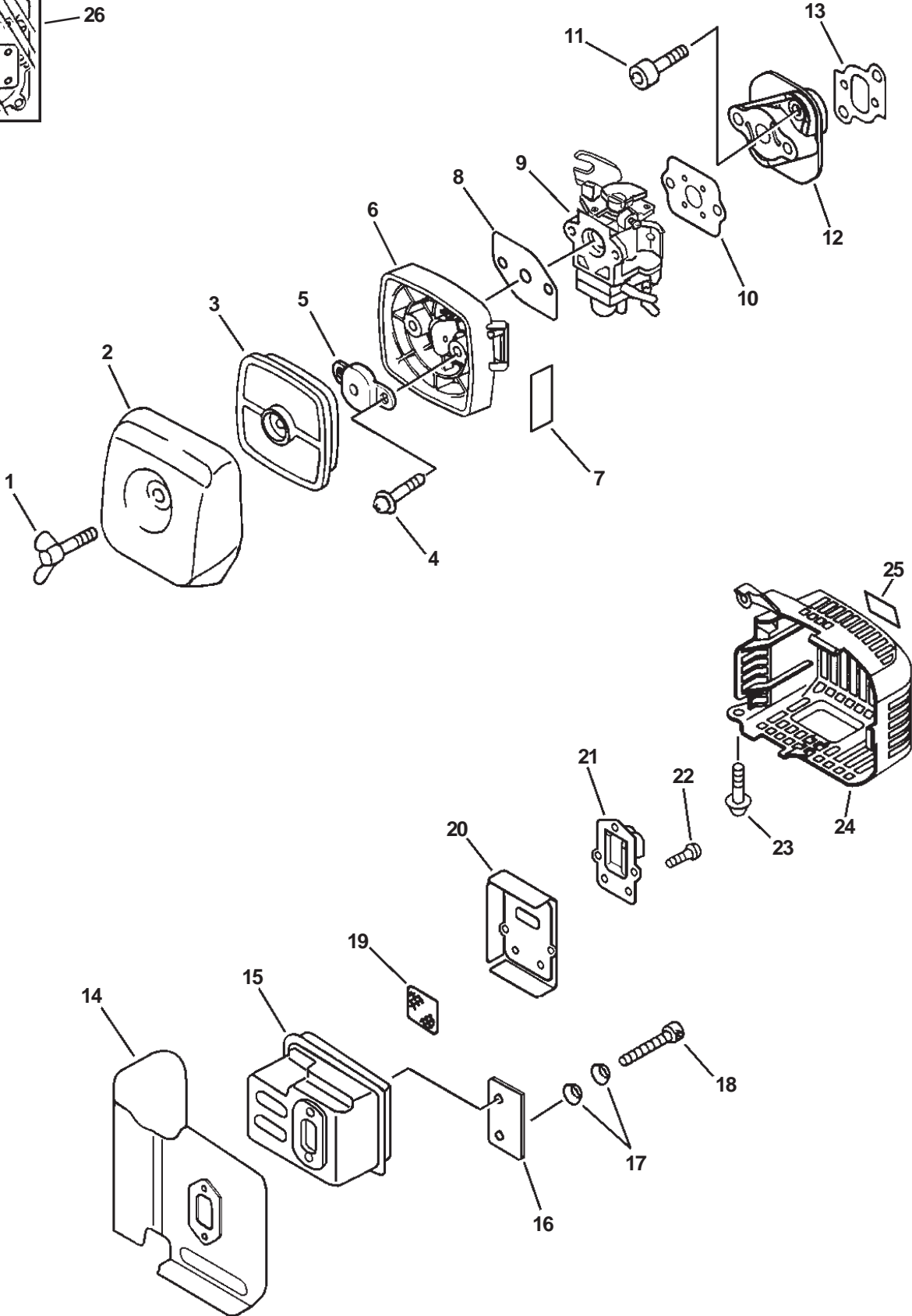
**SERIAL NUMBERS: SEE DIAGRAM**

ITEM	PART NUMBER	QTY	DESCRIPTION	REMARKS
1	13100455530	1	FUEL TANK CAP ASY	INCLUDES ITEM 2-3
2	13101655830	1	GASKET, FUEL CAP	
3	13105156030	1	CONNECTOR, FUEL CAP	
4	90016205018	2	BOLT 5X18	
5	61301907350	2	WASHER 5	
6	13120519830	1	FILTER, FUEL	
7	13201309820	1	CLIP	
8	A034000000	1	FUEL PIPE KIT	INCLUDES ITEMS 9-15
9	13201761830	2	COLLAR 3	
10	13211561830	1	GROMMET, PIPE	
11	V471000150	1	PIPE, VENT - 3X5X65mm	BULK OPTION: 90014
12	13011100530	1	CLIP	
13	A356000030	1	VALVE, CHECK	
14	V471000131	1	PIPE, RETURN - 3X5X170mm	BULK OPTION: 90014
15	V471000140	1	PIPE, FUEL - 3X5X275mm	BULK OPTION: 90014
16	A350000017	1	TANK, FUEL	INCLUDES ITEM 17
17	V353000230	2	COLLAR	

SERIAL NUMBERS: 02001001-02999999



**GASKET KIT**



**SERIAL NUMBERS: 02001001-02999999**

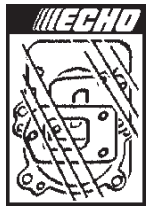
ITEM	PART NUMBER	QTY	DESCRIPTION	REMARKS
1	21041752730	1	WING BOLT	
2	13031306563	1	LID, AIR CLEANER	
3	13031054130	1	FILTER, AIR	
4	90024205060	2	SCREW 5X60	
5	12901152730	1	PLATE, PREVENT	
6	P021000991	1	CASE, AIR CLEANER	
7	89012152730	1	LABEL, CHOKE	
★ 8	V103000060	1	GASKET, INTAKE	
9	A021000160	1	CARBURETOR -- WYJ-258	
10	V103000010	1	GASKET, INTAKE	
11	90016205025	2	BOLT 5X25	
12	A200000010	1	INSULATOR, INTAKE	
★ 13	13001055930	1	GASKET, INTAKE	
★ 14	V104000060	1	SHIELD, MUFFLER	
15	A300000141	1	MUFFLER	
16	V150000371	1	PLATE, EYE	
17	V347000000	4	WASHER, CONICAL	
18	90010505055	2	BOLT 5X55	
19	14586240630	1	SCREEN, MUFFLER	
★ 20	V104000360	1	GASKET, EXHAUST	
21	A313000130	1	GUIDE, EXHAUST	
22	9136704010	5	SCREW	
23	90010605012	2	BOLT 5X12	
24	A320000001	1	COVER, MUFFLER	
25	89016006361	1	LABEL, CAUTION	

★ Also Included In GASKET KIT & SHORT BLOCK

26	P021002240	1	GASKET KIT	
----	------------	---	------------	--

**SERIAL NUMBERS: 05001001-07999999**

**GASKET KIT**

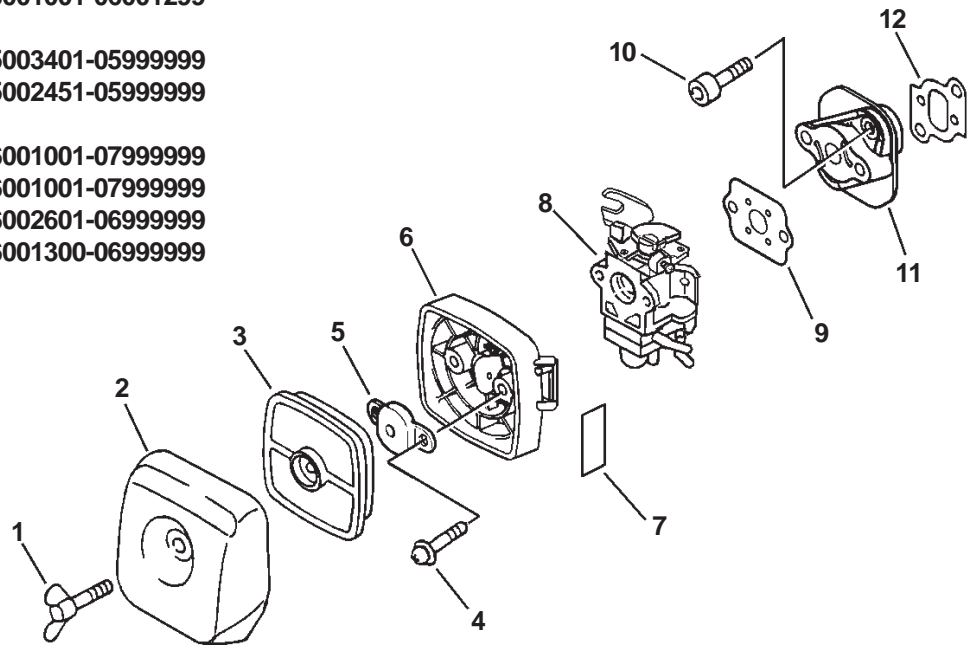


**SERIAL NUMBERS:**

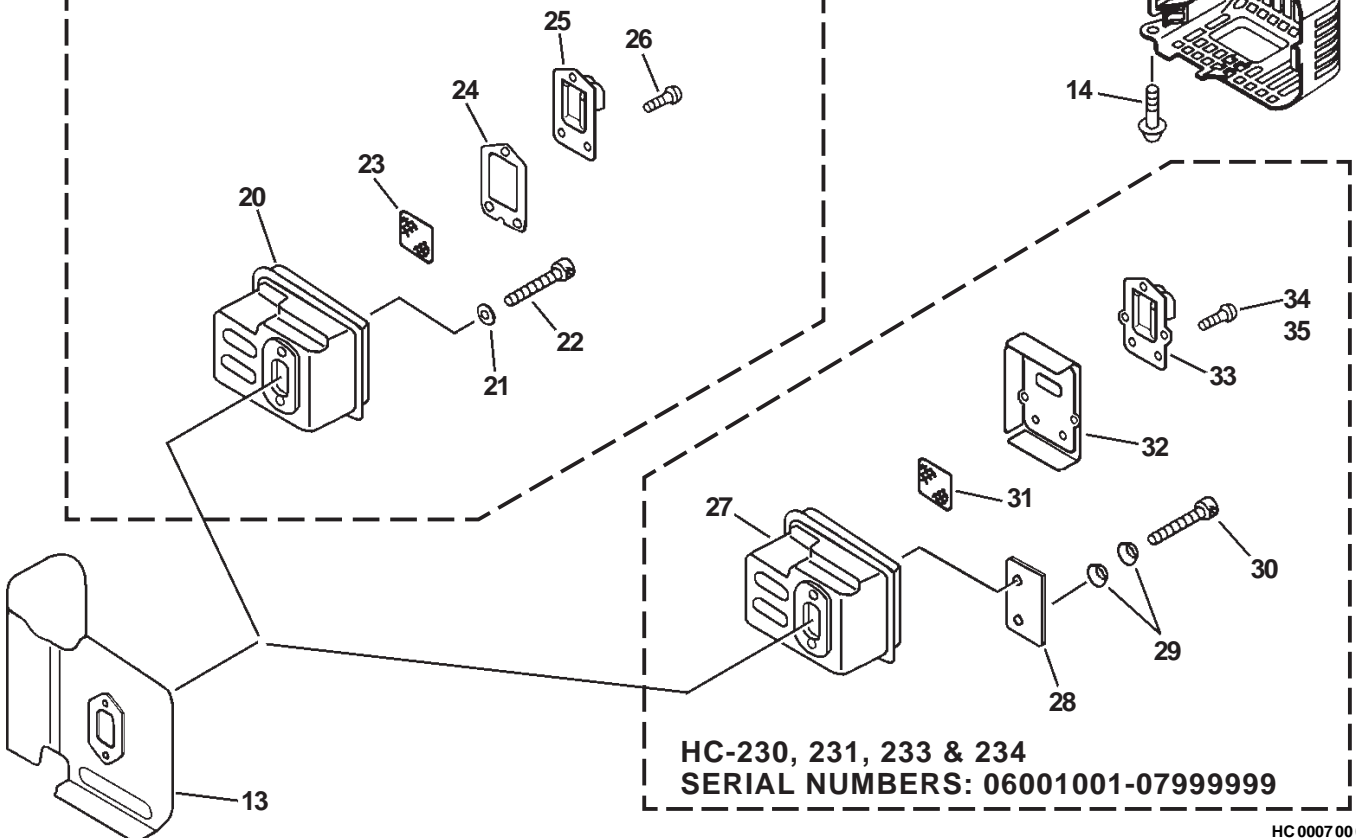
- 17-- HC-230--05001001-05003400
- HC-231--05001001-05002450
- HC-233--06001001-06002600
- HC-234--06001001-06001299

- 18-- HC-230--05003401-05999999
- HC-231--05002451-05999999

- 19-- HC-230--06001001-07999999
- HC-231--06001001-07999999
- HC-233--06002601-06999999
- HC-234--06001300-06999999



**HC-230 & HC-231 SERIAL NUMBERS: 05001001-05999999**



**HC-230, 231, 233 & 234  
SERIAL NUMBERS: 06001001-07999999**



**SERIAL NUMBERS: 05001001-07999999**

ITEM	PART NUMBER	QTY	DESCRIPTION	REMARKS
1	21041752730	1	WING BOLT	
2	13031306563	1	LID, AIR CLEANER	
3	13031054130	1	FILTER, AIR	
4	90024205060	2	SCREW 5X60	
5	12901152730	1	PLATE, PREVENT	
6	P021000991	1	CASE, AIR CLEANER	
7	89012152730	1	LABEL, CHOKE	
8	A021000370	1	CARBURETOR -- WYJ-314	
★ 9	V103000010	1	GASKET, INTAKE	
10	90016205025	2	BOLT 5X25	
11	A200000010	1	INSULATOR, INTAKE	
★ 12	13001055930	1	GASKET, INTAKE	
★ 13	V104000060	1	SHIELD, MUFFLER	
14	90010605012	2	BOLT 5X12	
15	A320000002	1	COVER, MUFFLER	
16	89016006361	1	LABEL, CAUTION	

SERIAL NUMBERS:

- HC-230 -- 05001001-05003400
- HC-231 -- 05001001-05002450
- HC-233 -- 06001001-06002600
- HC-234 -- 06001001-06001299

17	P021003880	1	GASKET KIT	
----	------------	---	------------	--

SERIAL NUMBERS:

- HC-230 -- 05003401-05999999
- HC-231 -- 05002451-05999999

18	P021006450	1	GASKET KIT	
----	------------	---	------------	--

SERIAL NUMBERS:

- HC-230 -- 06001001-07999999
- HC-231 -- 06001001-07999999
- HC-233 -- 06002601-06999999
- HC-234 -- 06001300-06999999

19	P021006470	1	GASKET KIT	
----	------------	---	------------	--

HC-230 & 231 SERIAL NUMBERS: 05001001-05999999

20	14580642030	1	MUFFLER	
21	90060000005	2	WASHER 5	
22	90010505055	2	BOLT 5X55	
23	14586240630	1	SCREEN, MUFFLER	
★ 24	14586642031	1	GASKET, EXHAUST	
25	A313000350	1	GUIDE, EXHAUST	
26	90024204010	3	SCREW 4X10	

HC-230, 231, 233 & 234 SERIAL NUMBERS: 06001001-07999999

27	A300000141	1	MUFFLER	
28	V150000371	1	PLATE, EYE	
29	V347000000	4	WASHER, CONICAL	
30	90010505055	2	BOLT 5X55	
31	14586240630	1	SCREEN, MUFFLER	
★ 32	V104000360	1	GASKET, EXHAUST	
33	A313000130	1	GUIDE, EXHAUST	
34	9136704010	5	SCREW 4X10	

# HC-230, 231, 233, 234

## HANDLE, STOP SWITCH, THROTTLE CABLE

### SERIAL NUMBERS:

HC-230: 05001001-05003400

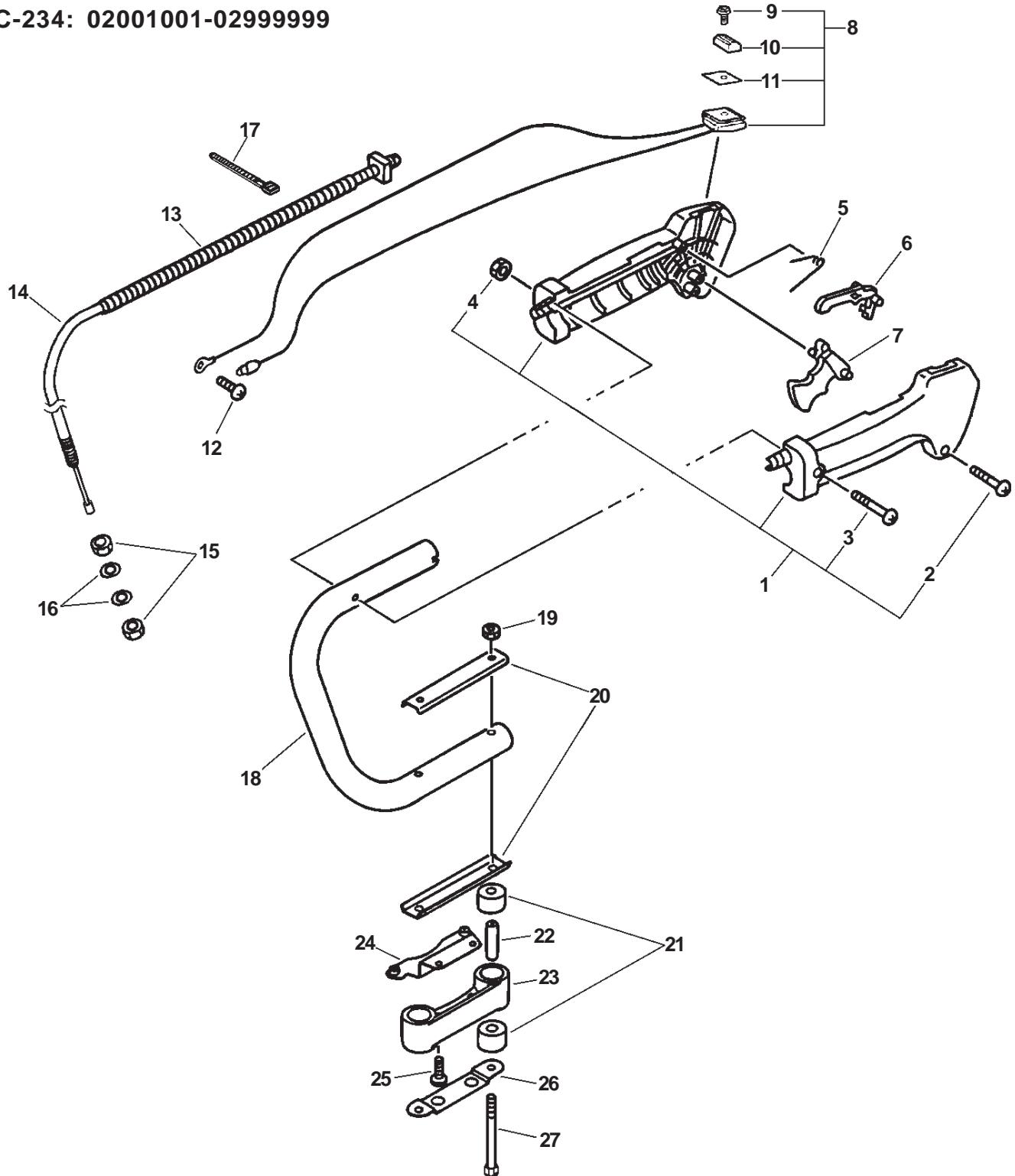
HC-231: 05001001-05002450

HC-233: 02001001-02999999

HC-233: 06001001-06002600

HC-234: 06001001-06001299

HC-234: 02001001-02999999



# HC-230, 231, 233, 234

HANDLE, STOP SWITCH, THROTTLE CABLE

SERIAL NUMBERS:	SERIAL NUMBERS:
HC-230: 05001001-05003400	HC-233: 06001001-06002600
HC-231: 05001001-05002450	HC-234: 02001001-02999999
HC-233: 02001001-02999999	HC-234: 06001001-06001299

ITEM	PART NUMBER	QTY	DESCRIPTION	REMARKS
1	35110247530	1	FRONT HANDLE GRIP ASY	INCLUDES ITEMS 2-4
2	90024603025	4	SCREW 3X25	
3	90022005030	1	SCREW 5X30	
4	90050000005	1	NUT 5	
5	17801335631	1	SPRING, THROTTLE LOCK	
6	17801205960	1	LOCKOUT, THROTTLE	
7	17801005960	1	TRIGGER, THROTTLE	
8	A440000121	1	SWITCH, IGNITION	INCLUDES ITEMS 9-11
9	9154503010	1	SCREW	
10	16341049231	1	KNOB, SWITCH	
11	89015712330	1	LABEL - STOP	
12	90024205010	1	SCREW 5X10	
13	V475000840	1	TUBE	
14	V430000090	1	CABLE, THROTTLE	
15	90050200006	2	NUT 6	
16	90060000006	2	WASHER	SERIAL NUMBERS: 02001001-02999999 <u>ONLY</u>
17	V495000300	1	BAND	
18	35120508961	1	HANDLE, REAR	
19	90056000005	2	LOCKNUT 5	
20	35124301260	2	BRACKET, HANDLE	
21	35122801260	4	CUSHION	
22	35124101260	2	SPACER	
23	35121705960	1	SUPPORTER, HANDLE	
24	61043801260	1	PLATE	
25	90023805016	2	SCREW 5X16	
26	35124201261	1	PLATE, CUSHION	
27	90010505060	2	BOLT 5X60	

# HC-230, 231, 233, 234

## HANDLE, STOP SWITCH, THROTTLE CABLE

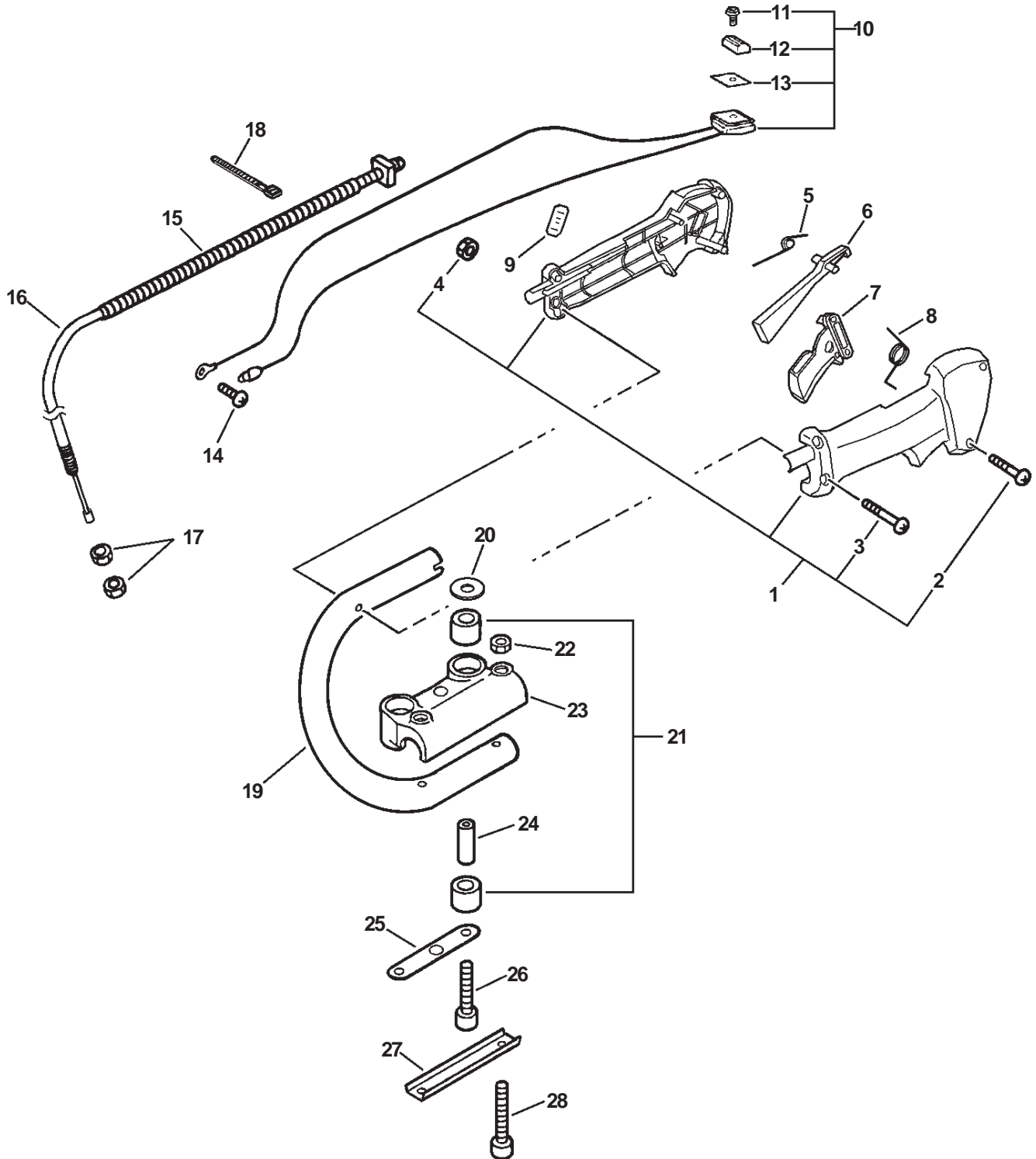
### SERIAL NUMBERS:

HC-230: 05003401-05003793

HC-231: 05002451-05002722

HC-233: 06002601-06003300

HC-234: 06001300-06001395



**HC-230, 231, 233, 234**

HANDLE, STOP SWITCH, THROTTLE CABLE

<b>SERIAL NUMBERS:</b>		<b>SERIAL NUMBERS:</b>	
<b>HC-230:</b>	<b>05003401-05003793</b>	<b>HC-233:</b>	<b>06002601-06003300</b>
<b>HC-231:</b>	<b>05002451-05002722</b>	<b>HC-234:</b>	<b>06001300-06001395</b>

<b>ITEM</b>	<b>PART NUMBER</b>	<b>QTY</b>	<b>DESCRIPTION</b>	<b>REMARKS</b>
1	P021002611	1	FRONT HANDLE GRIP ASY	INCLUDES ITEMS 2-4
2	90025304016	3	SCREW 4X16	
3	90022005030	1	SCREW 5X30	
4	90050000005	1	NUT 5	
5	V452000050	1	SPRING, THROTTLE LOCK	
6	C460000011	1	LOCKOUT, THROTTLE	
7	C450000022	1	TRIGGER, THROTTLE	
8	V452000060	1	SPRING, THROTTLE TRIGGER	
9	V162000130	1	PLUG	
10	A440000121	1	SWITCH, IGNITION	INCLUDES ITEMS 11-13
11	9154503010	1	SCREW	
12	16341049231	1	KNOB, SWITCH	
13	89015712330	1	LABEL - STOP	
14	90024205010	1	SCREW 5X10	
15	V475000840	1	TUBE	
16	V430000090	1	CABLE, THROTTLE	
17	90050200006	2	NUT 6	
18	17812143230	2	BAND	
19	C410000170	1	HANDLE, REAR	
20	30021700610	2	WASHER	
21	35122807760	4	CUSHION	
22	90050000005	2	NUT 5	
23	35121707761	1	SUPPORTER, HANDLE	
24	35124101260	2	SPACER	
25	35124206961	1	PLATE, EYE	
26	90016205045	2	BOLT 5X45	
27	35124301260	1	BRACKET	
28	90016205035	2	BOLT 5X35	

# HC-230, 231, 233, 234

## HANDLE, STOP SWITCH, THROTTLE CABLE

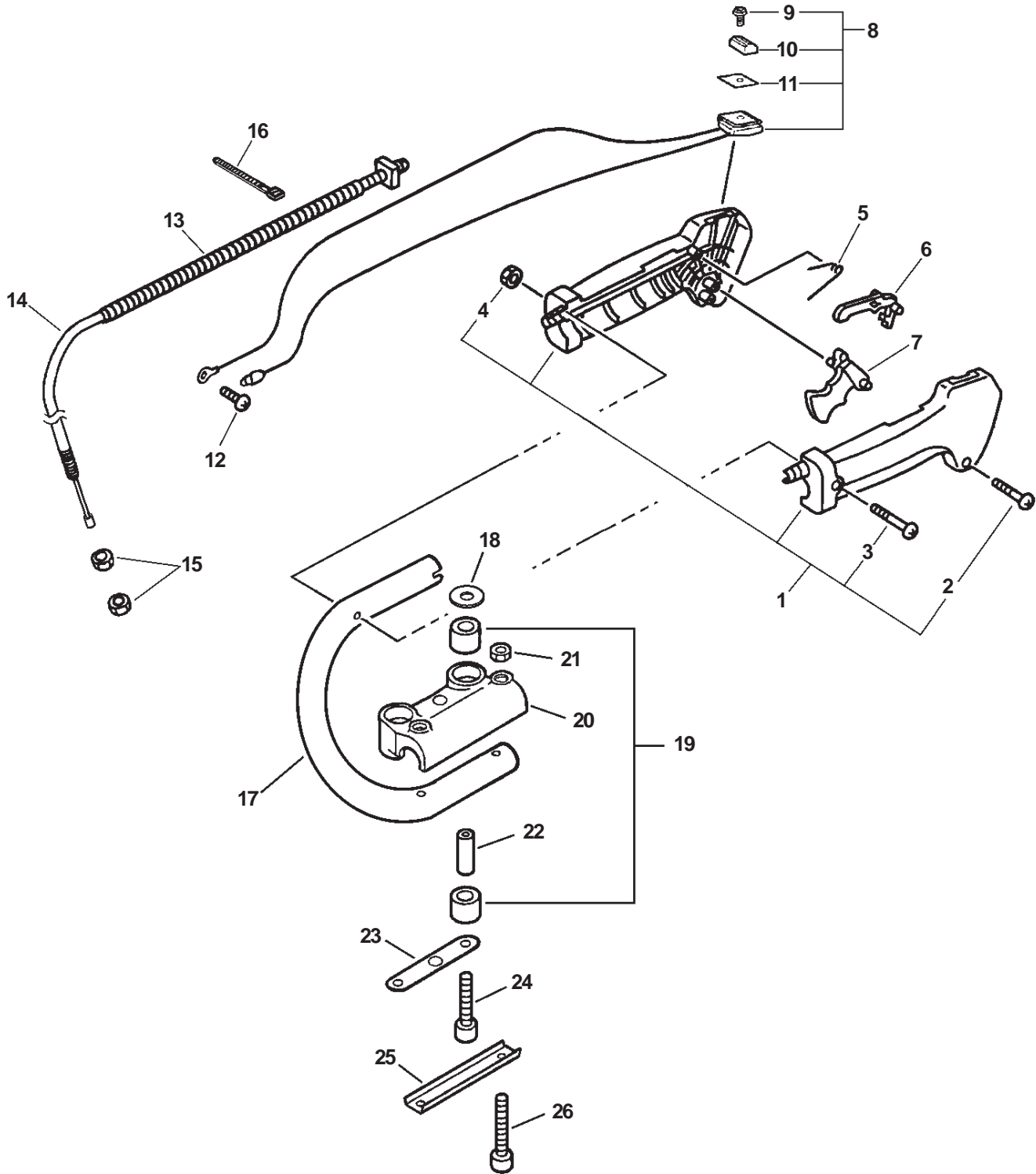
### SERIAL NUMBERS:

HC-230: 05003794-07999999

HC-231: 05002723-07999999

HC-233: 06003301-06999999

HC-234: 06001396-06999999



# HC-230, 231, 233, 234

HANDLE, STOP SWITCH, THROTTLE CABLE

SERIAL NUMBERS:		SERIAL NUMBERS:	
HC-230:	05003794-07999999	HC-233:	06003301-06999999
HC-231:	05002723-07999999	HC-234:	06001396-06999999

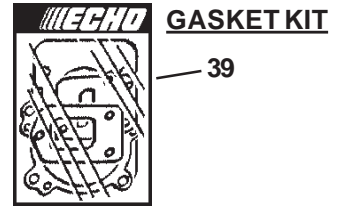
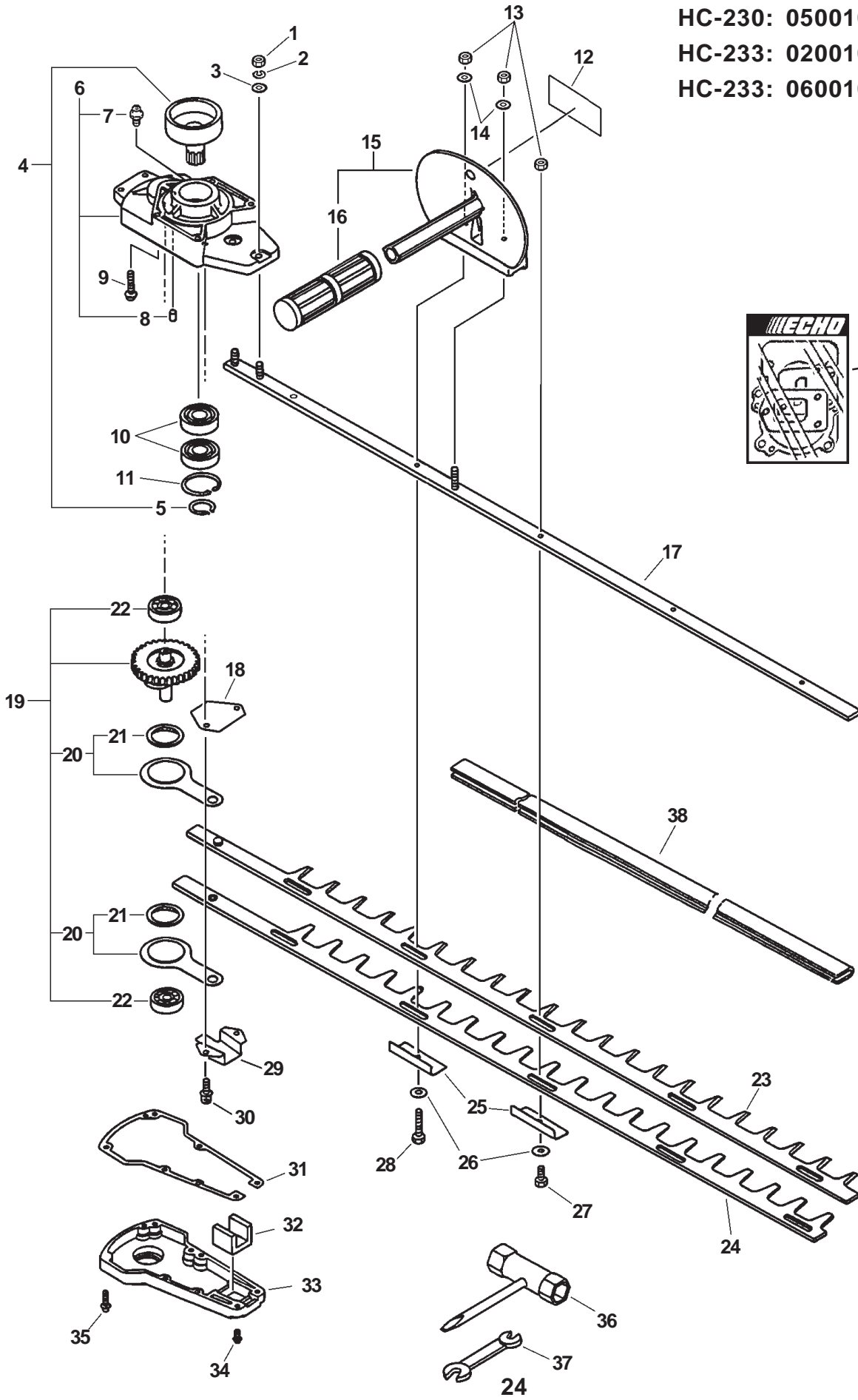
ITEM	PART NUMBER	QTY	DESCRIPTION	REMARKS
1	35110247530	1	FRONT HANDLE GRIP ASY	INCLUDES ITEMS 2-4
2	90024603025	4	SCREW 3X25	
3	90022005030	1	SCREW 5X30	
4	90050000005	1	NUT 5	
5	17801335631	1	SPRING, THROTTLE LOCK	
6	17801205960	1	LOCKOUT, THROTTLE	
7	17801005960	1	TRIGGER, THROTTLE	
8	A440000121	1	SWITCH, IGNITION	INCLUDES ITEMS 9-11
9	9154503010	1	SCREW	
10	16341049231	1	KNOB, SWITCH	
11	89015712330	1	LABEL - STOP	
12	90024205010	1	SCREW 5X10	
13	V475000840	1	TUBE	
14	V430000090	1	CABLE, THROTTLE	
15	90050200006	2	NUT 6	
16	17812143230	1	BAND	
17	C410000170	1	HANDLE, REAR	
18	30021700610	2	WASHER	
19	35122807760	4	CUSHION	
20	90050000005	2	NUT 5	
21	35121707761	1	SUPPORTER, HANDLE	
22	35124101260	2	SPACER	
23	35124206961	1	PLATE, EYE	
24	90016205045	2	BOLT 5X45	
25	35124301260	1	BRACKET	
26	90016205035	2	BOLT 5X35	

SERIAL NUMBERS:

HC-230: 05001001-05003400

HC-233: 02001001-02999999

HC-233: 06001001-06002600





**SERIAL NUMBERS:**

**HC-230: 05001001-05003400**

**HC-233: 02001001-02999999**

**HC-233: 06001001-06002600**

ITEM	PART NUMBER	QTY	DESCRIPTION	REMARKS
1	90050000006	2	NUT 6	
2	90060500006	2	SPRING WASHER 6	
3	90060000006	2	WASHER 6	
4	17500301261	1	CLUTCHDRUM KIT	INCLUDES ITEM 5
5	90070100016	1	CIRCLIP 19	
6	61040708561	1	GEAR CASE	INCLUDES ITEMS 7-8
7	88011010860	1	NIPPLE, GREASE	
8	10021503930	2	DOWEL PIN	
9	90016205030	4	BOLT 5X30	
10	90080206003	2	BEARING, BALL 6003	
11	90070200035	1	CIRCLIP 35	
12	X505000270	1	LABEL, CAUTION	
13	43302206460	6	NUT	
14	90060300006	2	WASHER 6	
15	35120002060	1	FRONT HANDLE ASY	INCLUDES ITEM 16
16	35101201260	1	GRIP, HANDLE	
17	X425000100	1	SUPPORT, CUTTER	
18	61044008960	1	GUIDE, CUTTER	
19	61030209661	1	GEAR ASY	INCLUDES ITEMS 20-22
20	61030701261	2	CONNECTING ROD ASY	INCLUDES ITEM 21
21	61032701261	2	BEARING, NEEDLE	
22	90081006200	2	BEARING, BALL 6200	
23	X411000080	1	CUTTER - UPPER	
24	X411000090	1	CUTTER - LOWER	
25	69921302062	5	INSULATOR	
26	69911801261	5	WASHER	
27	69911502062	4	BOLT	
28	35102702060	1	BOLT	
29	61044108960	1	GUIDE, CUTTER	
30	90016205014	2	BOLT 5X14	
★ 31	61041401260	1	GASKET, GEAR	
32	61042601260	1	SEAL	
33	61043108960	1	LID, GEAR CASE	
34	90024204014	4	SCREW 4X14	
35	90024204022	2	SCREW 4X22	
36	89541006960	1	WRENCH, W/SCREWDRIVER	
37	89511200330	1	SPANNER 8X10	
38	89852302961	1	COVER, BLADE	

★ Also Included In GASKET KIT

SERIAL NUMBERS:

HC-233 -- 02001001-02999999

39	P021002240	1	GASKET KIT	
----	------------	---	------------	--

SERIAL NUMBERS:

HC-230 -- 05001001-05003400

HC-233 -- 06001001-06002600

39	P021003880	1	GASKET KIT	
----	------------	---	------------	--



**SERIAL NUMBERS:**

**HC-230: 05003401-07999999**

**HC-233: 06002601-06999999**

ITEM	PART NUMBER	QTY	DESCRIPTION	REMARKS
1	A556000301	1	DRUM, CLUTCH	
2	C531000210	1	GEAR CASE - UPPER	
3	90051800006	2	FLANGE NUT	
4	88011010860	1	NIPPLE, GREASE	
5	90016206018	3	BOLT 6X18	
6	90081206200	1	BEARING, BALL 6200	
7	V650000160	1	GEAR, SPUR	
8	90080400608	1	BEARING, BALL 608	
9	V150001240	1	PLATE, EYE	
10	X425000130	1	SUPPORT, CUTTER	
11	9110306030	2	BOLT 6X30	
12	X505000270	1	LABEL, CAUTION	
13	43302206460	6	NUT	
14	90060300006	2	WASHER 6	
15	9110306030	1	BOLT 6X30	
16	90081006200	2	BEARING, BALL 6200	
17	C532000080	2	ROD, CONNECTING	INCLUDES ITEM 18
18	61032701261	2	BEARING, NEEDLE	
19	V3070000050	2	SPACER	
20	V0600000030	1	GEAR, SPUR	
21	X411000200	1	CUTTER, UPPER - 30"	
22	X411000210	1	CUTTER, LOWER - 30"	
23	69921302062	5	INSULATOR	
24	69911801261	5	WASHER	
25	69911502062	3	BOLT	
26	35102702060	1	BOLT	
27	69911508960	1	BOLT, CUTTER	
28	90016304016	2	BOLT 4X16	
29	C538000090	1	GUIDE, CUTTER	
★ 30	V1100000030	1	GASKET, GEAR CASE	
31	C542000020	1	PLATE, GEAR CASE	
32	V541000100	1	SEAL	
33	C531000220	1	GEAR CASE - LOWER	
34	90016304016	6	BOLT 4X16	
35	89852302961	1	COVER, BLADE	
36	89541006960	1	WRENCH, W/SCREWDRIVER	

★ Also Included In GASKET KIT

SERIAL NUMBERS:

HC-230--05003401-05999999

37	P021006450	1	GASKET KIT	
----	------------	---	------------	--

SERIAL NUMBERS:

HC-230--06001001-07999999

HC-233--06002601-06999999

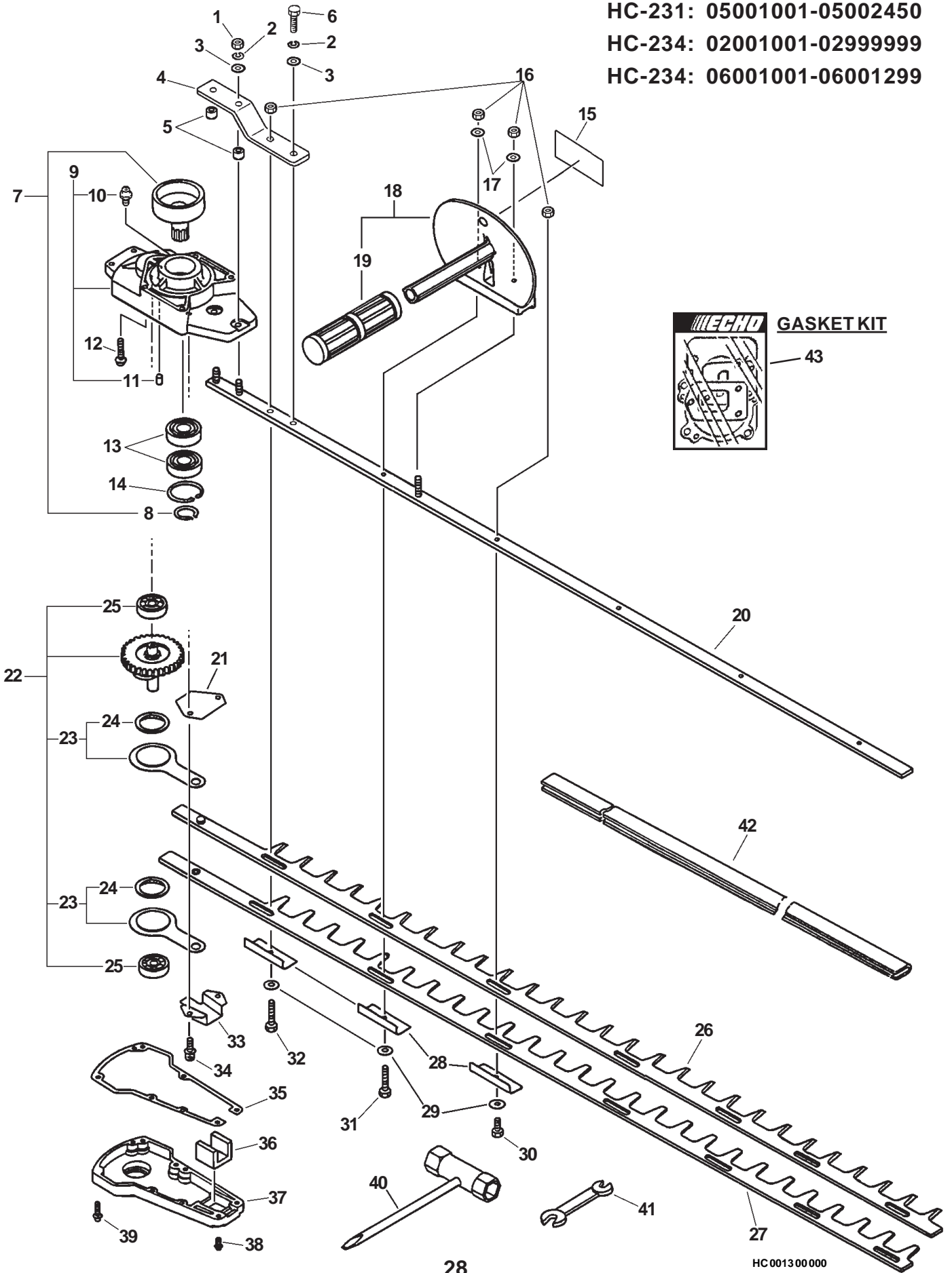
38	P021006470	1	GASKET KIT	
----	------------	---	------------	--

SERIAL NUMBERS:

HC-231: 05001001-05002450

HC-234: 02001001-02999999

HC-234: 06001001-06001299



**SERIAL NUMBERS:**

HC-231: 05001001-05002450	
HC-234: 02001001-02999999	
HC-234: 06001001-06001299	

ITEM	PART NUMBER	QTY	DESCRIPTION	REMARKS
1	90050000006	2	NUT 6	
2	90060500006	3	WASHER, SPRING 6	
3	90060000006	3	WASHER 6	
4	69921308960	1	PLATE, SUPPORT	
5	69911108960	2	SPACER, CUTTER	
6	90010006010	1	BOLT, 6X10	
7	17500301261	1	CLUTCH DRUM KIT	INCLUDES ITEM 8
8	90070100016	1	CIRCLIP 19	
9	61040708561	1	GEAR CASE	INCLUDES ITEMS 10-11
10	88011010860	1	NIPPLE, GREASE	
11	10021503930	2	PIN, DOWEL	
12	90016205030	4	BOLT, 5X30	
13	90080206003	2	BEARING, BALL 6003	
14	90070200035	1	CIRCLIP 37	
15	X505000270	1	LABEL, CAUTION	
16	43302206460	7	NUT	
17	90060300006	2	WASHER 6	
18	35120002060	1	FRONT HANDLE ASY	INCLUDES ITEM 19
19	35101201260	1	GRIP, HANDLE	
20	X425000051	1	SUPPORT, CUTTER	
21	61044008960	1	GUIDE, CUTTER	
22	61030209661	1	GEAR ASY	INCLUDES ITEMS 23-25
23	61030701261	2	CONNECTING ROD ASY	INCLUDES ITEM 24
24	61032701261	2	BEARING, NEEDLE	
25	90081006200	2	BEARING, BALL 6200	
26	X411000150	1	CUTTER - UPPER - 40"	
27	X411000100	1	CUTTER - LOWER - 40"	
28	69921302062	7	INSULATOR	
29	69911801261	7	WASHER	
30	69911502062	5	BOLT	
31	35102702060	1	BOLT	
32	69911508960	1	BOLT	
33	61044108960	1	GUIDE, CUTTER	
34	90016204016	2	BOLT, 5X14	
★ 35	61041401260	1	GASKET, GEAR	
36	61042601260	1	SEAL	
37	61043108960	1	LID, GEAR CASE	
38	90024204014	4	SCREW, 4X14	
39	90024204022	2	SCREW, 4X22	
40	89541006960	1	WRENCH, W/SCREWDRIVER	
41	89511200330	1	SPANNER 8X10	
42	89852308960	1	COVER, BLADE	

★ Also Included In GASKET KIT

SERIAL NUMBERS: 02001001-02999999

43	P021002240	1	GASKET KIT	
----	------------	---	------------	--

SERIAL NUMBERS:

HC-231 -- 05001001-05002450

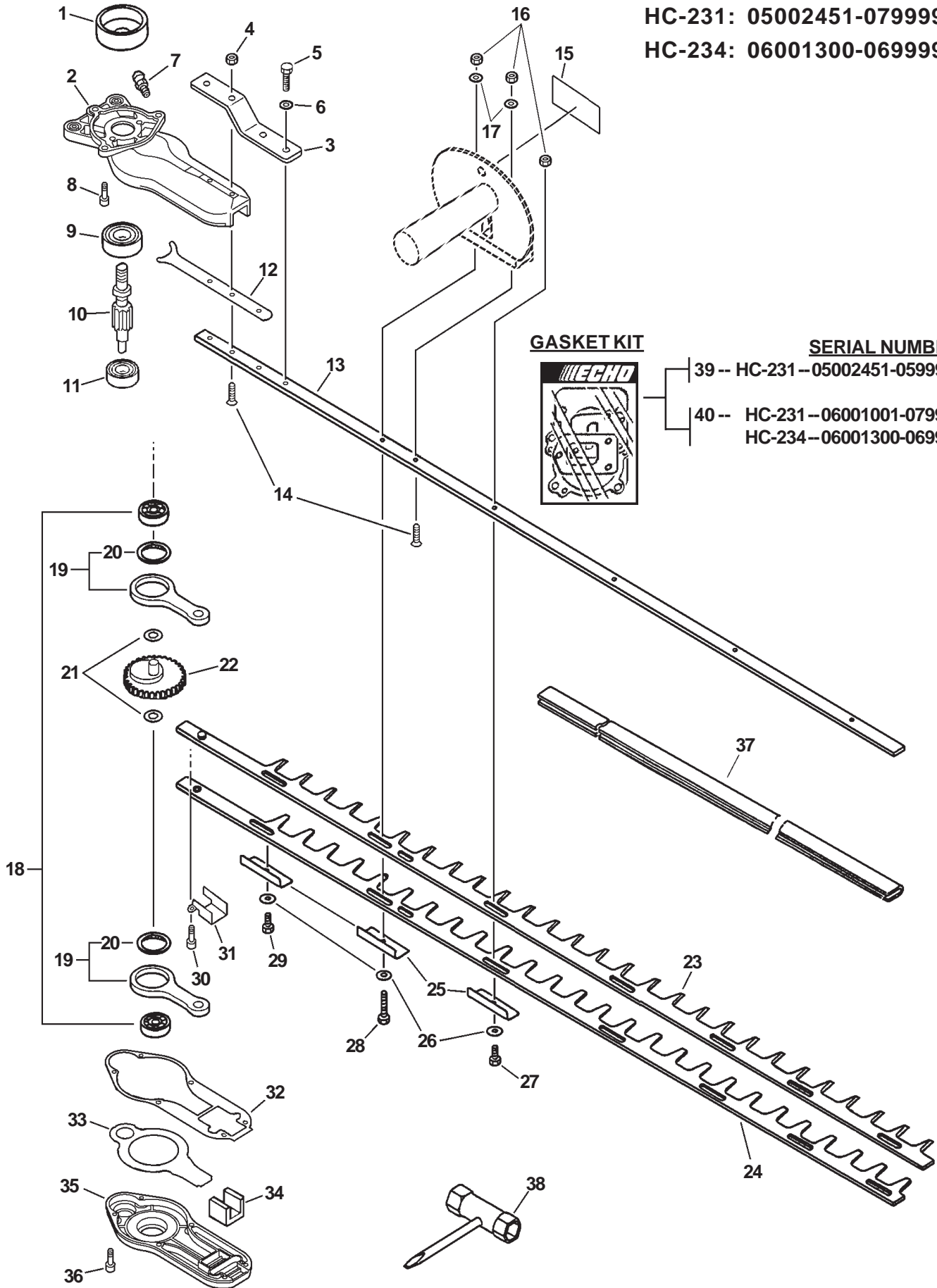
HC-234 -- 06001001-06001299

43	P021003880	1	GASKET KIT	
----	------------	---	------------	--

## SERIAL NUMBERS:

HC-231: 05002451-07999999

HC-234: 06001300-06999999



**SERIAL NUMBERS:**

**HC-231: 05002451-07999999**

**HC-234: 06001300-06999999**

ITEM	PART NUMBER	QTY	DESCRIPTION	REMARKS
1	A556000301	1	DRUM, CLUTCH	
2	C531000210	1	GEAR CASE - UPPER	
3	69921308960	1	PLATE, ANGLE	
4	90051800006	2	FLANGE NUT 6	
5	90016206012	1	BOLT 6X12	
6	90063000006	1	WASHER	
7	88011010860	1	NIPPLE, GREASE	
8	90016206018	3	BOLT 6X18	
9	90081206200	1	BEARING, BALL 6200	
10	V650000160	1	GEAR, SPUR	
11	90080400608	1	BEARING, BALL 608	
12	V150001240	1	PLATE, EYE	
13	X425000140	1	SUPPORT, CUTTER	
14	9110306030	3	BOLT 6X30	
15	X505000270	1	LABEL, CAUTION	
16	43302206460	7	NUT	
17	90060300006	2	WASHER 6	
18	90081006200	2	BEARING, BALL 6200	
19	C532000080	2	ROD, CONNECTING	INCLUDES ITEM 20
20	61032701261	2	BEARING, NEEDLE	
21	V3070000050	2	SPACER	
22	V0600000030	1	GEAR, SPUR	
23	X411000230	1	CUTTER, UPPER - 40"	
24	X411000220	1	CUTTER, LOWER - 40"	
25	69921302063	7	INSULATOR	
26	69911801261	7	WASHER	
27	69911502062	5	BOLT	
28	35102702060	1	BOLT	
29	69911505360	1	BOLT	
30	90016304016	2	BOLT 4X16	
31	C538000090	1	GUIDE, CUTTER	
★ 32	V1100000030	1	GASKET, GEAR CASE	
33	C542000020	1	PLATE, GEAR CASE	
34	V541000100	1	SEAL	
35	C531000220	1	GEAR CASE - LOWER	
36	90016304016	6	BOLT 4X16	
37	89852308960	1	COVER, BLADE	
38	89541006960	1	WRENCH, W/SCREWDRIVER	

★ Also Included In GASKET KIT

SERIAL NUMBERS:

HC-231 -- 05002451-05999999

39 P021006450 1 GASKET KIT

SERIAL NUMBERS:

HC-231 -- 06001001-07999999

HC-234 -- 06001300-06999999

40 P021006470 1 GASKET KIT

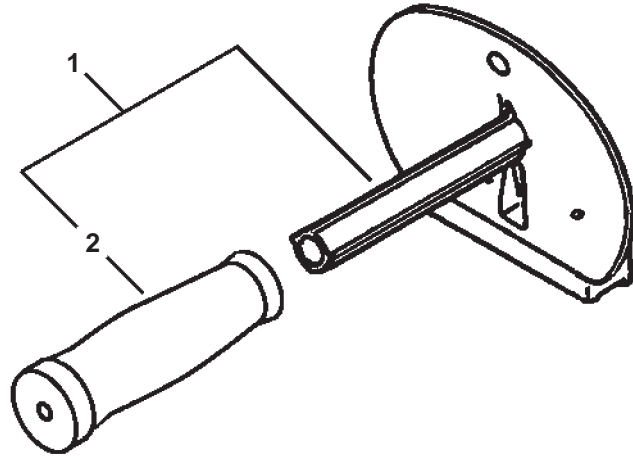
**SERIAL NUMBERS:**

HC-230: 05003401-06001040

HC-231: 05002451-05003297

HC-233: 06002601-06005485

HC-234: 06001300-06001642



HC 001500 000

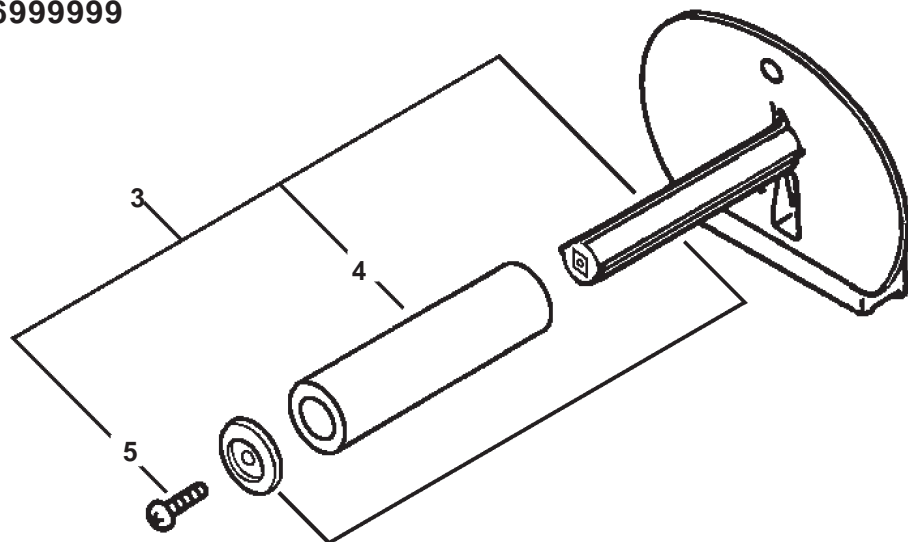
**SERIAL NUMBERS:**

HC-230: 06001041-07999999

HC-231: 05003298-07999999

HC-233: 06005486-06999999

HC-234: 06001643-06999999



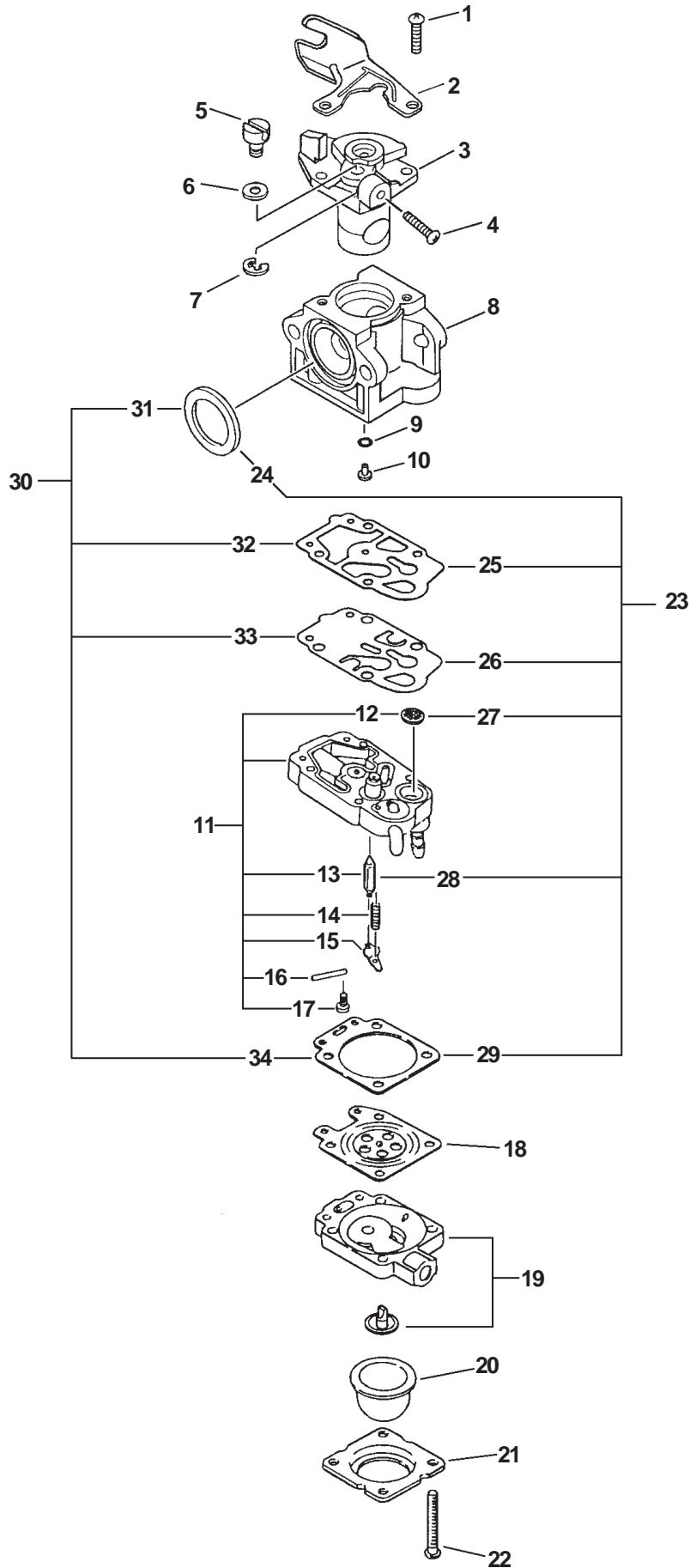
HC 001600 000





ITEM	PART NUMBER	QTY	DESCRIPTION	REMARKS
SERIAL NUMBERS:				
HC-230: 05003401-06001040				
HC-231: 05002451-05003297				
HC-233: 06002601-06005485				
HC-234: <u>06001300-06001642</u>				
1	P021006430	1	HANDLE ASY	INCLUDES ITEM 2
2	C403000070	1	GRIP, HANDLE	
SERIAL NUMBERS:				
HC-230: 06001041-07999999				
HC-231: 05003298-07999999				
HC-233: 06005486-06999999				
HC-234: <u>06001643-06999999</u>				
<b>3</b>	<b>35120007361</b>	<b>1</b>	<b>FRONT HANDLE ASY</b>	<b>INCLUDES ITEMS 4-5</b>
<b>4</b>	<b>35101207361</b>	<b>1</b>	<b>GRIP, HANDLE</b>	
5	90025305014	1	SCREW 5X14	

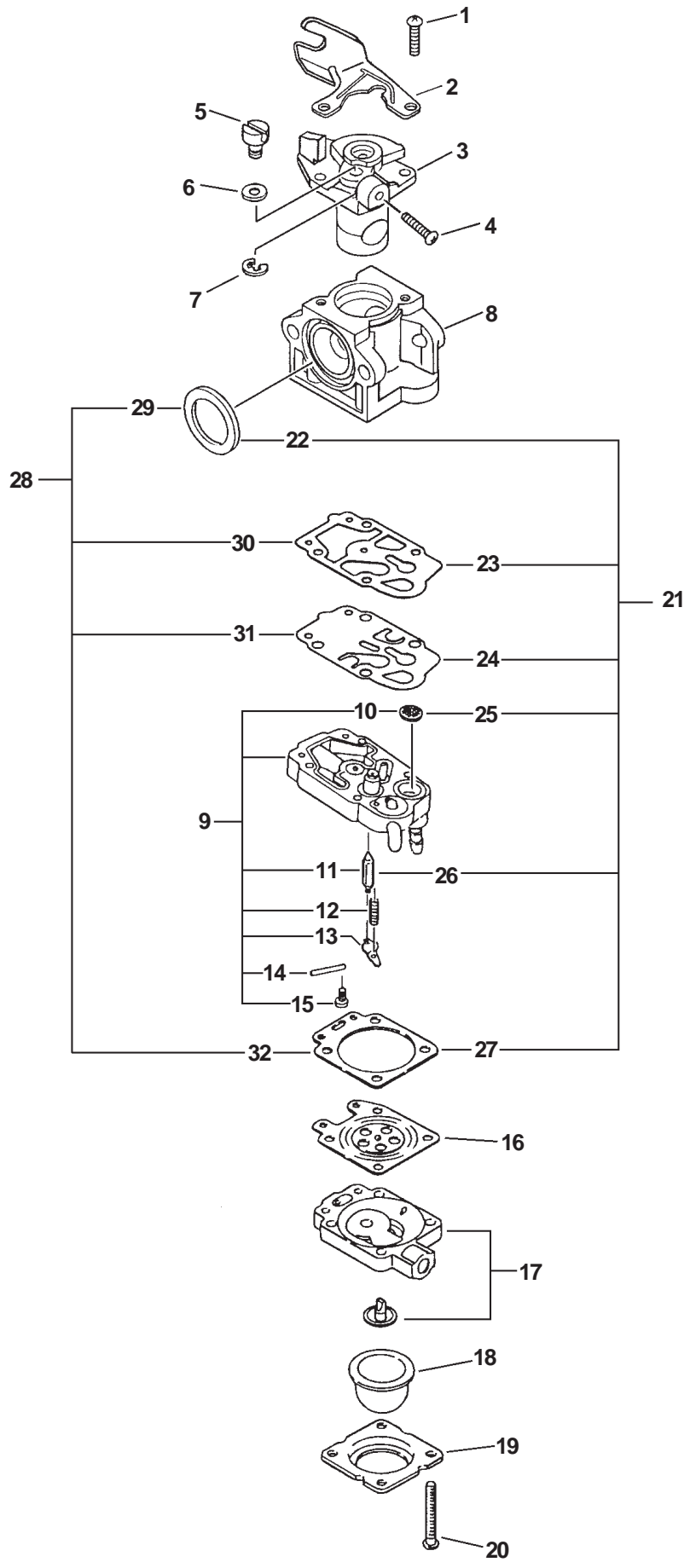
SERIAL NUMBERS: 02001001-02999999



**SERIAL NUMBERS: 02001001-02999999**

ITEM	PART NUMBER	QTY	DESCRIPTION	REMARKS
	A021000370	1	CARBURETOR -- WYJ-258	
1	12311440630	2	SCREW, CABLE BRACKET	
2	P003000180	1	BRACKET CABLE	
3	-----	1	THROTTLE VALVE ASY	NOT AVAILABLE SEPARATELY
4	12313440030	1	SCREW, IDLE ADJUST	
5	12317245130	1	SWIVEL	
6	12314954230	1	WASHER	
7	12317307930	1	CLIP	
8	-----	1	BODY, CARBURETOR	NOT AVAILABLE SEPARATELY
9	12318340630	1	O-RING	
10	P003000270	1	JET	
11	P003000290	1	PUMP BODY ASY	INCLUDES ITEMS 12-17
12	-----	1	SCREEN, INLET	
13	-----	1	VALVE, INLET NEEDLE	
14	12312205560	1	SPRING, METERING LEVER	
15	12312303930	1	LEVER, METERING	
16	12313803930	1	PIN, METERING LEVER	
17	12313905560	1	SCREW, METERING LEVER PIN	
18	P003000090	1	METERING, DIAPHRAGM	
19	12318005560	1	BODY, AIR PURGE	
20	12318140630	1	PUMP, PRIMER	
21	12314205560	1	COVER, PRIMER PUMP	
22	12311005560	4	SCREW, PUMP COVER	
23	P003000190	1	REPAIR KIT	INCLUDES ITEMS 24-29
24	-----	1	RING, PACKING	
25	-----	1	GASKET, PUMP	
26	-----	1	DIAPHRAGM, PUMP	
27	-----	1	SCREEN, INLET	
28	-----	1	VALVE, INLET NEEDLE	
29	-----	1	GASKET, METERING DIAPHRAGM	
30	P003000200	1	DIAPHRAGM/GASKET KIT	INCLUDES ITEMS 31-34
31	-----	1	RING, PACKING	
32	-----	1	GASKET, PUMP	
33	-----	1	DIAPHRAGM, PUMP	
34	-----	1	GASKET, METERING DIAPHRAGM	

SERIAL NUMBERS: 05001001-07999999



**SERIAL NUMBERS: 05001001-07999999**

ITEM	PART NUMBER	QTY	DESCRIPTION	REMARKS
	A021000370	1	CARBURETOR--WYJ-314	
1	12311440630	2	SCREW, CABLE BRACKET	
2	P003000180	1	BRACKET CABLE	
3	-----	1	THROTTLE VALVE ASY	NOT AVAILABLE SEPARATELY
4	12313440030	1	SCREW, IDLE ADJUST	
5	12317245130	1	SWIVEL	
6	12314954230	1	WASHER	
7	12317307930	1	CLIP	
8	-----	1	BODY, CARBURETOR	NOT AVAILABLE SEPARATELY
9	P003000290	1	PUMP BODY ASY	INCLUDES ITEMS 10-15
10	-----	1	SCREEN, INLET	
11	-----	1	VALVE, INLET NEEDLE	
12	12312205560	1	SPRING, METERING LEVER	
13	12312303930	1	LEVER, METERING	
14	12313803930	1	PIN, METERING LEVER	
15	12313905560	1	SCREW, METERING LEVER PIN	
16	P003000090	1	METERING, DIAPHRAGM	
17	12318005560	1	BODY, AIR PURGE	
18	12318140630	1	PUMP, PRIMER	
19	12314205560	1	COVER, PRIMER PUMP	
20	12311005560	4	SCREW, PUMP COVER	
21	P003000190	1	REPAIR KIT	INCLUDES ITEMS 22-27
22	-----	1	RING, PACKING	
23	-----	1	GASKET, PUMP	
24	-----	1	DIAPHRAGM, PUMP	
25	-----	1	SCREEN, INLET	
26	-----	1	VALVE, INLET NEEDLE	
27	-----	1	GASKET, METERING DIAPHRAGM	
28	P003000200	1	DIAPHRAGM/GASKET KIT	INCLUDES ITEMS 29-32
29	-----	1	RING, PACKING	
30	-----	1	GASKET, PUMP	
31	-----	1	DIAPHRAGM, PUMP	
32	-----	1	GASKET, METERING DIAPHRAGM	