



AVAILABLE ATTACHMENTS & ACCESSORIES

Accessories

001106 Power Blower Tube Helper Handle

900500 Static Protection Kit

99944100003 Tube Mount Throttle Kit

PARTS CATALOG
PB-751H POWER
BLOWER

63.3cc

MODEL: SERIAL NUMBERS

PB-751H: S/N 07001001 - 07999999

ECHO, INCORPORATED

400 Oakwood Road Lake Zurich, Illinois 60047 USA

WWW.ECHO-USA.COM



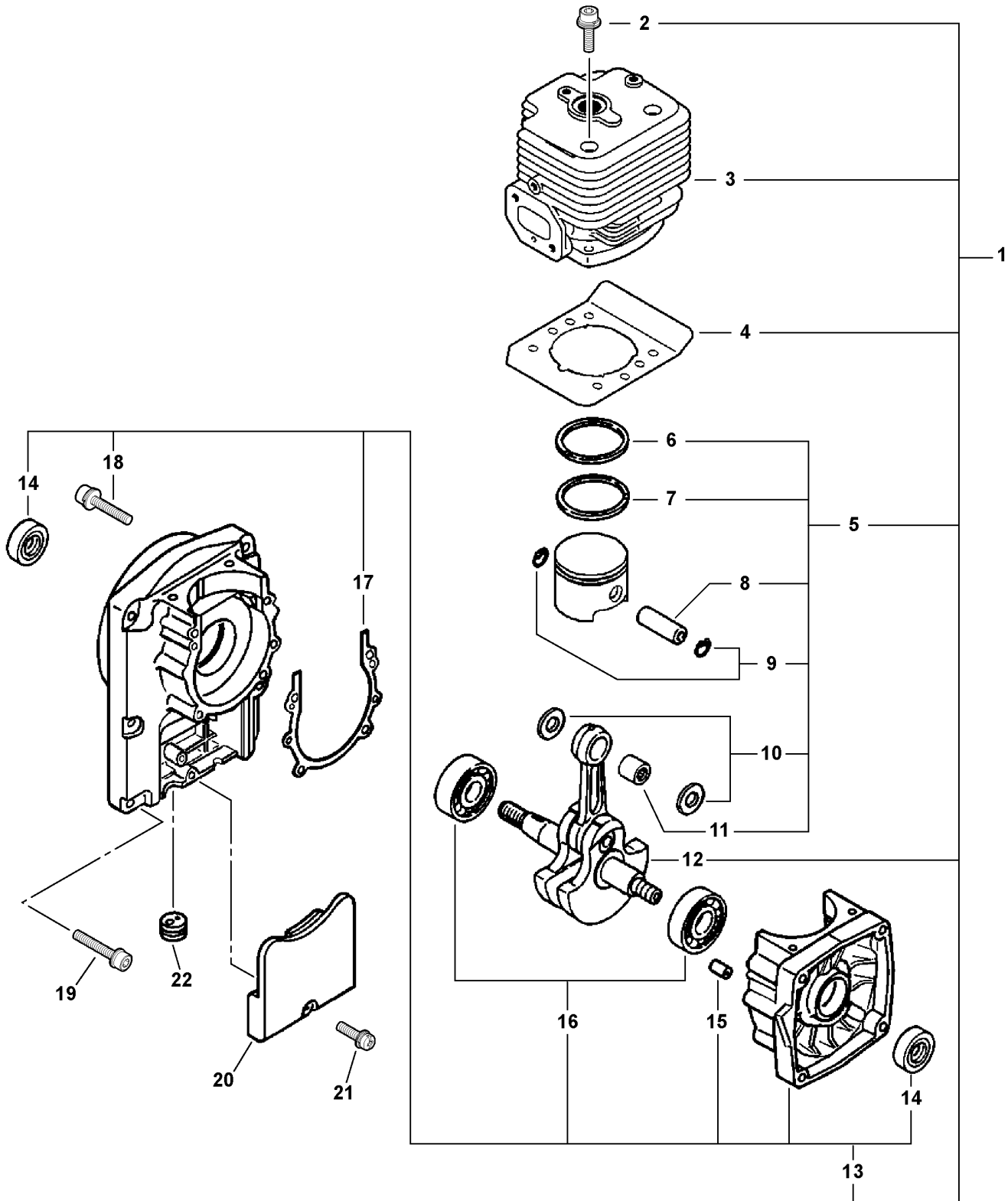
Table of Contents

Click Any Diagram Description Below To View That Diagram.

PB-751H S/N 07001001 - 07999999

| | |
|--|----|
| Engine, Short Block..... | 4 |
| Ignition, Flywheel, Blower Fan S/N: 07001001 - 07001200..... | 6 |
| Ignition, Flywheel, Blower Fan S/N: 07001201 - 07999999..... | 8 |
| Starter S/N: 07001001 - 07001090..... | 10 |
| Starter S/N: 07001091 - 07999999..... | 12 |
| Fuel System..... | 14 |
| Intake..... | 16 |
| Carburetor -- WYK-192..... | 18 |
| Exhaust..... | 20 |
| Leaf Guard, Fan Case, Engine Cover..... | 22 |
| Frame, Harness..... | 24 |
| Hip Mount Throttle..... | 26 |
| Blower Pipes..... | 28 |
| Labels..... | 30 |
| Gasket Kit..... | 32 |
| | |
| Part Number Index..... | 34 |
| Part Description Index..... | 35 |
| Service Publications..... | 3 |

This Intentionally Left Blank

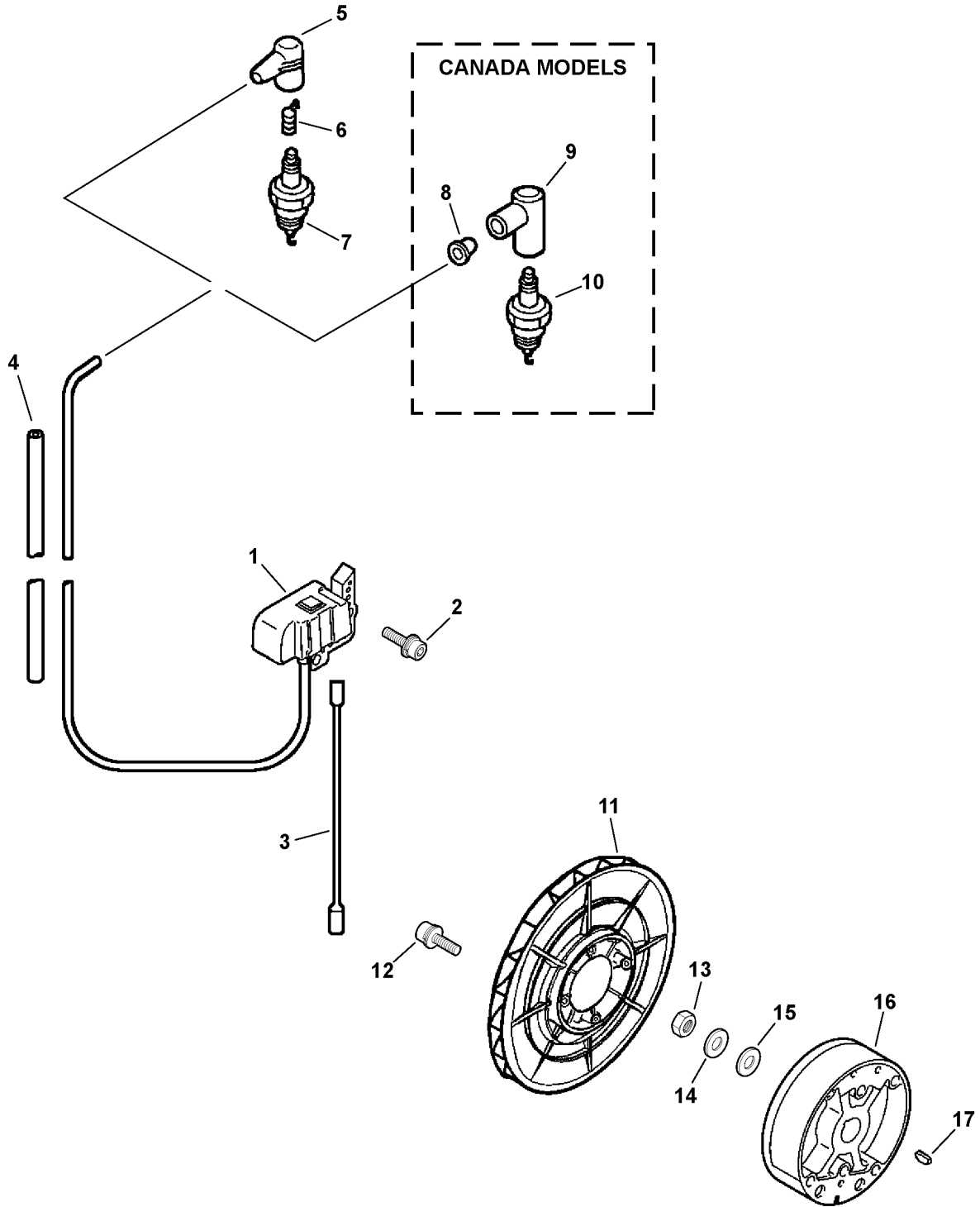


SB1070 0001 000

| ITEM | PART NUMBER | QTY | DESCRIPTION | REMARKS |
|------|-------------|-----|--------------------------------|----------------------|
| 1 | SB1070 | 1 | SHORT BLOCK | INCLUDES ITEMS 2-19 |
| 2 | 90016205022 | 4 | BOLT 5X22 | |
| 3 | A130000510 | 1 | CYLINDER | |
| 4 | V100000100 | 1 | GASKET, CYLINDER ¹ | |
| 5 | P021002982 | 1 | PISTON KIT | INCLUDES ITEMS 6-11 |
| 6 | A101000030 | 1 | RING, PISTON | |
| 7 | A101000020 | 1 | RING, PISTON | |
| 8 | V608000010 | 1 | PIN, PISTON | |
| 9 | 10001500120 | 2 | CIRCLIP, PISTON PIN | |
| 10 | V307000060 | 2 | WASHER 10 | |
| 11 | V555000010 | 1 | BEARING, NEEDLE | |
| 12 | A011000140 | 1 | CRANKSHAFT ASY | |
| 13 | P021002990 | 1 | CRANKCASE KIT | INCLUDES ITEMS 14-18 |
| 14 | V508000010 | 2 | OIL SEAL | |
| 15 | 10021503930 | 2 | DOWEL PIN | |
| 16 | 9403236302 | 2 | BEARING, BALL | |
| 17 | V102000010 | 1 | GASKET, CRANKCASE ¹ | |
| 18 | 90016205035 | 4 | BOLT 5X35 | |
| 19 | 90016206035 | 6 | BOLT 6X35 | |
| 20 | 15912908260 | 1 | COVER, DUST | |
| 21 | 90016205018 | 1 | BOLT 5X18 | |
| 22 | 15111204630 | 1 | GROMMET | |

Footnotes

1: Also Included In GASKET KIT

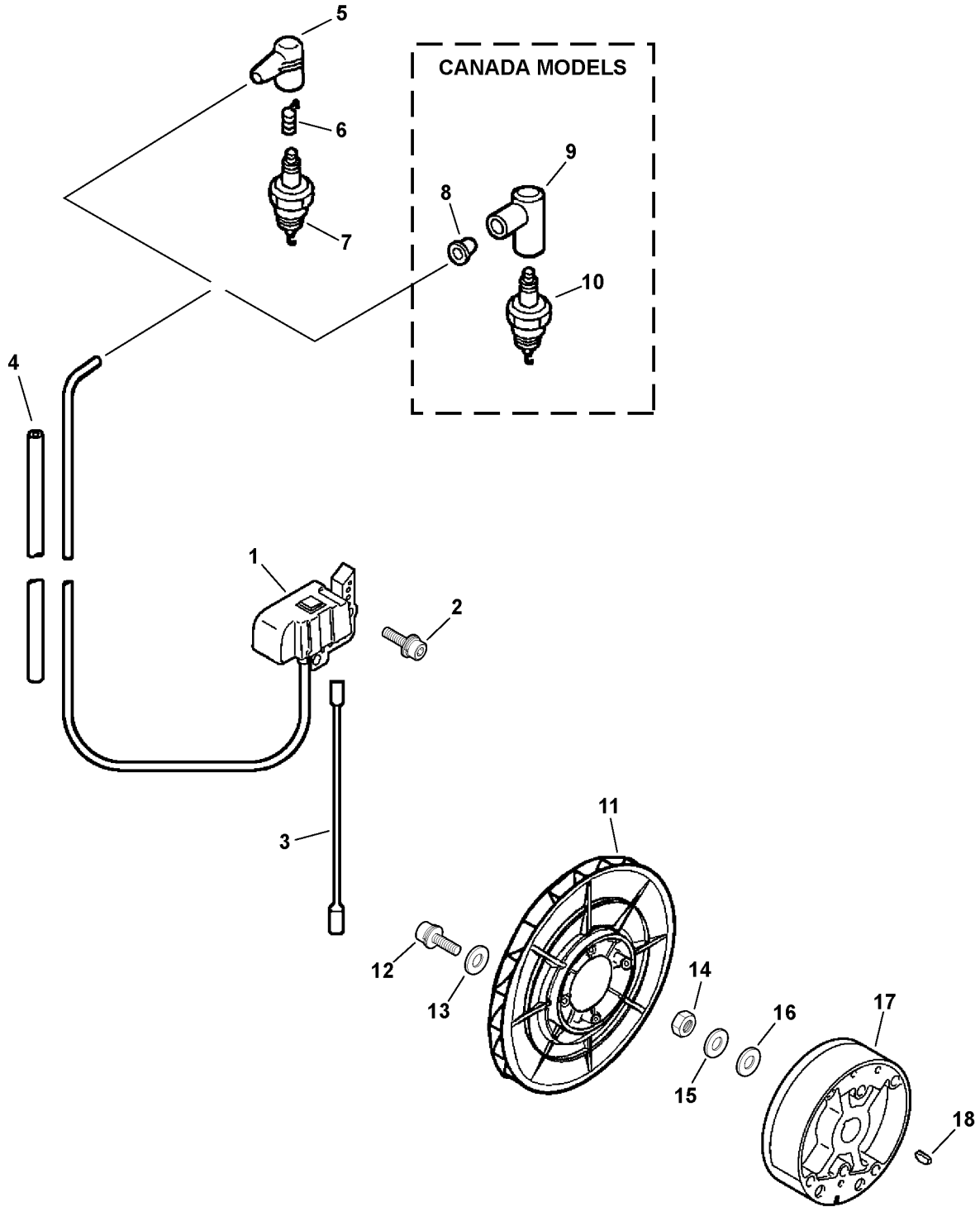


007 0004 000

| ITEM | PART NUMBER | QTY | DESCRIPTION | REMARKS |
|------|-------------|-----|--------------------------------------|---------|
| 1 | A415000000 | 1 | CD IGNITION MODULE | |
| 2 | 90016205018 | 2 | BOLT 5X18 | |
| 3 | V485000190 | 1 | LEAD | |
| 4 | 15611106160 | 1 | TUBE | |
| 5 | 15901203433 | 1 | CAP, SPARK PLUG | |
| 6 | 15901103432 | 1 | TERMINAL, SPARK PLUG CAP | |
| 7 | 15901019830 | 1 | SPARK PLUG -- BPM-8Y | |
| 8 | 15901605330 | 1 | ADAPTOR, SPARK PLUG CAP ¹ | |
| 9 | 15901210230 | 1 | CAP, SPARK PLUG ¹ | |
| 10 | A425000000 | 1 | SPARK PLUG -- BPMR-8Y ¹ | |
| 11 | E100000040 | 1 | FAN, BLOWER | |
| 12 | 90010605030 | 4 | BOLT 5X30 | |
| 13 | 90050100010 | 1 | NUT 10 | |
| 14 | 90060500010 | 1 | SPRING WASHER | |
| 15 | 90060200010 | 1 | WASHER 10 | |
| 16 | A409000110 | 1 | FLYWHEEL | |
| 17 | 90032303014 | 1 | WOODRUFF KEY | |

Footnotes

1: CANADA MODELS

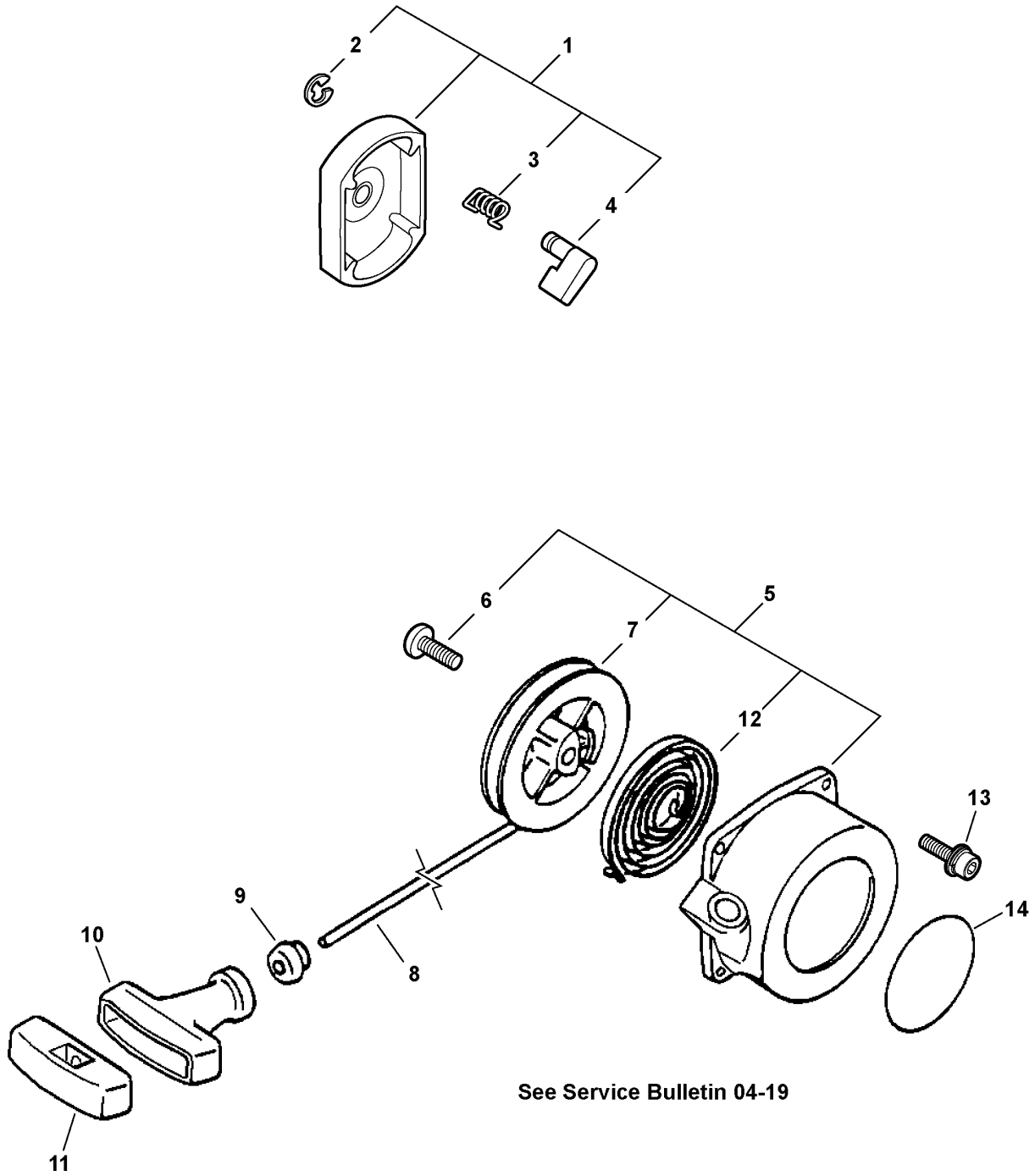


007 0005 000

| ITEM | PART NUMBER | QTY | DESCRIPTION | REMARKS |
|------|-------------|-----|--------------------------------------|---------|
| 1 | A415000000 | 1 | CD IGNITION MODULE | |
| 2 | 90016205018 | 2 | BOLT 5X18 | |
| 3 | V485000190 | 1 | LEAD | |
| 4 | 15611106160 | 1 | TUBE | |
| 5 | 15901203433 | 1 | CAP, SPARK PLUG | |
| 6 | 15901103432 | 1 | TERMINAL, SPARK PLUG CAP | |
| 7 | 15901019830 | 1 | SPARK PLUG -- BPM-8Y | |
| 8 | 15901605330 | 1 | ADAPTOR, SPARK PLUG CAP ¹ | |
| 9 | 15901210230 | 1 | CAP, SPARK PLUG ¹ | |
| 10 | A425000000 | 1 | SPARK PLUG -- BPMR-8Y ¹ | |
| 11 | E100000041 | 1 | FAN, BLOWER | |
| 12 | 90010506035 | 4 | BOLT 6X35 | |
| 13 | 14564206230 | 4 | WASHER | |
| 14 | 90050100010 | 1 | NUT 10 | |
| 15 | 90060500010 | 1 | SPRING WASHER | |
| 16 | 90060200010 | 1 | WASHER 10 | |
| 17 | A409000250 | 1 | FLYWHEEL | |
| 18 | 90032303014 | 1 | WOODRUFF KEY | |

Footnotes

1: CANADA MODELS

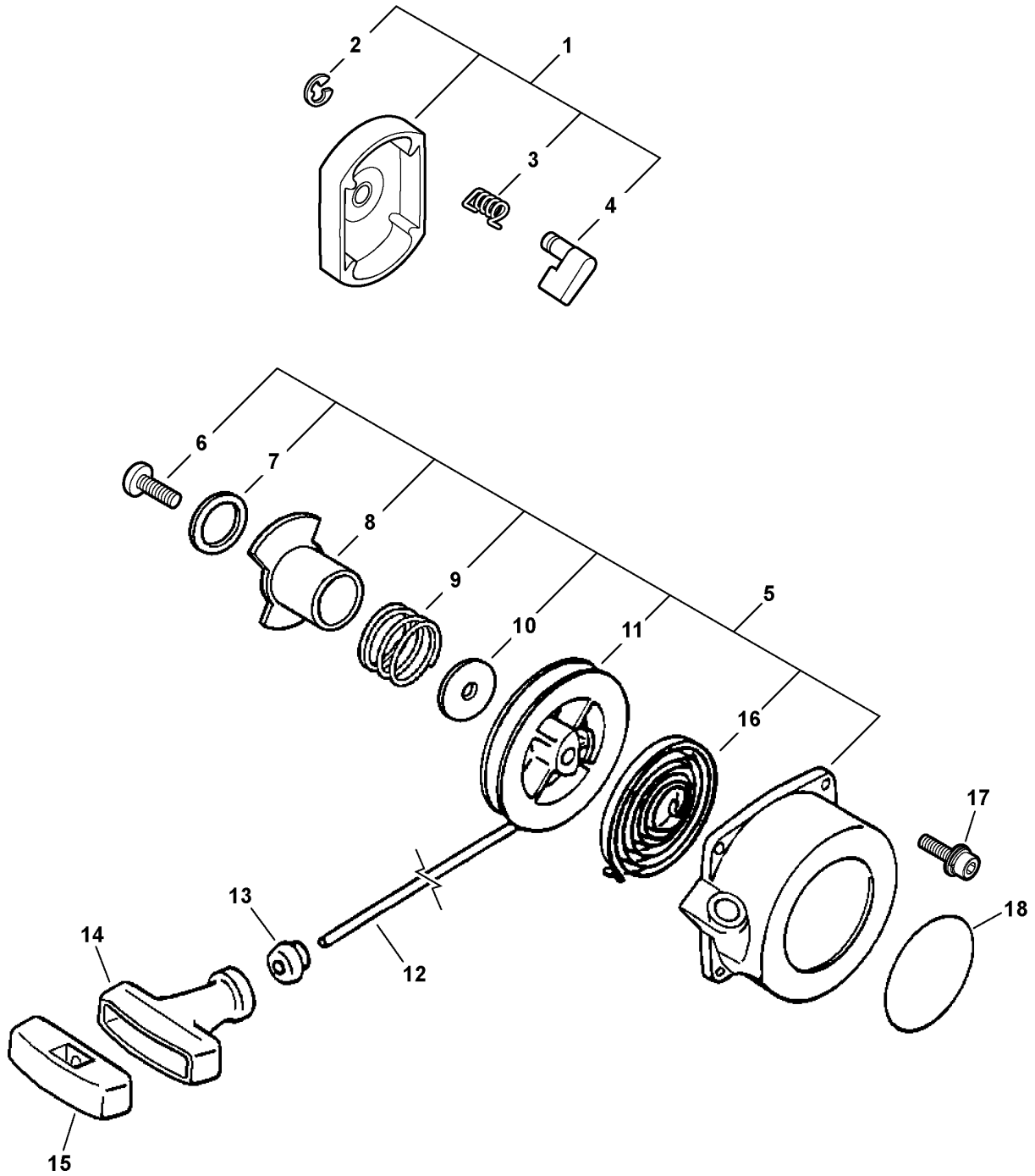


004 0005 000

| ITEM | PART NUMBER | QTY | DESCRIPTION | REMARKS |
|------|-------------|-----|--|---------------------|
| 1 | A052000041 | 1 | STARTER PAWL ASY | INCLUDES ITEMS 2-4 |
| 2 | P022002100 | 2 | E-RING | |
| 3 | P022003130 | 2 | SPRING, RETURN | |
| 4 | P022003120 | 2 | PAWL, STARTER | |
| 5 | A051000201 | 1 | STARTER, RECOIL | INCLUDES ITEMS 6-12 |
| 6 | 17723606910 | 1 | SCREW | |
| 7 | P022002080 | 1 | DRUM, STARTER | |
| 8 | 17722606310 | 1 | ROPE, STARTER - 3.5X 1000mm ¹ | |
| 9 | 17722742030 | 1 | GUIDE, ROPE | |
| 10 | 17722811620 | 1 | GRIP, STARTER | |
| 11 | P022010260 | 1 | RETAINER, ROPE | |
| 12 | 17722006310 | 1 | SPRING, REWIND | |
| 13 | 90010605014 | 4 | BOLT 5X14 | |
| 14 | 89011817930 | 1 | LABEL, ECHO | |

Footnotes

1: BULK OPTION: 99944445000

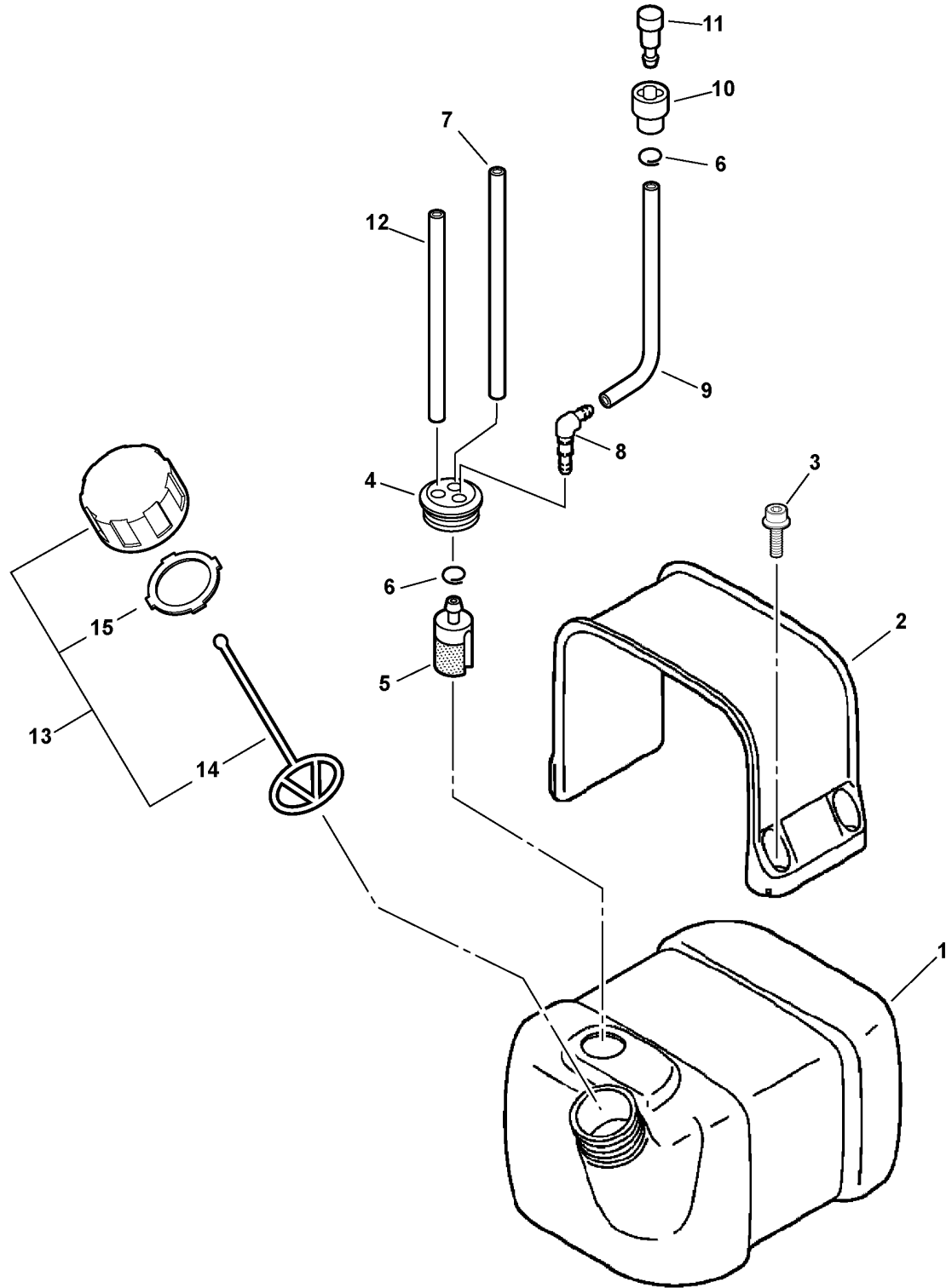


004 0004 000

| ITEM | PART NUMBER | QTY | DESCRIPTION | REMARKS |
|------|-------------|-----|--|---------------------|
| 1 | A052000041 | 1 | STARTER PAWL ASY | INCLUDES ITEMS 2-4 |
| 2 | P022002100 | 2 | E-RING | |
| 3 | P022003130 | 2 | SPRING, RETURN | |
| 4 | P022003120 | 2 | PAWL, STARTER | |
| 5 | A051000840 | 1 | STARTER, RECOIL | INCLUDES ITEMS 6-16 |
| 6 | 17723661830 | 1 | SCREW | |
| 7 | P022010250 | 1 | WASHER, THRUST | |
| 8 | P022010220 | 1 | PLATE, FRICTION | |
| 9 | P022010230 | 1 | SPRING | |
| 10 | P022010240 | 1 | WASHER | |
| 11 | P022010280 | 1 | DRUM, STARTER | |
| 12 | P022010270 | 1 | ROPE, STARTER - 3.5X 1000mm ¹ | |
| 13 | 17722742030 | 1 | GUIDE, ROPE | |
| 14 | 17722811620 | 1 | GRIP, STARTER | |
| 15 | P022010260 | 1 | RETAINER, ROPE | |
| 16 | P022004680 | 1 | SPRING, REWIND | |
| 17 | 90010605014 | 4 | BOLT 5X14 | |
| 18 | 89011817930 | 1 | LABEL, ECHO | |

Footnotes

1: BULK OPTION: 99944445000

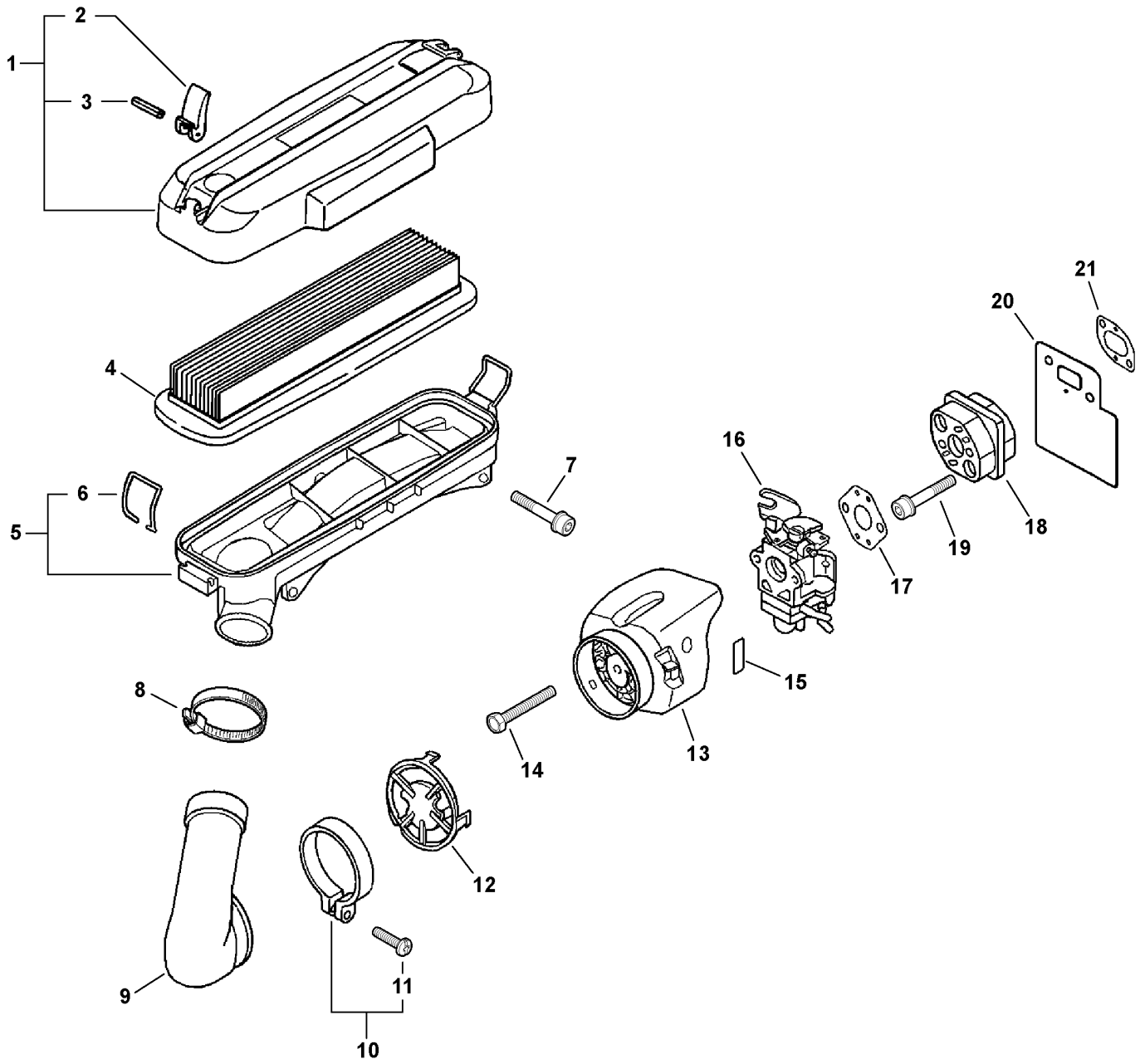


002 0005 000

| ITEM | PART NUMBER | QTY | DESCRIPTION | REMARKS |
|------|-------------|-----|---------------------------------------|----------------------|
| 1 | A350000151 | 1 | TANK, FUEL | |
| 2 | A392000000 | 1 | COVER, FUEL TANK | |
| 3 | 90010605014 | 4 | BOLT 5X14 | |
| 4 | 13211555930 | 1 | GROMMET | |
| 5 | 13120519830 | 1 | FILTER, FUEL | |
| 6 | 13201326630 | 2 | CLIP | |
| 7 | 13201035430 | 1 | PIPE, FUEL - 3X6X230mm ¹ | |
| 8 | V186000080 | 1 | JOINT, PIPE | |
| 9 | V471000610 | 1 | PIPE, VENT - 3X6X145mm ¹ | |
| 10 | 13132840630 | 1 | COVER, VENT | |
| 11 | A356000030 | 1 | VENT ASY | |
| 12 | V471000550 | 1 | PIPE, RETURN - 3X6X145mm ² | |
| 13 | 13100455530 | 1 | FUEL TANK CAP ASY | INCLUDES ITEMS 14-15 |
| 14 | 13105156030 | 1 | CONNECTOR, FUEL CAP | |
| 15 | 13101655830 | 1 | GASKET, FUEL CAP | |

Footnotes

- 1: OPTIONAL BULK LINE 90015
- 2: OPTIONAL BULK LINE 90017

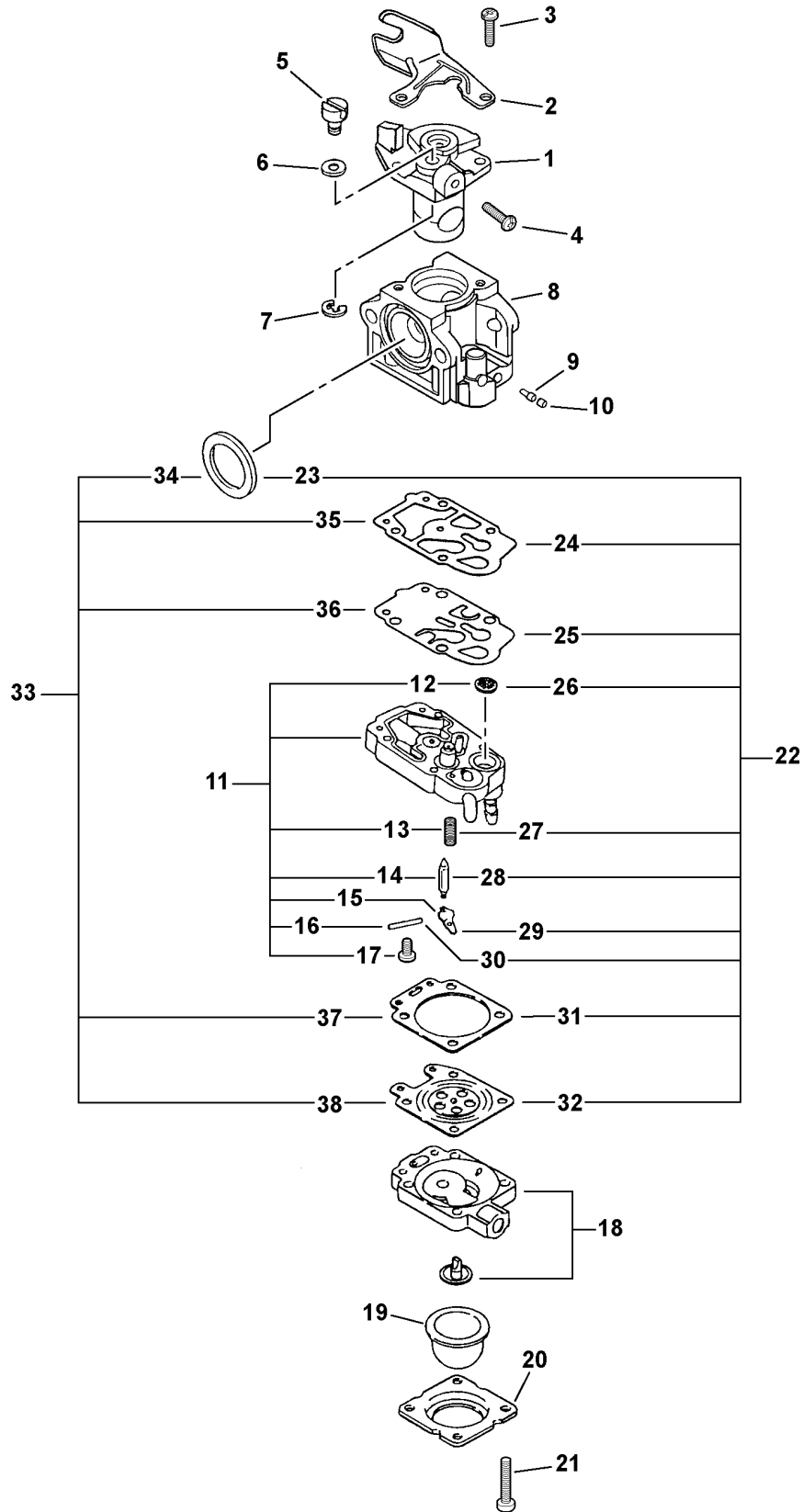


005 0006 000

PB-751H POWER BLOWER

Intake

| ITEM | PART NUMBER | QTY | DESCRIPTION | REMARKS |
|------|-------------|-----|-------------------|---|
| 1 | A232000170 | 1 | LID, CLEANER | INCLUDES ITEMS 2-3 |
| 2 | 13034108260 | 2 | KNOB | |
| 3 | 90034530025 | 2 | SPRING PIN | |
| 4 | 13030508360 | 1 | FILTER, AIR | |
| 5 | P021005700 | 1 | CASE, AIR CLEANER | INCLUDES ITEM 6 |
| 6 | 13103208360 | 2 | CLIP | |
| 7 | 90010605035 | 2 | BOLT 5X35 | |
| 8 | V495000590 | 1 | BAND | |
| 9 | A239000010 | 1 | PIPE, INTAKE | |
| 10 | 21040000660 | 1 | CLAMP KIT | INCLUDES ITEM 11 |
| 11 | 90023805025 | 1 | SCREW 5X25 | |
| 12 | A244000060 | 1 | PLATE, PREVENT | |
| 13 | P021005690 | 1 | CLEANER CASE ASY | |
| 14 | 90010505055 | 2 | BOLT 5X55 | |
| 15 | 89033252730 | 1 | LABEL, CHOKE | |
| 16 | ----- | 1 | CARBURETOR | See Carburetor Diagram for Model and Serial Number Applications |
| 17 | V103000080 | 1 | GASKET, INTAKE | |
| 18 | A200000070 | 1 | INSULATOR, INTAKE | |
| 19 | 90010605025 | 2 | BOLT 5X25 | |
| 20 | V103000130 | 1 | SHIELD, CYLINDER | |
| 21 | V103000140 | 1 | GASKET, INTAKE | |

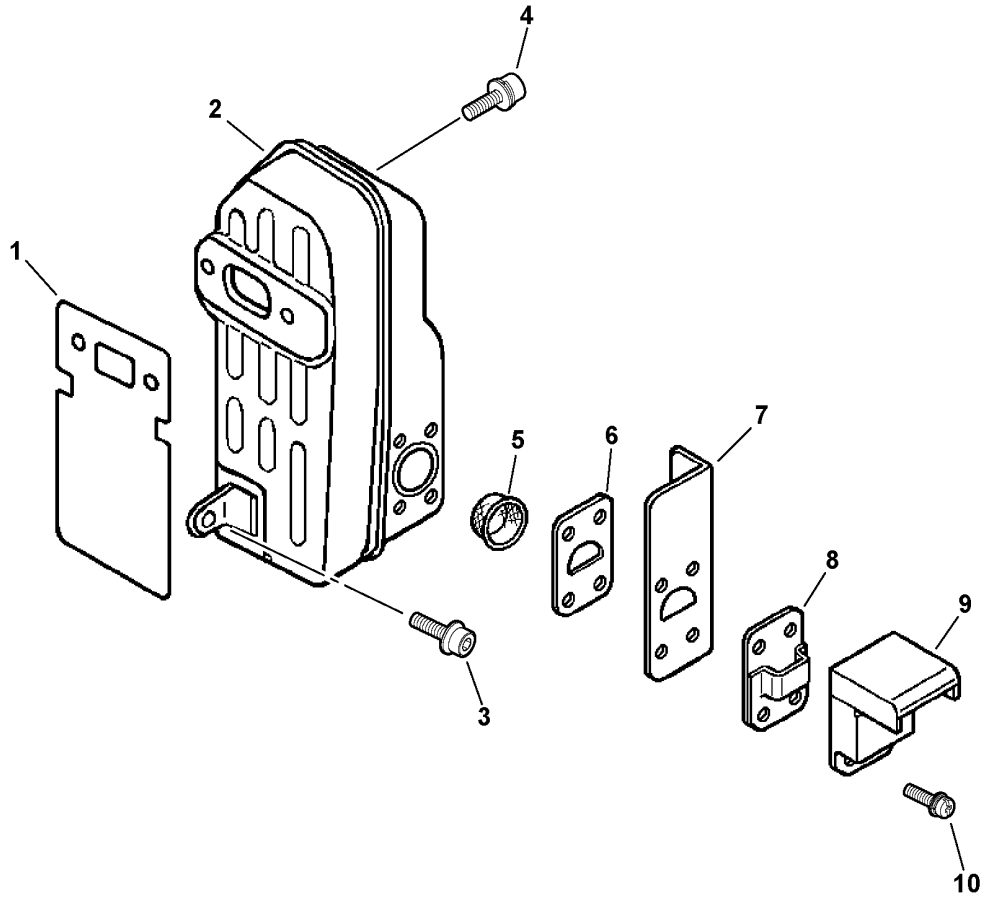


WYK192 0001 000

| ITEM | PART NUMBER | QTY | DESCRIPTION | REMARKS |
|-----------|-------------|-----|---------------------------------|----------------------|
| | A021000810 | 1 | CARBURETOR -- WYK-192 | |
| 1 | ----- | 1 | THROTTLE VALVE ASY ¹ | |
| 2 | P003000180 | 1 | BRACKET CABLE | |
| 3 | 12311440630 | 2 | SCREW, CABLE BRACKET | |
| 4 | 12313440030 | 1 | SCREW, IDLE ADJUST | |
| 5 | 12317245130 | 1 | SWIVEL | |
| 6 | 12314954230 | 1 | WASHER | |
| 7 | 12317307930 | 1 | CLIP, SWIVEL | |
| 8 | ----- | 1 | BODY, CARBURETOR ¹ | |
| 9 | P003001130 | 1 | NEEDLE, HIGH SPEED | |
| 10 | A259000000 | 1 | PLUG | |
| 11 | P003000630 | 1 | PUMP BODY ASY | INCLUDES ITEMS 12-17 |
| 12 | ----- | 1 | SCREEN, INLET | |
| 13 | ----- | 1 | SPRING, METERING LEVER | |
| 14 | ----- | 1 | VALVE, INLET NEEDLE | |
| 15 | ----- | 1 | LEVER, METERING | |
| 16 | ----- | 1 | PIN, METERING LEVER | |
| 17 | 12313905560 | 1 | SCREW, METERING LEVER PIN | |
| 18 | 12318005560 | 1 | BODY, AIR PURGE | |
| 19 | 12318140630 | 1 | BULB, PURGE | |
| 20 | 12314205560 | 1 | COVER, PURGE PUMP | |
| 21 | 12311005560 | 4 | SCREW, PURGE PUMP COVER | |
| 22 | P003000660 | 1 | REPAIR KIT | INCLUDES ITEMS 23-32 |
| 23 | ----- | 1 | RING, PACKING | |
| 24 | ----- | 1 | GASKET, PUMP | |
| 25 | ----- | 1 | DIAPHRAGM, PUMP | |
| 26 | ----- | 1 | SCREEN, INLET | |
| 27 | ----- | 1 | VALVE, INLET NEEDLE | |
| 28 | ----- | 1 | SPRING, METERING LEVER | |
| 29 | ----- | 1 | LEVER, METERING | |
| 30 | ----- | 1 | PIN, METERING LEVER | |
| 31 | ----- | 1 | GASKET, METERING DIAPHRAGM | |
| 32 | ----- | 1 | METERING, DIAPHRAGM | |
| 33 | P003000650 | 1 | DIAPHRAGM/GASKET KIT | INCLUDES ITEMS 34-38 |
| 34 | ----- | 1 | RING, PACKING | |
| 35 | ----- | 1 | GASKET, PUMP | |
| 36 | ----- | 1 | DIAPHRAGM, PUMP | |
| 37 | ----- | 1 | GASKET, METERING DIAPHRAGM | |
| 38 | ----- | 1 | METERING, DIAPHRAGM | |

Footnotes

1: NOT AVAILABLE SEPARATELY

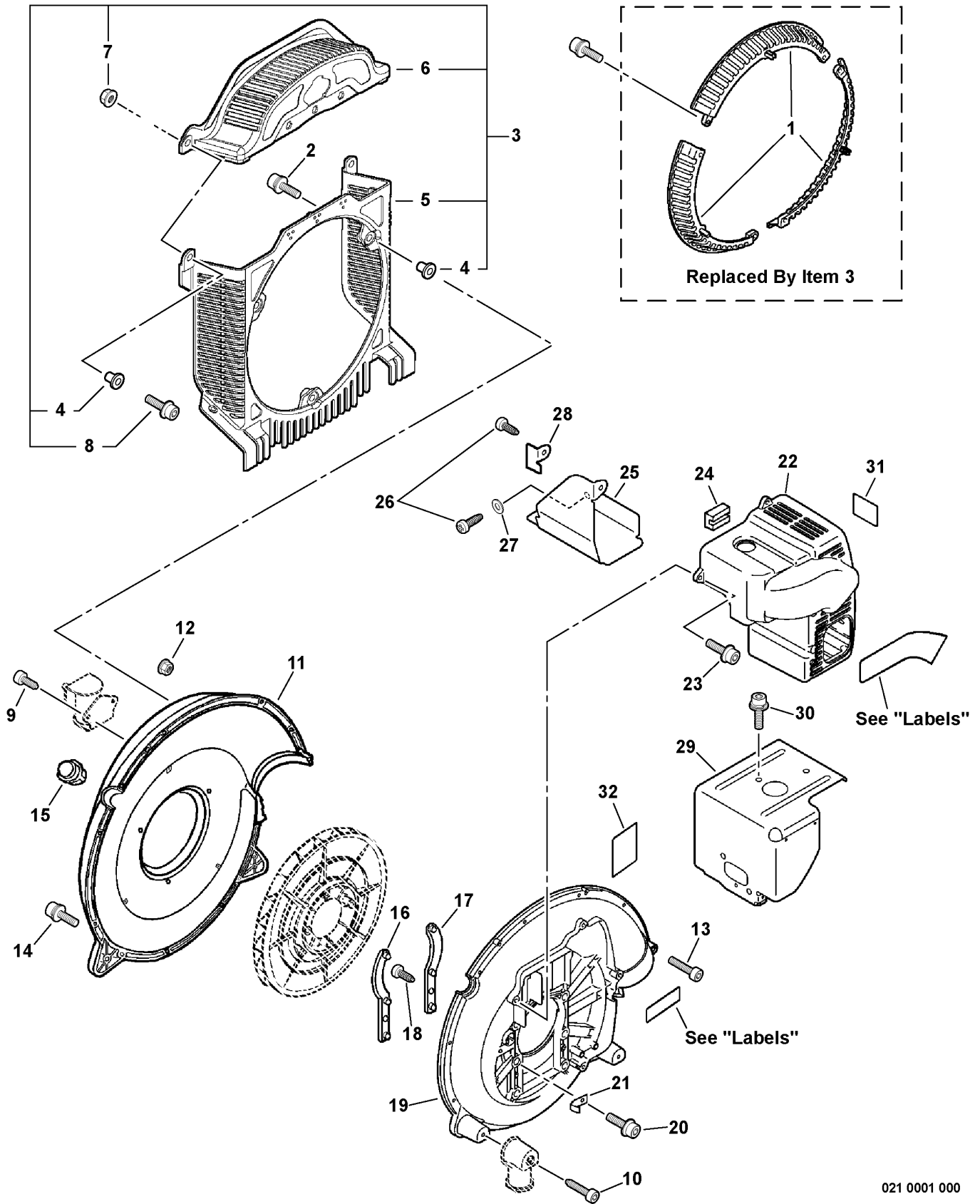


006 0007 000

PB-751H POWER BLOWER

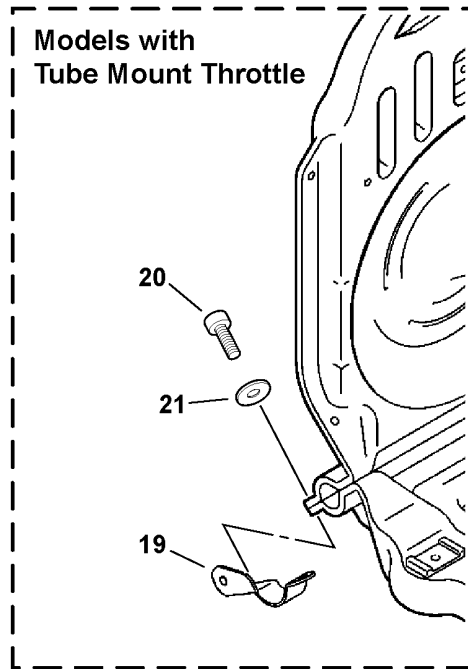
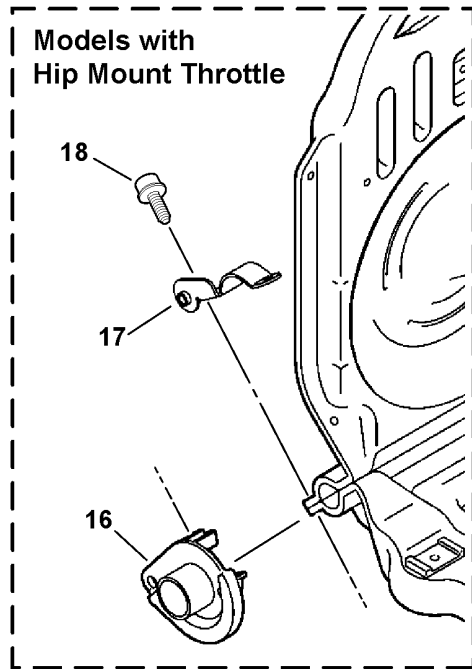
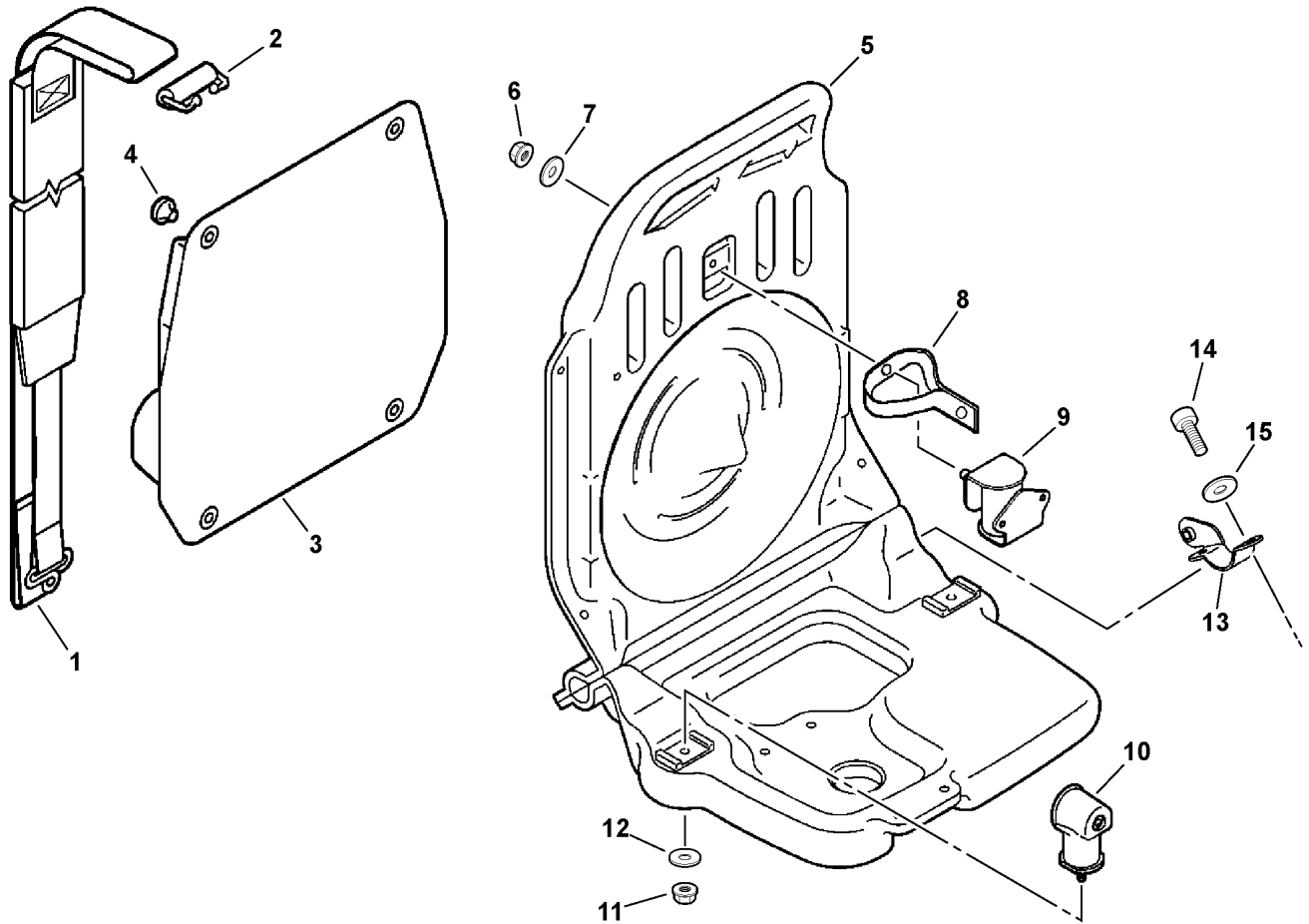
Exhaust

| ITEM | PART NUMBER | QTY | DESCRIPTION | REMARKS |
|------|-------------|-----|--------------------|---------|
| 1 | V104000600 | 1 | SHIELD, CYLINDER | |
| 2 | A300000450 | 1 | MUFFLER | |
| 3 | 90010605014 | 1 | BOLT 5X14 | |
| 4 | 9110706020 | 2 | FLANGE BOLT | |
| 5 | A310000000 | 1 | SCREEN, ARRESTOR | |
| 6 | V104000550 | 1 | GASKET, EXHAUST | |
| 7 | V104000560 | 1 | SHIELD, MUFFLER | |
| 8 | A313000520 | 1 | GUIDE, EXHAUST | |
| 9 | A313000560 | 1 | DEFLECTOR, EXHAUST | |
| 10 | 9136704014 | 4 | SCREW 4X14 | |



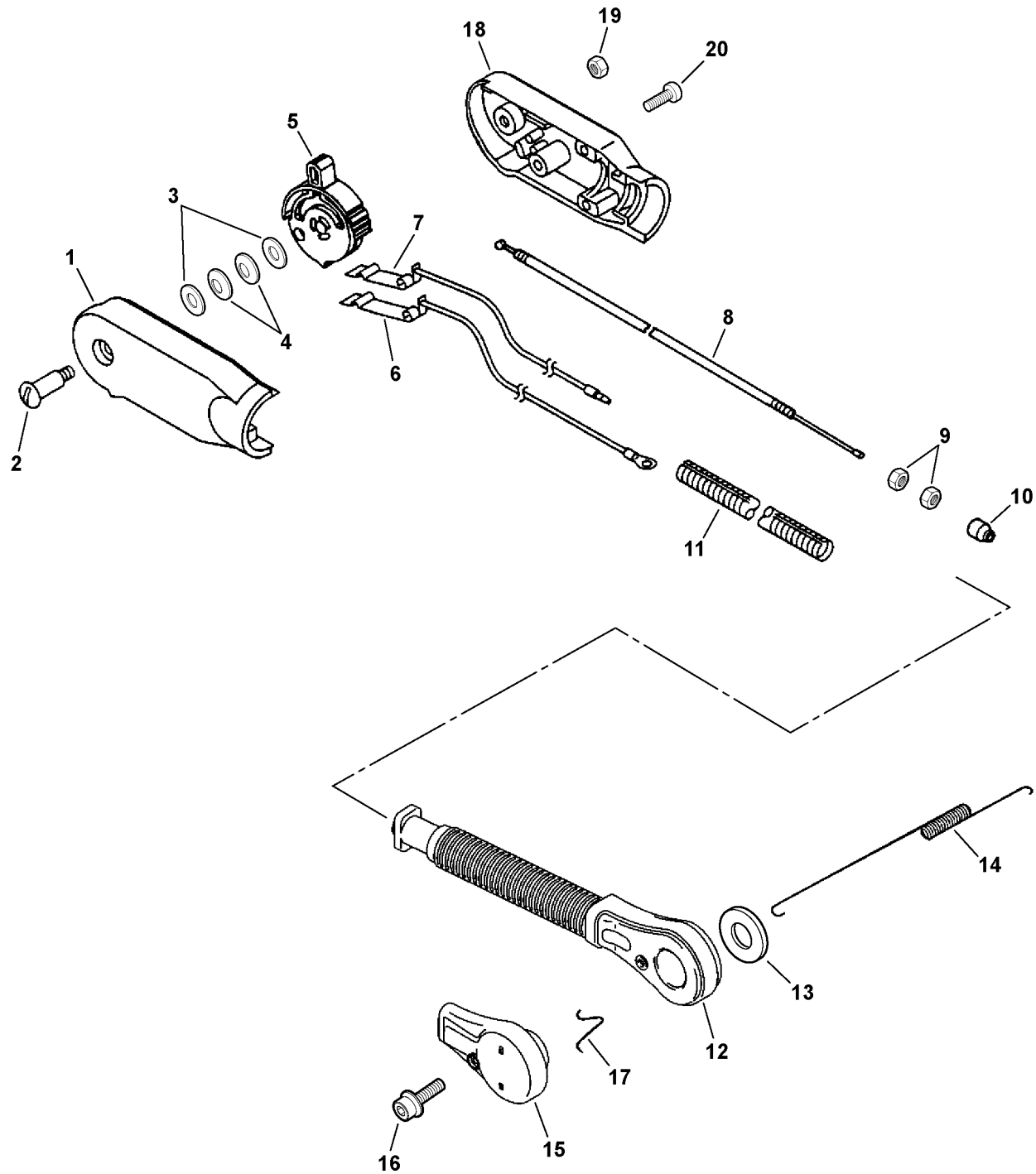
021 0001 000

| ITEM | PART NUMBER | QTY | DESCRIPTION | REMARKS |
|------|-------------|-----|----------------------|---------|
| 1 | ----- | 3 | GRID, BLOWER | |
| 2 | 9114505020 | 3 | BOLT | |
| 3 | P021005140 | 1 | LEAF GUARD KIT | |
| 4 | 10491508260 | 7 | COLLAR | |
| 5 | E104000050 | 1 | GRID, BLOWER - LOWER | |
| 6 | E104000040 | 1 | GRID, BLOWER - UPPER | |
| 7 | 90056250005 | 4 | LOCKNUT | |
| 8 | 90010605020 | 4 | BOLT 5X20 | |
| 9 | 9114505016 | 2 | BOLT 5X16 | |
| 10 | 9114505016 | 2 | BOLT 5X16 | |
| 11 | E103000141 | 1 | CASE, FAN - FRONT | |
| 12 | 90051600005 | 2 | FLANGE NUT 5 | |
| 13 | 90010505060 | 2 | BOLT 5X60 | |
| 14 | 9114505020 | 12 | BOLT 5X20 | |
| 15 | E109000010 | 1 | PLUG, FAN CASE | |
| 16 | C632000041 | 1 | PLATE, ENGINE | |
| 17 | C632000051 | 1 | PLATE, ENGINE | |
| 18 | 90024605014 | 2 | SCREW 5X14 | |
| 19 | E103000132 | 1 | CASE, FAN - REAR | |
| 20 | 9114505016 | 1 | BOLT 5X16 | |
| 21 | 17811122330 | 1 | CLIP | |
| 22 | A190000111 | 1 | COVER, ENGINE | |
| 23 | 9114505020 | 4 | BOLT 5X20 | |
| 24 | V420000570 | 1 | CUSHION | |
| 25 | A322000020 | 1 | INSULATOR, MUFFLER | |
| 26 | 90025305010 | 2 | SCREW 5X10 | |
| 27 | 90060300005 | 1 | WASHER 5 | |
| 28 | V152000770 | 1 | PLATE, ANGLE | |
| 29 | A160000340 | 1 | COVER, CYLINDER | |
| 30 | 90010605008 | 2 | BOLT 5X8 | |
| 31 | 89016006361 | 1 | LABEL, HOT | |
| 32 | 89016009461 | 1 | LABEL, CAUTION | |



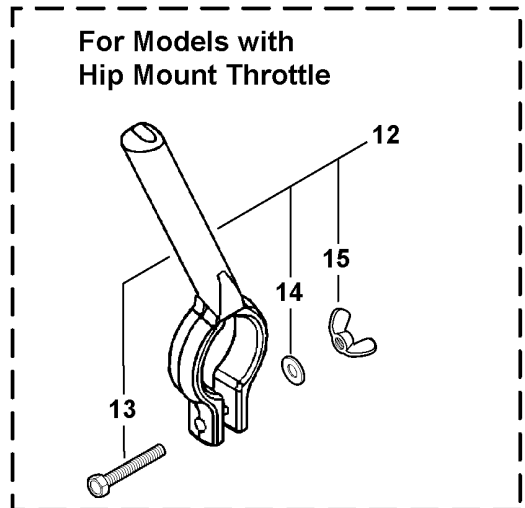
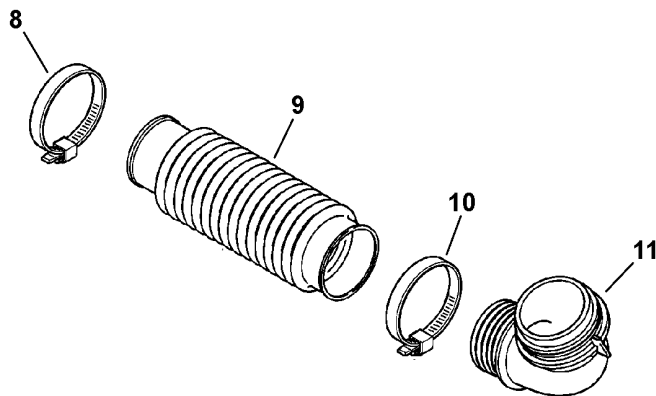
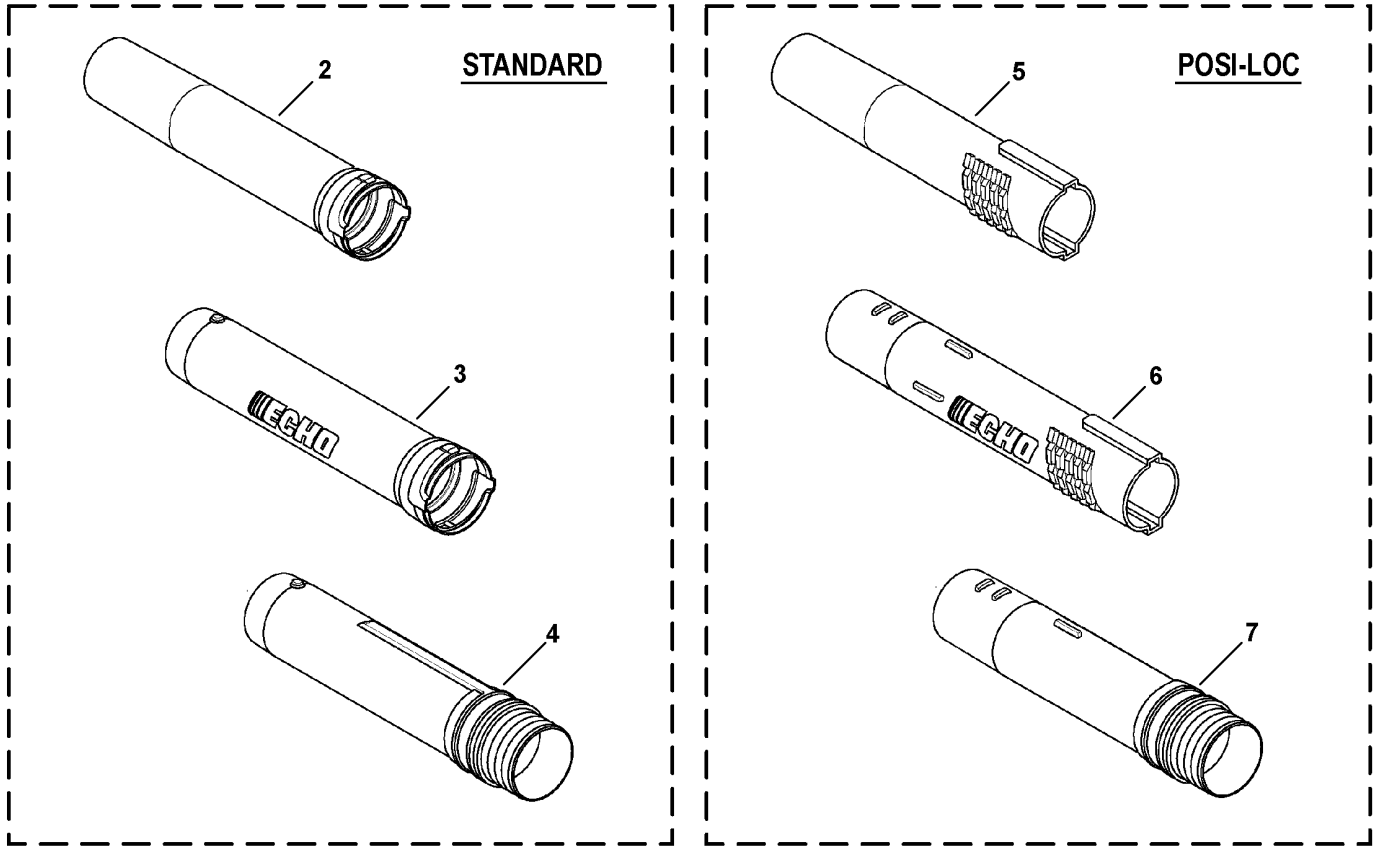
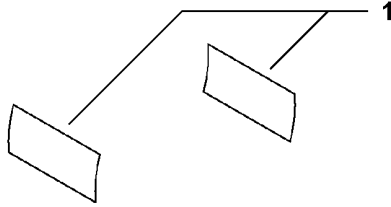
022 0001 000

| ITEM | PART NUMBER | QTY | DESCRIPTION | REMARKS |
|------|-------------|-----|--------------------------|---------|
| 1 | C061000110 | 2 | BACKPACK HARNESS ASY | |
| 2 | V491000040 | 2 | RING, HARNESS | |
| 3 | 30010508260 | 1 | CUSHION, BACKPACK | |
| 4 | 30033306160 | 4 | SNAP | |
| 5 | C066000000 | 1 | FRAME, BACKPACK | |
| 6 | 90051600005 | 3 | FLANGE NUT 5 | |
| 7 | 61301907350 | 3 | WASHER | |
| 8 | C617000150 | 1 | RETAINER | |
| 9 | 10090508261 | 1 | CUSHION | |
| 10 | V401000070 | 2 | CUSHION 5 | |
| 11 | 90051600005 | 3 | FLANGE NUT 5 | |
| 12 | 61301907350 | 3 | WASHER | |
| 13 | C626000010 | 1 | FIXTURE, HARNESS | |
| 14 | 90010505020 | 2 | BOLT 5X20 | |
| 15 | 61301907350 | 2 | WASHER | |
| 16 | C472000000 | 1 | FIXTURE, TRIGGER BRACKET | |
| 17 | C626000020 | 1 | FIXTURE, HARNESS | |
| 18 | 9114705025 | 2 | BOLT 5X25 | |
| 19 | C626000030 | 1 | FIXTURE, HARNESS | |
| 20 | 90010505020 | 2 | BOLT 5X20 | |
| 21 | 61301907350 | 2 | WASHER | |



023 0001 000

| ITEM | PART NUMBER | QTY | DESCRIPTION | REMARKS |
|------|-------------|-----|--------------------------|---------|
| 1 | C471000050 | 1 | FIXTURE, TRIGGER - LEFT | |
| 2 | 60403021060 | 1 | SCREW 4 | |
| 3 | 69911804560 | 2 | WASHER | |
| 4 | 17816021060 | 2 | FRICION WASHER | |
| 5 | C453000020 | 1 | LEVER, THROTTLE | |
| 6 | V485000210 | 1 | LEAD | |
| 7 | V485000060 | 1 | LEAD | |
| 8 | V430000440 | 1 | CABLE, THROTTLE | |
| 9 | 90050300006 | 2 | NUT | |
| 10 | V494000080 | 1 | CAP, DUST | |
| 11 | V475001970 | 1 | TUBE | |
| 12 | C456000030 | 1 | ARM, TRIGGER | |
| 13 | V336000000 | 1 | WASHER 45 | |
| 14 | V451000280 | 1 | SPRING, TENSION | |
| 15 | C472000010 | 1 | FIXTURE, TRIGGER BRACKET | |
| 16 | 90010605020 | 1 | FLANGE BOLT 5X20 | |
| 17 | V456000000 | 1 | HOLDER, SPRING | |
| 18 | C471000060 | 1 | FIXTURE, TRIGGER - RIGHT | |
| 19 | 90056000004 | 1 | LOCKNUT | |
| 20 | 88995021060 | 3 | TAPPING SCREW 5 | |

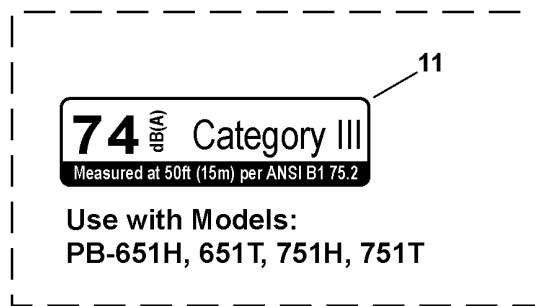
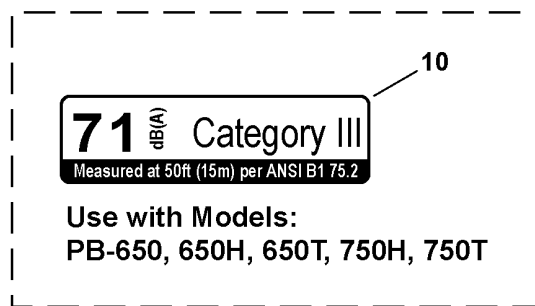


020 0001 000

| ITEM | PART NUMBER | QTY | DESCRIPTION | REMARKS |
|------|-------------|-----|----------------|----------------------|
| 1 | X502000060 | 2 | LABEL, ECHO | |
| 2 | E165000110 | 1 | PIPE, BLOWER | |
| 3 | E165000020 | 1 | PIPE, STRAIGHT | |
| 4 | E165000010 | 1 | PIPE, SWIVEL | |
| 5 | E165000150 | 1 | PIPE, BLOWER | |
| 6 | E165000140 | 1 | PIPE, STRAIGHT | |
| 7 | E165000130 | 1 | PIPE, SWIVEL | |
| 8 | V495000430 | 1 | CLAMP | |
| 9 | E164000051 | 1 | PIPE, FLEXIBLE | |
| 10 | V495000440 | 1 | CLAMP | |
| 11 | E160000090 | 1 | PIPE, ELBOW | |
| 12 | 001106 | 1 | HANDLE KIT | INCLUDES ITEMS 13-15 |
| 13 | 90010006045 | 1 | BOLT 6X45 | |
| 14 | 90060000006 | 1 | WASHER 6 | |
| 15 | 90052500006 | 1 | WING NUT 6 | |

MODEL LABELS

NOISE LABELS



100 0003 000

PB-751H POWER BLOWER

Labels

| ITEM | PART NUMBER | QTY | DESCRIPTION | REMARKS |
|------|-------------|-----|-------------------------|---------|
| 1 | X503002650 | 1 | LABEL, MODEL -- PB-650 | |
| 2 | X503004870 | 1 | LABEL, MODEL -- PB-650H | |
| 3 | X503004880 | 1 | LABEL, MODEL -- PB-650T | |
| 4 | X503005570 | 1 | LABEL, MODEL -- PB-651H | |
| 5 | X503005590 | 1 | LABEL, MODEL -- PB-651T | |
| 6 | X503004890 | 1 | LABEL, MODEL -- PB-750H | |
| 7 | X503004900 | 1 | LABEL, MODEL -- PB-750T | |
| 8 | X503005580 | 1 | LABEL, MODEL -- PB-751H | |
| 9 | X503005600 | 1 | LABEL, MODEL -- PB-751T | |
| 10 | X508000140 | 1 | LABEL, NOISE | |
| 11 | X508000180 | 1 | LABEL, NOISE | |

| MODEL | USE GASKET KIT |
|----------------------------|-----------------------|
| PB-650 | P021003440 |
| PB-650H, 650T, 750H, 750T | P021005930 |
| PB- 651H, 651T, 751H, 751T | P021007850 |

300 0001 000

| ITEM | PART NUMBER | QTY | DESCRIPTION | REMARKS |
|------|-------------|-----|-------------------------|----------------------|
| 1 | P021003440 | 1 | GASKET KIT ¹ | INCLUDES ITEMS 2-7 |
| 2 | V100000050 | 1 | GASKET, CYLINDER | |
| 3 | V102000010 | 1 | GASKET, CRANKCASE | |
| 4 | V103000080 | 1 | GASKET, INTAKE | |
| 5 | V103000130 | 1 | SHIELD, CYLINDER | |
| 6 | V103000140 | 1 | GASKET, INTAKE | |
| 7 | V104000250 | 1 | GASKET, EXHAUST | |
| 8 | P021005930 | 1 | GASKET KIT ² | INCLUDES ITEMS 9-14 |
| 9 | V100000100 | 1 | GASKET, CYLINDER | |
| 10 | V102000010 | 1 | GASKET, CRANKCASE | |
| 11 | V103000080 | 1 | GASKET, INTAKE | |
| 12 | V103000130 | 1 | SHIELD, CYLINDER | |
| 13 | V103000140 | 1 | GASKET, INTAKE | |
| 14 | V104000250 | 1 | GASKET, EXHAUST | |
| 15 | P021007850 | 1 | GASKET KIT ³ | INCLUDES ITEMS 16-23 |
| 16 | V100000100 | 1 | GASKET, CYLINDER | |
| 17 | V102000010 | 1 | GASKET, CRANKCASE | |
| 18 | V103000080 | 1 | GASKET, INTAKE | |
| 19 | V103000130 | 1 | SHIELD, CYLINDER | |
| 20 | V103000140 | 1 | GASKET, INTAKE | |
| 21 | V104000550 | 1 | GASKET, EXHAUST | |
| 22 | V104000560 | 1 | SHIELD, MUFFLER | |
| 23 | V104000600 | 1 | SHIELD, CYLINDER | |

Footnotes

1: MODEL: PB-650

2: MODEL: PB-650H, 650T, 750H, 750T

3: MODEL: PB-651H, 651T, 751H, 751T



Part Number Index

Click The Page Number After Any Part Number To View The Diagram Containing That Part.

| Part Number | Page | Part Number | Page | Part Number | Page |
|-------------|----------------|-------------|--------|-------------|--------|
| ----- | 17, 19, 23 | 90032303014 | 7, 9 | E165000150 | 29 |
| 001106 | 29 | 90034530025 | 17 | P003000180 | 19 |
| 10001500120 | 5 | 90050100010 | 7, 9 | P003000630 | 19 |
| 10021503930 | 5 | 90050300006 | 27 | P003000650 | 19 |
| 10090508261 | 25 | 90051600005 | 23, 25 | P003000660 | 19 |
| 10491508260 | 23 | 90052500006 | 29 | P003001130 | 19 |
| 12311005560 | 19 | 90056000004 | 27 | P021002982 | 5 |
| 12311440630 | 19 | 90056250005 | 23 | P021002990 | 5 |
| 12313440030 | 19 | 90060000006 | 29 | P021003440 | 33 |
| 12313905560 | 19 | 90060200010 | 7, 9 | P021005140 | 23 |
| 12314205560 | 19 | 90060300005 | 23 | P021005690 | 17 |
| 12314954230 | 19 | 90060500010 | 7, 9 | P021005700 | 17 |
| 12317245130 | 19 | 9110706020 | 21 | P021005930 | 33 |
| 12317307930 | 19 | 9114505016 | 23 | P021007850 | 33 |
| 12318005560 | 19 | 9114505020 | 23 | P022002080 | 11 |
| 12318140630 | 19 | 9114705025 | 25 | P022002100 | 11, 13 |
| 13030508360 | 17 | 9136704014 | 21 | P022003120 | 11, 13 |
| 13034108260 | 17 | 9403236302 | 5 | P022003130 | 11, 13 |
| 13100455530 | 15 | A011000140 | 5 | P022004680 | 13 |
| 13101655830 | 15 | A021000810 | 19 | P022010220 | 13 |
| 13103208360 | 17 | A051000201 | 11 | P022010230 | 13 |
| 13105156030 | 15 | A051000840 | 13 | P022010240 | 13 |
| 13120519830 | 15 | A052000041 | 11, 13 | P022010250 | 13 |
| 13132840630 | 15 | A101000020 | 5 | P022010260 | 11, 13 |
| 13201035430 | 15 | A101000030 | 5 | P022010270 | 13 |
| 13201326630 | 15 | A130000510 | 5 | P022010280 | 13 |
| 13211555930 | 15 | A160000340 | 23 | SB1070 | 5 |
| 14564206230 | 9 | A190000111 | 23 | V100000050 | 33 |
| 15111204630 | 5 | A200000070 | 17 | V100000100 | 5, 33 |
| 15611106160 | 7, 9 | A232000170 | 17 | V102000010 | 5, 33 |
| 15901019830 | 7, 9 | A239000010 | 17 | V103000080 | 17, 33 |
| 15901103432 | 7, 9 | A244000060 | 17 | V103000130 | 17, 33 |
| 15901203433 | 7, 9 | A259000000 | 19 | V103000140 | 17, 33 |
| 15901210230 | 7, 9 | A300000450 | 21 | V104000250 | 33 |
| 15901605330 | 7, 9 | A310000000 | 21 | V104000550 | 21, 33 |
| 15912908260 | 5 | A313000520 | 21 | V104000560 | 21, 33 |
| 17722006310 | 11 | A313000560 | 21 | V104000600 | 21, 33 |
| 17722606310 | 11 | A322000020 | 23 | V152000770 | 23 |
| 17722742030 | 11, 13 | A350000151 | 15 | V186000080 | 15 |
| 17722811620 | 11, 13 | A356000030 | 15 | V307000060 | 5 |
| 17723606910 | 11 | A392000000 | 15 | V336000000 | 27 |
| 17723661830 | 13 | A409000110 | 7 | V401000070 | 25 |
| 17811122330 | 23 | A409000250 | 9 | V420000570 | 23 |
| 17816021060 | 27 | A415000000 | 7, 9 | V430000440 | 27 |
| 21040000660 | 17 | A425000000 | 7, 9 | V451000280 | 27 |
| 30010508260 | 25 | C061000110 | 25 | V456000000 | 27 |
| 30033306160 | 25 | C066000000 | 25 | V471000550 | 15 |
| 60403021060 | 27 | C453000020 | 27 | V471000610 | 15 |
| 61301907350 | 25 | C456000030 | 27 | V475001970 | 27 |
| 69911804560 | 27 | C471000050 | 27 | V485000060 | 27 |
| 88995021060 | 27 | C471000060 | 27 | V485000190 | 7, 9 |
| 89011817930 | 11, 13 | C472000000 | 25 | V485000210 | 27 |
| 89016006361 | 23 | C472000010 | 27 | V491000040 | 25 |
| 89016009461 | 23 | C617000150 | 25 | V494000080 | 27 |
| 89033252730 | 17 | C626000010 | 25 | V495000430 | 29 |
| 90010006045 | 29 | C626000020 | 25 | V495000440 | 29 |
| 90010505020 | 25 | C626000030 | 25 | V495000590 | 17 |
| 90010505055 | 17 | C632000041 | 23 | V508000010 | 5 |
| 90010505060 | 23 | C632000051 | 23 | V555000010 | 5 |
| 90010506035 | 9 | E100000040 | 7 | V608000010 | 5 |
| 90010605008 | 23 | E100000041 | 9 | X502000060 | 29 |
| 90010605014 | 11, 13, 15, 21 | E103000132 | 23 | X503002650 | 31 |
| 90010605020 | 23, 27 | E103000141 | 23 | X503004870 | 31 |
| 90010605025 | 17 | E104000040 | 23 | X503004880 | 31 |
| 90010605030 | 7 | E104000050 | 23 | X503004890 | 31 |
| 90010605035 | 17 | E109000010 | 23 | X503004900 | 31 |
| 90016205018 | 5, 7, 9 | E160000090 | 29 | X503005570 | 31 |
| 90016205022 | 5 | E164000051 | 29 | X503005580 | 31 |
| 90016205035 | 5 | E165000010 | 29 | X503005590 | 31 |
| 90016206035 | 5 | E165000020 | 29 | X503005600 | 31 |
| 90023805025 | 17 | E165000110 | 29 | X508000140 | 31 |
| 90024605014 | 23 | E165000130 | 29 | X508000180 | 31 |
| 90025305010 | 23 | E165000140 | 29 | | |



Part Description Index

Click The Page Number After Any Part Description To View The Diagram Containing That Part.

A

ADAPTOR, SPARK PLUG CAP.....7, 9
ARM, TRIGGER.....27

B

BACKPACK HARNESS ASY.....25
BAND.....17
BEARING, BALL.....5
BEARING, NEEDLE.....5
BODY, AIR PURGE.....19
BODY, CARBURETOR.....19
BOLT.....23
BOLT 5X14.....11, 13, 15, 21
BOLT 5X16.....23
BOLT 5X18.....5, 7, 9
BOLT 5X20.....23, 25
BOLT 5X22.....5
BOLT 5X25.....17, 25
BOLT 5X30.....7
BOLT 5X35.....5, 17
BOLT 5X55.....17
BOLT 5X60.....23
BOLT 5X8.....23
BOLT 6X35.....5, 9
BOLT 6X45.....29
BRACKET CABLE.....19
BULB, PURGE.....19

C

CABLE, THROTTLE.....27
CAP, DUST.....27
CAP, SPARK PLUG.....7, 9
CARBURETOR.....17
CARBURETOR -- WYK-192.....19
CASE, AIR CLEANER.....17
CASE, FAN - FRONT.....23
CASE, FAN - REAR.....23
CD IGNITION MODULE.....7, 9
CIRCLIP, PISTON PIN.....5
CLAMP.....29
CLAMP KIT.....17
CLEANER CASE ASY.....17
CLIP.....15, 17, 23
CLIP, SWIVEL.....19
COLLAR.....23
CONNECTOR, FUEL CAP.....15
COVER, CYLINDER.....23
COVER, DUST.....5
COVER, ENGINE.....23
COVER, FUEL TANK.....15
COVER, PURGE PUMP.....19
COVER, VENT.....15
CRANKCASE KIT.....5
CRANKSHAFT ASY.....5
CUSHION.....23, 25
CUSHION 5.....25
CUSHION, BACKPACK.....25
CYLINDER.....5

D

DEFLECTOR, EXHAUST.....21
DIAPHRAGM, PUMP.....19
DIAPHRAGM/GASKET KIT.....19

DOWEL PIN.....5
DRUM, STARTER.....11, 13

E

E-RING.....11, 13

F

FAN, BLOWER.....7, 9
FILTER, AIR.....17
FILTER, FUEL.....15
FIXTURE, HARNESS.....25
FIXTURE, TRIGGER - LEFT.....27
FIXTURE, TRIGGER - RIGHT.....27
FIXTURE, TRIGGER BRACKET.....25, 27
FLANGE BOLT.....21
FLANGE BOLT 5X20.....27
FLANGE NUT 5.....23, 25
FLYWHEEL.....7, 9
FRAME, BACKPACK.....25
FRICTION WASHER.....27
FUEL TANK CAP ASY.....15

G

GASKET KIT.....33
GASKET, CRANKCASE.....5, 33
GASKET, CYLINDER.....5, 33
GASKET, EXHAUST.....21, 33
GASKET, FUEL CAP.....15
GASKET, INTAKE.....17, 33
GASKET, METERING DIAPHRAGM.....19
GASKET, PUMP.....19
GRID, BLOWER.....23
GRID, BLOWER - LOWER.....23
GRID, BLOWER - UPPER.....23
GRIP, STARTER.....11, 13
GROMMET.....5, 15
GUIDE, EXHAUST.....21
GUIDE, ROPE.....11, 13

H

HANDLE KIT.....29
HOLDER, SPRING.....27

I

INSULATOR, INTAKE.....17
INSULATOR, MUFFLER.....23

J

JOINT, PIPE.....15

K

KNOB.....17

L

LABEL, CAUTION.....23
LABEL, CHOKE.....17
LABEL, ECHO.....11, 13, 29
LABEL, HOT.....23
LABEL, MODEL -- PB-650.....31
LABEL, MODEL -- PB-650H.....31
LABEL, MODEL -- PB-650T.....31
LABEL, MODEL -- PB-651H.....31

LABEL, MODEL -- PB-651T.....31
LABEL, MODEL -- PB-750H.....31
LABEL, MODEL -- PB-750T.....31
LABEL, MODEL -- PB-751H.....31
LABEL, MODEL -- PB-751T.....31
LABEL, NOISE.....31
LEAD.....7, 9, 27
LEAF GUARD KIT.....23
LEVER, METERING.....19
LEVER, THROTTLE.....27
LID, CLEANER.....17
LOCKNUT.....23, 27

M

METERING, DIAPHRAGM.....19
MUFFLER.....21

N

NEEDLE, HIGH SPEED.....19
NUT.....27
NUT 10.....7, 9

O

OIL SEAL.....5

P

PAWL, STARTER.....11, 13
PIN, METERING LEVER.....19
PIN, PISTON.....5
PIPE, BLOWER.....29
PIPE, ELBOW.....29
PIPE, FLEXIBLE.....29
PIPE, FUEL - 3X6X230mm.....15
PIPE, INTAKE.....17
PIPE, RETURN - 3X6X145mm.....15
PIPE, STRAIGHT.....29
PIPE, SWIVEL.....29
PIPE, VENT - 3X6X145mm.....15
PISTON KIT.....5
PLATE, ANGLE.....23
PLATE, ENGINE.....23
PLATE, FRICTION.....13
PLATE, PREVENT.....17
PLUG.....19
PLUG, FAN CASE.....23
PUMP BODY ASY.....19

R

REPAIR KIT.....19
RETAINER.....25
RETAINER, ROPE.....11, 13
RING, HARNESS.....25
RING, PACKING.....19
RING, PISTON.....5
ROPE, STARTER - 3.5X 1000mm.....11, 13

S

SCREEN, ARRESTOR.....21
SCREEN, INLET.....19
SCREW.....11, 13
SCREW 4.....27
SCREW 4X14.....21
SCREW 5X10.....23



Part Description Index (continued)

SCREW 5X14.....23
SCREW 5X25.....17
SCREW, CABLE BRACKET.....19
SCREW, IDLE ADJUST.....19
SCREW, METERING LEVER PIN.....19
SCREW, PURGE PUMP COVER.....19
SHIELD, CYLINDER.....17, 21, 33
SHIELD, MUFFLER.....21, 33
SHORT BLOCK.....5
SNAP.....25
SPARK PLUG -- BPM-8Y.....7, 9
SPARK PLUG -- BPMR-8Y.....7, 9
SPRING.....13
SPRING PIN.....17
SPRING WASHER.....7, 9
SPRING, METERING LEVER.....19
SPRING, RETURN.....11, 13
SPRING, REWIND.....11, 13
SPRING, TENSION.....27
STARTER PAWL ASY.....11, 13
STARTER, RECOIL.....11, 13
SWIVEL.....19

T

TANK, FUEL.....15
TAPPING SCREW 5.....27
TERMINAL, SPARK PLUG CAP.....7, 9
THROTTLE VALVE ASY.....19
TUBE.....7, 9, 27

V

VALVE, INLET NEEDLE.....19
VENT ASY.....15

W

WASHER.....9, 13, 19, 25, 27
WASHER 10.....5, 7, 9
WASHER 45.....27
WASHER 5.....23
WASHER 6.....29
WASHER, THRUST.....13
WING NUT 6.....29
WOODRUFF KEY.....7, 9

NOTES



ECHO, INCORPORATED

400 Oakwood Road
Lake Zurich, IL 60047 USA

WWW.ECHO-USA.COM
