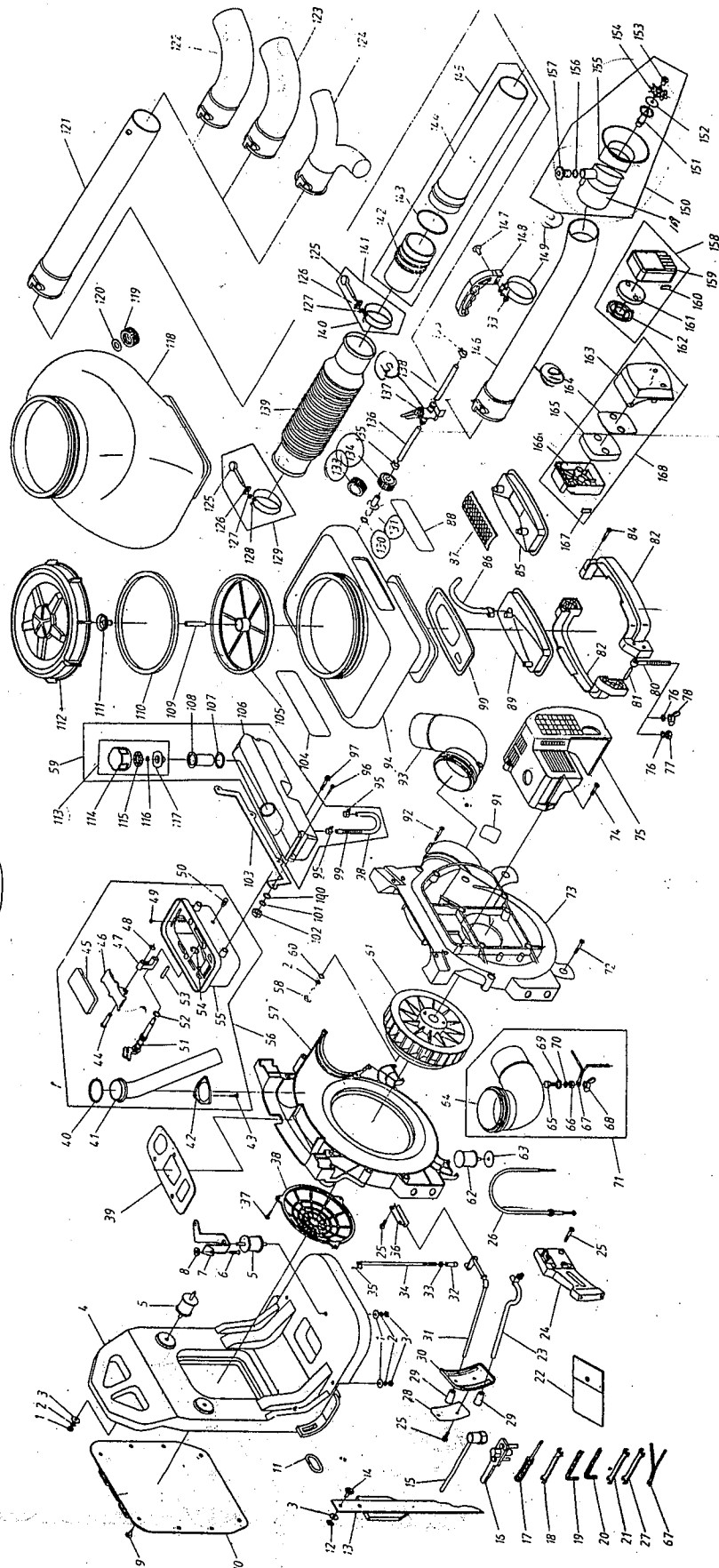


FIGURE 2 (3WF-2.6)(3WF-2.6A)



Appendix II List of Engine Parts of Attached Fig.2(I)

Ser. No.	Part No.	Part Name	Qty	Ser. No.	Part No.	Part Name	Qty
2-1	GB6170 M6	螺母 NUT	5	2-22	1E40F-26.00.08	工具袋 WORKBAG	1
2-2	GB859 6	垫圈 WASHER	7	2-23	3WF-2.6.7.2	油门操纵杆焊合 THROTTLE ROD	1
2-3	GB96 6	垫圈 WASHER	7	2-24	3WF-2.6A.11.2	连接梁组件 LINK FRAME	1
2-4	3WF-2.6.10-1	机架 FRAME	1	2-25	GB9074.4 M5×16	螺钉组合件 SCREW ASSEM	1
2-5	3WF-2.6A.6	减振柱组合 RUBBER PILLAR	3	2-26	3WF-2.6.3	油门绳部件 THROTTLE CABLE	1
2-6	GB818 M5×16	螺钉 SCREW	2	2-27	GB4388 12×14	双头呆扳手(-2.6不用) SPANNER(NOT USE IN -2.6)	1
2-7	3WF-2.6A.8	底支承组合 SUPPORT	1	2-28	3WF-2.6A.11.1-1	指示牌 SIGN	2
2-8	3WF-3-18	连接垫 LINK WASHER	2	2-29	3WF-3-5	手把 HANDLE	2
2-9	3WF-1.6.1-1	塑料夹子 PLASTIC CLIP	8	2-30	3WF-2.6A.11.1-2	调压器壳 GRADUATOR	1
2-10	3WF-2.6.8	背垫部件 BACK MAT	1	2-31	3WF-2.6.7.1	粉门操纵杆焊合 DUST ROD	1
2-11	EB-415.16-2	拉环 LOOP	2	2-32	3WF-3-15	接头体 CONNECTOR	1
2-12	GB39 M6	螺母 NUT	2	2-33	GB6170 M5	螺母 NUT	3
2-13	3WF-2.6A.5	背带部件 BELT COMPONENT	2	2-34	3WF-2.6.7-7	粉门拉杆 PULLING ROD	1
2-14	GB947 M6×16	螺钉 SCREW	2	2-35	3WF-2.6A-2	开口销 PIN	1
2-15	3WF-3.26.3	套筒扳手 SPANNER	1	2-36	3WF-2.6.7-6	压板 PLATE	1
2-16	3WF-3.26.1	拆卸器 DISASSEMBLY	1	2-37	GB9074.1 M4×10	螺钉组合件 SCREW ASSEM	3
2-17		4寸螺丝刀 SCREWDRIVE	1	2-38	3WF-2.6.9-1	风机网罩 NET COVER	1
2-18	GB4388 8×10	双头呆扳手 SPANNER	1	2-39	3WF-2.6A-3	闸门体密封垫 SEALING WAHER	1
2-19	GB4625 S=4	内六角扳手 SPANNER	1	2-40	3WF-3-9	密封圈 WASHER	1
2-20	GB4625 S=5	内六角扳手 SPANNER	1	2-41	3WF-2.6.6-1	下粉管 PIPE	1
2-21	GB4388 14×17	双头呆扳手(-2.6A不用) SPANNER(NOT USE IN -2.6A)	1	2-42	3WF-3-8	盖 LID	1

Appendix II List of Engine Parts of Attached Fig.2(II)

Ser. No.	Part No.	Part Name	Qty	Ser. No.	Part No.	Part Name	Qty
2-43	GB845 M4×10	自攻螺钉 SCREW	3	2-64	3WF-2.6A.4.2-1	风机接头(-2.6不用) FAN JOINT(NOT USE IN -2.6)	1
2-44	3WF-3.6-3	滑板销 PIN	1	2-65	GB5783 M6×20	螺栓(-2.6不用) SCREW(NOT USE IN -2.6)	1
2-45	3WF-3.6-2	橡胶盖板 RUBBER PLATE	1	2-66	GB6170 M6	螺母(-2.6不用) SCREW(NOT USE IN -2.6)	1
2-46	3WF-3.6-1	滑板 SLIDE	1	2-67	3WF-3.25.4	保险链 INSURANCE CHAIN	1
2-47	3WF-3.6-4	支承臂 SUPPORT ARM	1	2-68	GB62 M6	蝶型螺母(-2.6不用) SCREW(NOT USE IN -2.6)	1
2-48	GB896 5	挡圈 RING	1	2-69	3WF-2.6A.4.2-2	大垫圈(-2.6不用) WASHER(NOT USE IN -2.6)	1
2-49	GB9074.4M6×20	螺钉组合件 SCREW ASSEM	3	2-70	GB96 6	垫圈(-2.6不用) WASHER(NOT USE IN -2.6)	1
2-50	3WF-3-21	堵头 PLUG	1	2-71	3WF-2.6A.4.2	风机接头组装(-2.6不用) FAN JOINT(NOT USE IN -2.6)	1
2-51	3WF-3-22	摇臂轴 ROCKER SHAFT	1	2-72	GB818 M5×35	螺钉 SCREW	10
2-52	GB1235 14×2.4	O型密封圈 SEALING WASHER	1	2-73	3WF-2.6.9.3	前蜗壳组合 VOLUTE CASE	1
2-53	GB119 B6×55	销 PIN	1	2-74	GB70 M5×35	螺钉 SCREW	4
2-54	GB896 9	挡圈 RING	1	2-75	3WF-3-19	防护罩 PROTECTION	1
2-55	3WF-2.6.6.1	闸门体分部件 SHUTTER	1	2-76	GB96 8	垫圈 WASHER	2
2-56	3WF-2.6.6	闸门体部件 SHUTTER CASE	1	2-77	GB6170 M8	螺母(-2.6A不用) NUT(NOT USE IN -2.6A)	2
2-57	3WF-2.6.9.1	后蜗壳组合 VOLUTE CASE	1	2-78	GB62 M8	蝶型螺母(-2.6不用) NUT(NOT USE IN -2.6)	2
2-58	GB5783 M6×35	螺栓 BOLT	2	2-80	GB798 M8×90	螺栓 BOLT	2
2-59	3WF-2.6.2	油箱部件 FUEL TANK	1	2-81	GB119 B6×32	销 PIN	2
2-60	GB97.1 6	垫圈 WASHER	2	2-82	3WF-2.6A-1	夹紧板 CLAMP	2
2-61	3WF-2.6.9.2	叶轮组合 IMPELLER ASSEM	1	2-84	GB9074.4 M5×35	螺钉组合件 SCREW ASSEM	4
2-62	3WF-2.6A.7	支承柱部件 SUPPORT COMPONENT	2	2-85	3WF-3.7-2	喷粉盖板 DUSTING PLATE	1
2-63		垫 WASHER	2	2-86	3WF-3.20-1	输液短管 TUBE	1

Appendix II List of Engine Parts of Attached Fig.2(III)

Ser. No.	Part No.	Part Name	Qty	Ser. No.	Part No.	Part Name	Qty
2-87	3WF-2.6A.1-2	下粉隔板 PLATE	1	2-108	BG305.10.1	滤油网铸合 FILTER NET ASSEM	1
2-88	3WF-3-24	标牌(-2.6A不用) LABEL(NOT USE IN-2.6A)	1	2-109	SG79	管 $\phi 8 \times 1.5 \times 500$ TUBE	1
2-89	3WF-3.20-2	喷雾盖板 MISTING PLATE	1	2-110	3WF-3.17.1-3	药箱盖密封圈 SEALING WASHER	1
2-90	3WF-3.7-1	粉盖密封圈 SEALING WASHER	1	2-111	3WF-3.17.1-1	进气嘴 AIRVALVE	1
2-91	3WF-2.6-1	铭牌(-2.6A不用) SIGN(NOT USE IN-2.6A)	1	2-112	3WF-3.17.1-2	药箱盖 LID	1
2-92	GB70 M5×25	螺钉 SCREW	2	2-113	BG305.10.2	油箱盖组合 FUEL TANK LID	1
2-93	3WF-2.6.4-1	风机弯头 FAN JOINT	1	2-114	BG305.10.2-1	油箱盖 FUEL TANK LID	1
2-94	3WF-3.17-1	药箱 CHEMICAL TANK	1	2-115	BG305.10.2-3	塑料内盖 PLASTIC LID	1
2-95	3WF-3-3	小卡环 CLIP	2	2-116	BG-328.7-4	滤芯 FILTER NET	1
2-96	GB818 M5×16	螺钉 SCREW	2	2-117	BG305.10.2-2	橡胶内盖 RUBBER LID	1
2-97	GB9074.3 M5×40	螺钉组合件 SCREW ASSEM	2	2-118	3WF-2.6A.1-1	药箱(261)(-2.6不用) TANK(NOT USE IN-2.6)	1
2-98	BG415-6	油管 FUEL TUBE	1	2-119	BG415.7.1-1	油箱盖(-2.6不用) LID(NOT USE IN-2.6)	1
2-99	BG415-7	油管保护簧 TUBE SPRING	1	2-120	3WF-2.6A.1-3	药箱下盖胶垫(-2.6不用) WASHER(NOT USE IN-2.6)	1
2-100	GB97.1 5	垫圈 WASHER	2	2-121	3WF-2.6.4-4	直管乙(-2.6A不用) PIPE(NOT USE IN-2.6A)	1
2-101	GB859 5	垫圈 WASHER	2	2-122	3WF-2.6.4-6	L型接管(-2.6A不用) Y-PIPE(NOT USE IN-2.6A)	1
2-102	GB6170 M5	螺母 NUT	2	2-123	3WF-2.6.4-3	耐咬接头(-2.6A不用) CONNECTOR(NOT USE IN-2.6A)	1
2-103	3WF-2.6-3	油箱支架 SUPPORT FRAME	1	2-124	3WF-2.6.4-5	Y型管(-2.6A不用) Y-PIPE(NOT USE IN-2.6A)	1
2-104	3WF-3-11	说明牌 SIGN PLATE/PILLAR	1	2-125	3WF-3.19.5-2	螺钉 SCREW	2
2-105	3WF-3.20:1	滤网组件 FILTER NET	1	2-126	3WF-3.19.4-3	挡板 STOPPER	2
2-106	3WF-2.6.2-1	油箱 FUEL TANK	1	2-127	3WF-3.19.4-4	厚垫圈 THICK WASHER	2
2-107	BG305.10-2	滤网密封垫 SEALING WASHER	1	2-128	3WF-3.19.5-1	卡环 CLIP	1

Appendix II List of Engine Parts of Attached Fig.2(IV)

Ser. No.	Part No.	Part Name	Qty	Ser. No.	Part No.	Part Name	Qty
2-129	3WF-3.19.5	卡环组件 CLIP ASSEM	1	2-150	3WF-2.7.3	喷头组装 NOZZLE ASSEM	1
2-130	3WF-3.17.2-2	药箱下盖密封圈 SEALING WASHER	1	2-151	3WF-2.7.3-2	喷嘴 NOZZLE	1
2-131	3WF-3.20.2-2	接管 LINK PIPE	1	2-152	3WF-2.7.3-3	垫片 WASHER	1
2-133	3WF-3.17.2-1	药箱下盖 LID	1	2-153	3WF-2.7.3-5	套座 SEAT	1
2-134	3WF-3.20.2-1	接管压盖 CONNECTOR LID	1	2-154	3WF-2.7.3-4	旋转叶轮 ROTATION IMPELLER	1
2-135	3WF-3.19-1	小卡环甲 CLIP	4	2-155	3WF-2.7.3-6	喇叭口 NOZZLE	1
2-136	SG79	管 $\phi 10 \times 1.5 \times 830$ TUBE	1	2-156	GB1235 16 \times 2.4	O型密封圈 SEALING WASHER	1
2-137	3WF-3.19.1	开关组合 COCK ASSEM	1	2-157	3WF-3.19.3-3	调量阀 VALVE	1
2-138	SG79	管 $\phi 10 \times 1.5 \times 780$ TUBE	1	2-158	1E40F-3A.T ₂	空滤器(-2.6不用) AIR CLEANER (NOT USE IN-2.6)	1
2-139	ZB4-5-02	软管 HOSE	1	2-159	1E40F-3A.T ₂ -1	空滤器体(-2.6不用) AIR CLEANER BODY (NOT USE IN-2.6)	1
2-140	3WF-2.6A.4.1-1	卡环 CLIP	1	2-160	1E40F-3A.3-5	风门开关标志(-2.6不用) LABEL (NOT USE IN-2.6)	1
2-141	3WF-2.6A.4.1	卡环组件 CLIP ASSEM	1	2-161	1E36F.16-2	滤芯(-2.6不用) FILTER CORE (NOT USE IN-2.6)	1
2-142	3WF-2.6.4.1-2	接头 CONNECTOR	1	2-162	1E40F-3A.T ₂ -2	空滤器挡板(-2.6不用) BACK PLATE (NOT USE IN-2.6)	1
2-143	GB1235 65 \times 3.1	O型密封圈 SEALING WASHER	1	2-163	1E40F-3A.3-4	空滤器外罩(-2.6A不用) OUTSIDE COVER (NOT USE IN-2.6A)	1
2-144	3WF-2.6.4.1-1	直管 PIPE	1	2-164	1E40F-3A.3-2	菱形网(-2.6A不用) RHOMBUS NET (NOT USE IN-2.6A)	1
2-145	3WF-2.6.4.1	接头组装 CONNECTOR	1	2-165	1E40F-3A.3-3	滤芯(-2.6A不用) FILTER CORE (NOT USE IN-2.6A)	1
2-146	3WF-2.6.4-2	长弯管 PIPE	1	2-166	1E40F-3A.3-1	空滤器内罩(-2.6A不用) INSIDE COVER (NOT USE IN-2.6A)	1
2-147	GB9074.4 M5 \times 25	螺钉组合件 SCREW ASSEM	2	2-167	1E40F-3A.3-5	风门开关标志(-2.6A不用) LABEL (NOT USE IN-2.6A)	1
2-148	3WF-2.7-3	提把 HANDLE	1	2-168	1E40F-3A.3	空气滤清器(-2.6A不用) AIR CLEANER (NOT USE IN-2.6A)	1
2-149	ZB4-5-4-01	手把卡箍 CLAMP	1	2-169	3WF-2.7.3-1	喷口 NOZZLE	1

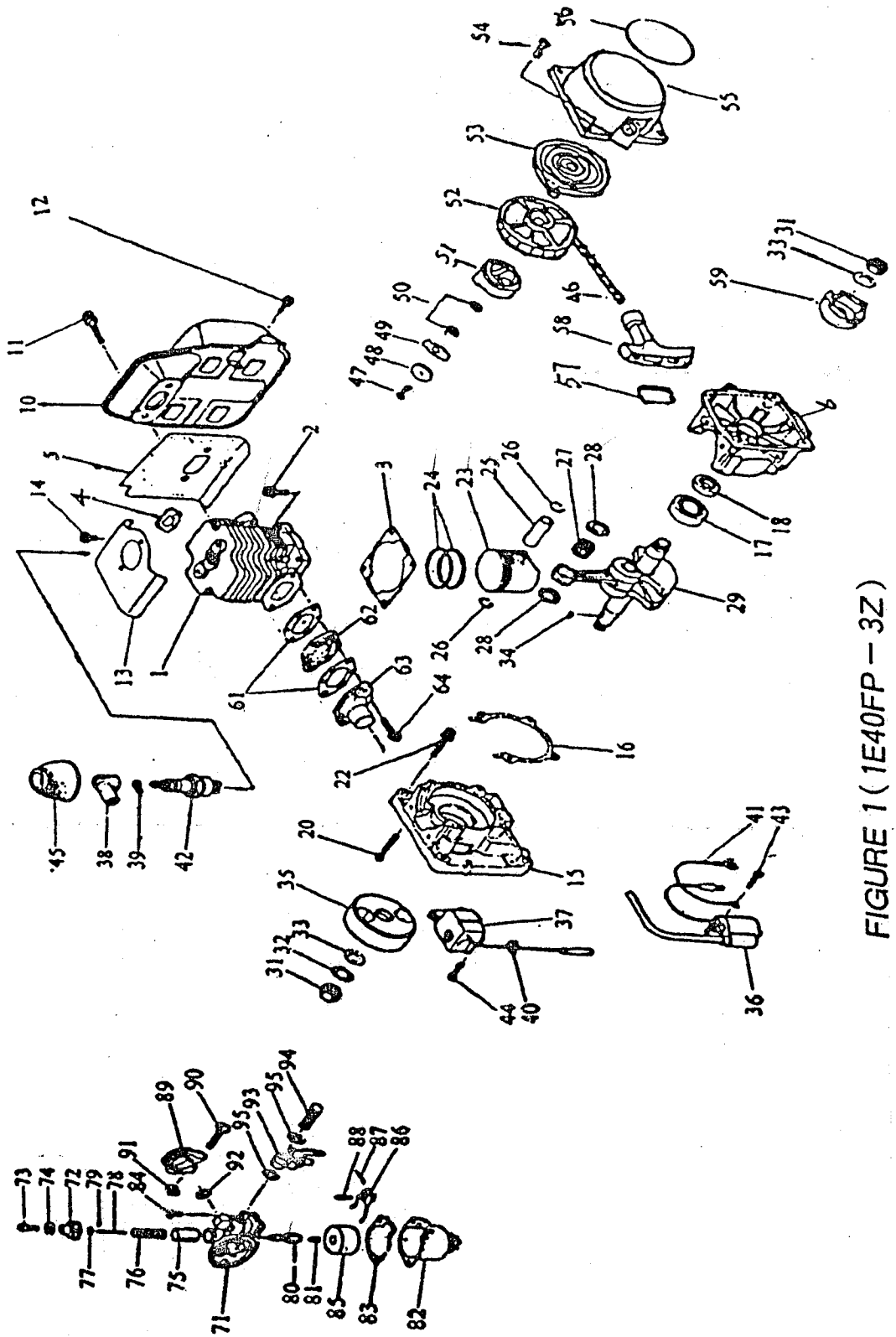


FIGURE 1 (1E40FP - 3Z)

Appendix I List of Engine Parts of Attached Fig.1(I)

Ser. No.	Part No.	Part Name	Qty	Ser. No.	Part No.	Part Name	Qty
1-1	1E40FP-3Z-7	气缸体 CYLINDER	1	1-28	1E40FP-3Z.3-6	止推垫圈 WASHER	2
1-2	GB70-85	螺钉 M5×20 BOLT	4	1-29	1E40FP-3Z.3.1	曲轴连杆组 CRANKSHAFT	1
1-3	1E40FP-3Z-6	缸体密封垫 GASKET	1	1-31	1E40FP-3Z-16	螺母 NUT	2
1-4	1E40FP-3Z-18	消音器隔热垫 GASKET	2	1-32	GB859-87-10	垫圈 WASHER	2
1-6	1E40FP-3Z-12	后半曲轴箱 BACK CRANKCASE	1	1-33	GB848-85-10-140HV	垫圈 WASHER	2
1-5	1E40FP-3Z-5	消音器挡风板 GASKET	1	1-34	1E40FP-3Z.3-1	半圆键 KEY	1
1-10	1E40FP-3Z.2	消音器 MUFFLER	1	1-35		磁电机转子 ROTOR	1
1-11	GB70-85	螺钉 M6×35 BOLT	2	1-36		点火线圈 COLL	1
1-12	GB818-85	螺钉 SCREWM5×12	1	1-37		定子线圈 COIL	1
1-13	1E40FP-3Z-8	导风罩 COVER	1	1-38	1E40FP-3Z-21	火花塞帽 CAP	1
1-14	GB818-85	螺钉 M5×10 SCREW	2	1-39	1E40FP-3Z-22	火花塞卡簧 SPRING	1
1-15	1E40FP-3Z-14	前半曲轴箱 FRONT CRANKCASE	1	1-40	1E40FP-3Z-20	点火线圈固定套 GROMMET	1
1-16	1E40FP-3Z-13	曲轴箱密封垫 GASKET	1	1-41		连接线 CABLE	1
1-17	GB276-82	轴承 C202 BEARING	2	1-42	4106J	火花塞 PLUG	1
1-18	1E40FP-3Z-11	小油封 SEAL	2	1-43	GB845-85 ST4-2×16-C-H	自攻螺钉 SCREW	2
1-20	GB70-85	螺钉 M5×30 SCREW	4	1-44	GB818-85	螺钉 M4×16 SCREW	1
1-22	GB70-85	螺钉 BOLT M6×30	4	1-45	1E40FP-3Z-9	火花塞罩壳 CAP	1
1-23	1E40FP-3Z.3-2	活塞 PISTON	1	1-46	1E40FP-3Z.4-9	拉绳 ROPE	1
1-24	1E40FP-3Z.3-5	活塞环 PISTON RING	2	1-47	GB67-85	螺钉 M5×12 SCREW	1
1-25	1E40FP-3Z.3-3	活塞销 PISTON PIN	1	1-48	1E40FP-3Z.4-4	垫圈 WASHER	1
1-26	1E40FP-3Z.3-4	活塞销挡环 RING	2	1-49	1E40FP-3Z.4-5	导向片 GUIDE SLICE	1
1-27	1E40FP-3Z.3.2	小头滚针轴承 BEARING	1	1-50	GB860-87.8	垫圈 WASHER	1

Appendix I List of Engine Parts of Attached Fig.1(II)

Ser. No.	Part No.	Part Name	Qty	Ser. No.	Part No.	Part Name	Qty
1-51	1E40FP-3Z.4-8	起动轮 START WHEEL	1	1-81		喷口 JET	
1-52	1E40FP-3Z.4-6	起动滑轮 PULLEY	1	1-82		浮子室 FLOAT CHAMBER	1
1-53	1E40FP-3Z.4-7	平圆弹簧 SPRING	1	1-83		浮子室密封垫 GASKET	
1-54	GB818-85	螺钉 M5×20 SCREW	4	1-84	GB818-85	螺 钉 M4×12 SCREW	2
1-55	1E40FP-3Z.4-1	起动器罩壳 CASE	1	1-85		浮子 FLOAT	1
1-56	1E40FP-3Z-17	标签 LABEL	1	1-86		针阀支架 HINGE	1
1-58	1E40FP-3Z.4-2	起动器手把 HANDLE	1	1-87		针阀轴 PIN	1
1-59	1E40FP-3Z-19	起动拨盘 RATCHET	1	1-88		针 阀 VALVE	1
1-61	1E40FP-3Z-4	衬 垫 GASKET	2	1-89		固定卡环 BAND	1
1-62	1E40FP-3Z-3	隔热垫 INSULATOR	1	1-90		螺 钉 BOLT	1
1-63	1E40FP-3Z-2	进气管 PIPE	1	1-91		方螺母 NUT	1
1-64	GB818-85	螺 钉 M5×25 SCREW	1	1-92		密封圈 PACKING	1
1-71		化油器体 BODY	2	1-93		油开关 SWITCH	1
1-72		压 盖 CAP	1	1-94		空心螺丝 BOLT	
1-73		调整螺栓 BOLT	1	1-95		油开关密封圈 PACKING	2
1-74		锁紧螺母 NUT	1				
1-75		调风量活塞 PISTON	1				
1-76		弹簧 SPRING	1				
1-77		卡 环 RING	1				
1-78		油 针 NEEDLE	1				
1-79		油针卡环 CLIP	1				
1-80		喷管 PIPE	1				