



## AVAILABLE ATTACHMENTS & ACCESSORIES

### Accessories

|             |                                |
|-------------|--------------------------------|
| 35130455830 | U-Handle Kit                   |
| 99944200200 | SRM Shoulder Harness Kit       |
| 99944200415 | Universal Blade Conversion Kit |
| 99944200455 | Barrier Bar                    |
| SRAC-400    | Tiller/Cultivator Attachment   |

### Cutting Blades (Requires Blade Conversion Kit)

|             |   |
|-------------|---|
| 69500121431 | 10" 80 Tooth Brush Blade                  |
| 69600121431 | 8" 8 Tooth Blade                          |
| 89850308030 | 8" Blade Protector                        |
| 99944200045 | Tri-Cut Blade with Glide Cup - 25mm Arbor |
| 99944200048 | 3 Cutter Metal Blade - 25mm Arbor         |
| 99944200140 | 22 Tooth Clearing Saw Blade -- 25mm Arbor |

### Cutting Heads

|             |                            |
|-------------|----------------------------|
| 215211      | Pro Maxi-Cut Head          |
| 21560030    | Echomatic Pro Head         |
| 21560050    | Semi-Auto Head Assembly    |
| 21560055    | Semi-Auto Head Assembly    |
| 21560056    | 2-Line Rapid Loader        |
| 21560060    | SRM Manual Dual Line Head  |
| 99944200220 | Heavy Duty Fixed Line Head |
| 99944200221 | 3-Line Rapid Loader        |
| 99944200230 | Semi-Auto Dual Line Head   |
| 99944200250 | Echomatic II Trimmer Head  |

# PARTS CATALOG

## SRM-340 TRIMMER/ BRUSHCUTTER

**34cc**

**MODEL: SERIAL NUMBERS**

**SRM-340: S/N: 04001001 - 04999999**

**ECHO, INCORPORATED**

400 Oakwood Road Lake Zurich, Illinois 60047 USA

WWW.ECHO-USA.COM



# Table of Contents

---

## **SRM-340 S/N: 04001001 - 04999999**

|  |    |
|--|----|
| Carburetor - WT-418B.....                                | 4  |
| Engine, Short Block, Cylinder Cover.....                 | 6  |
| Gear Case, Shields, Tools.....                           | 8  |
| Handle, Ignition Switch, Throttle Cable, Driveshaft..... | 10 |
| Ignition, Starter, Clutch, Fuel System.....              | 12 |
| Intake, Exhaust.....                                     | 16 |
| <br>   |    |
| Part Number Index.....                                   | 18 |
| Part Description Index.....                              | 19 |
| Service Publications.....                                | 3  |

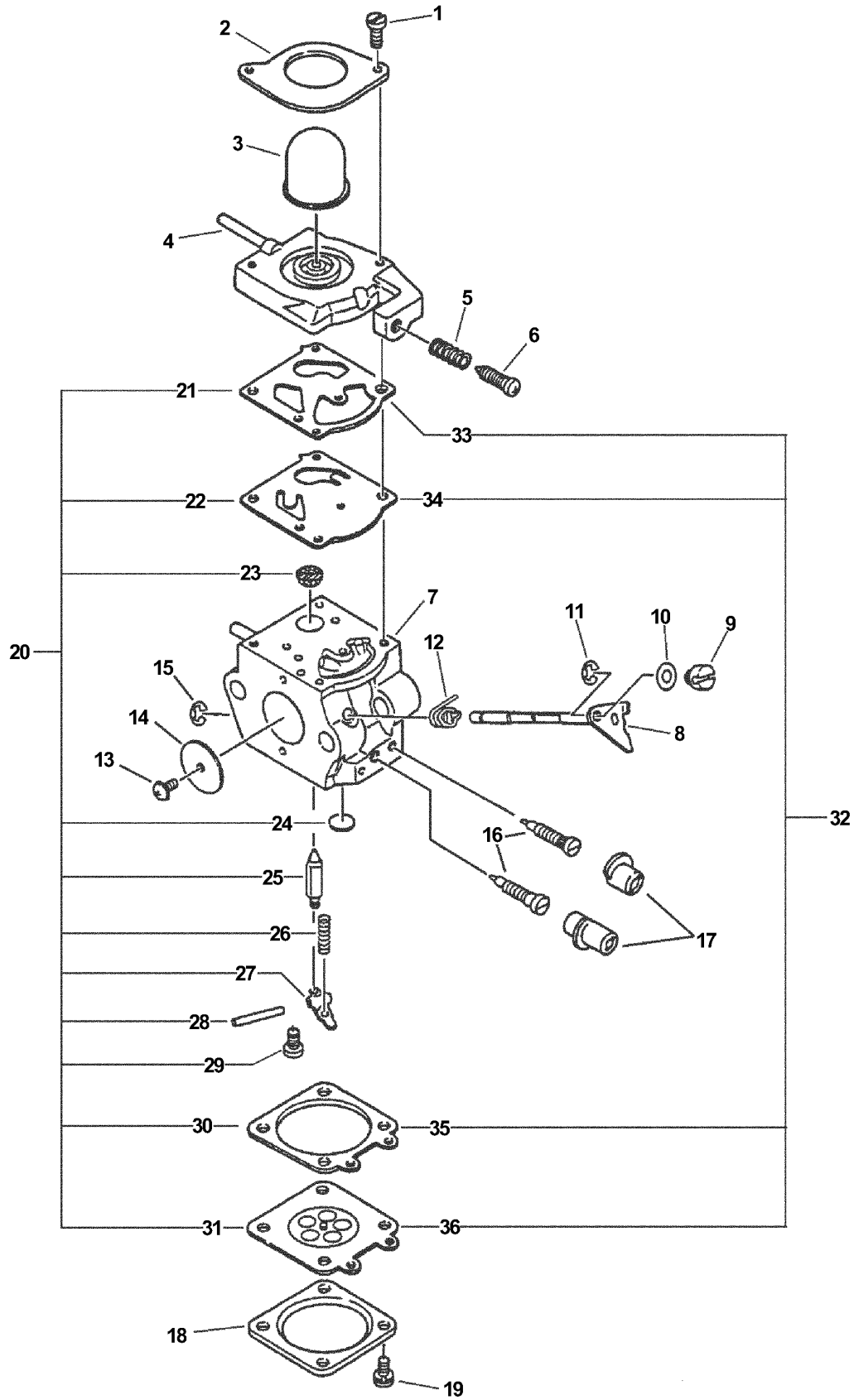


# Service Publications

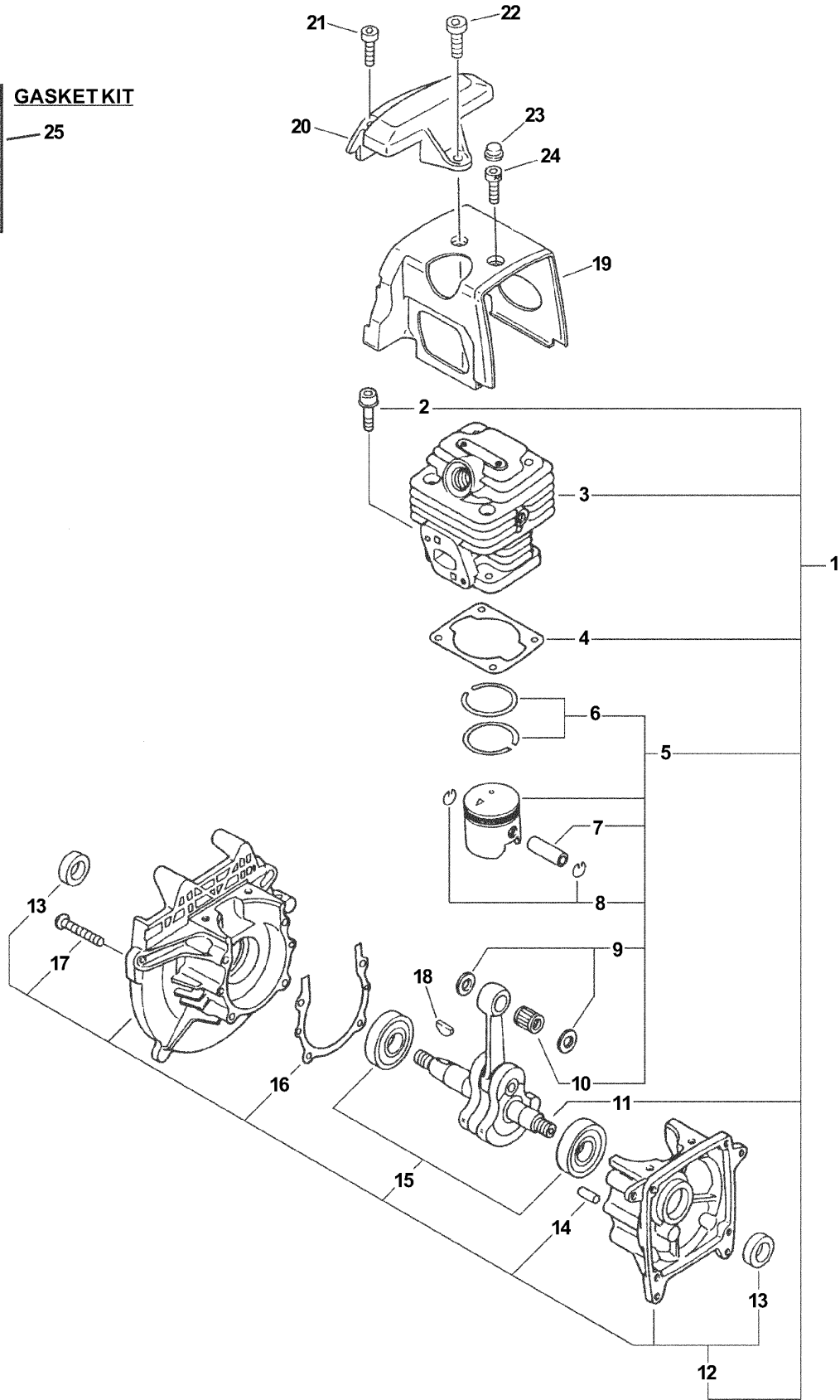
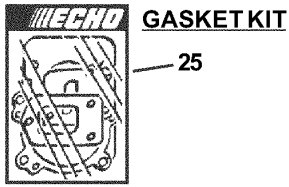
This literature section lists which literature is available for the models included in this manual.

The literature below can be found by clicking on '[View](#)' (below) or by going to this website: [www.echoincorporated.com](http://www.echoincorporated.com)

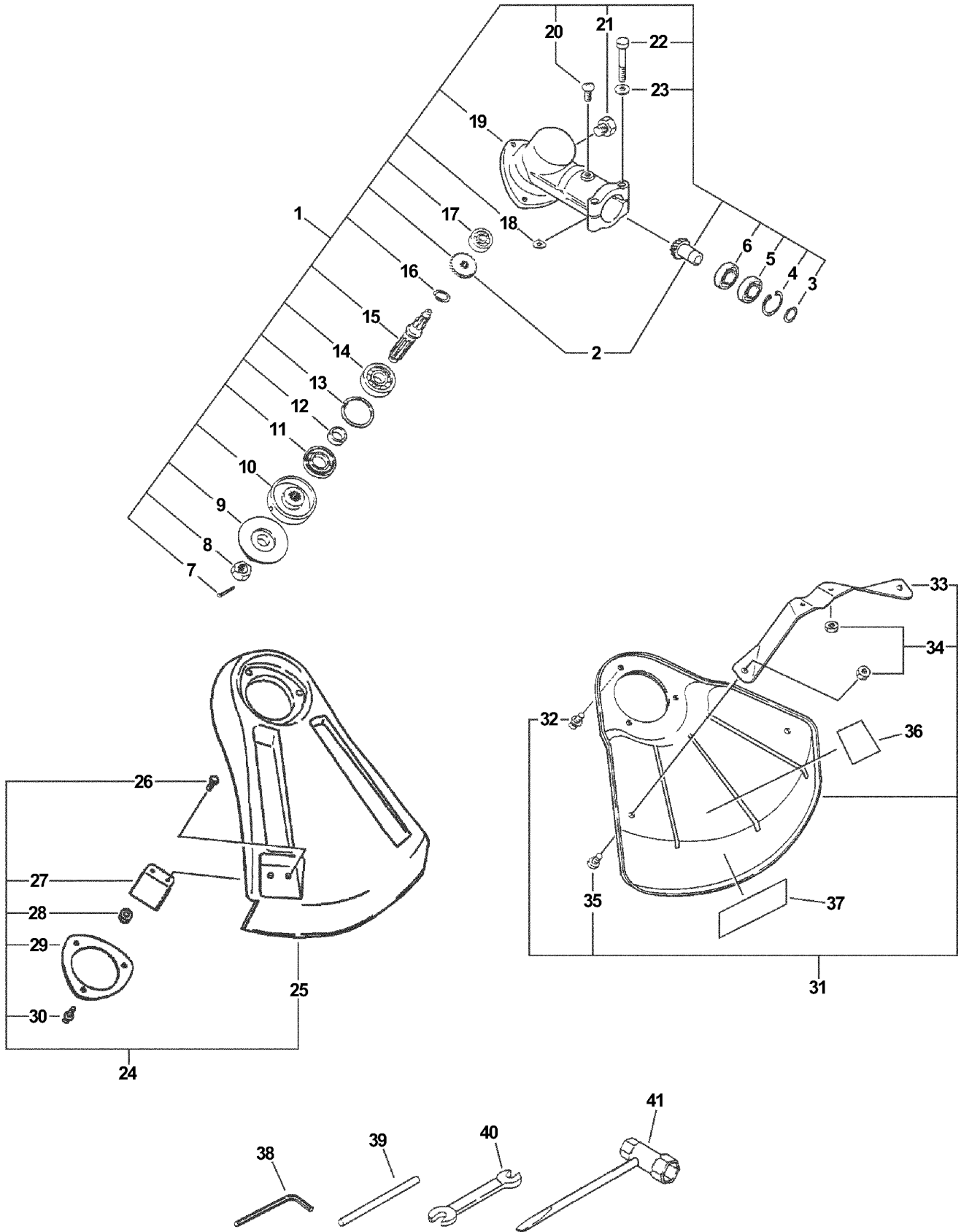
| <u>Model</u>                            | <u>Literature Title</u>                                     | <u>Literature Type</u> | <u>View</u>          |
|---|---|------------------------|----------------------|
| <b>SRM-340 S/N: 04001001 - 04999999</b> | 04-13 Fuel Line Replacement Under Fuel Line Recall Program  | Service Bulletin       | <a href="#">View</a> |
|   | 04-13C Fuel Line Replacement Under Fuel Line Recall Program | Service Bulletin       | <a href="#">View</a> |
|   | SB 0608_SRM Shoulder Harness                                | Service Bulletin       | <a href="#">View</a> |
|   | SRM-340_022106  | Parts Manual           | <a href="#">View</a> |



| ITEM      | PART NUMBER | QTY | DESCRIPTION                     | REMARKS                  |
|-----------|-------------|-----|---------------------------------|--------------------------|
|           | 12300055832 | 1   | CARBURETOR -- WT-418B           |                          |
| <b>1</b>  | 12311043130 | 2   | SCREW, PURGE PUMP COVER         |                          |
| <b>2</b>  | 12314209560 | 1   | COVER, PURGE PUMP               |                          |
| <b>3</b>  | 12318109560 | 1   | PUMP, PURGE                     |                          |
| <b>4</b>  | 12312443230 | 1   | PURGE BASE ASY                  |                          |
| <b>5</b>  | 12313304260 | 1   | SPRING, IDLE ADJUST             |                          |
| <b>6</b>  | 12313404260 | 1   | SCREW, IDLE ADJUST              |                          |
| <b>7</b>  |             | 1   | BODY, CARBURETOR                | NOT AVAILABLE SEPARATELY |
| <b>8</b>  | 12311755830 | 1   | SHAFT, THROTTLE                 |                          |
| <b>9</b>  | 12317226030 | 1   | SWIVEL                          |                          |
| <b>10</b> | 12314926030 | 1   | WASHER                          |                          |
| <b>11</b> | 12317307930 | 1   | CLIP, SWIVEL                    |                          |
| <b>12</b> | 12311352130 | 1   | SPRING, THROTTLE RETURN         |                          |
| <b>13</b> | 12311403930 | 1   | SCREW, THROTTLE VALVE           |                          |
| <b>14</b> | 12311623230 | 1   | VALVE, THROTTLE                 |                          |
| <b>15</b> | 12312715030 | 1   | CLIP, THROTTLE SHAFT            |                          |
| <b>16</b> | 12312003661 | 2   | NEEDLE, MIXTURE                 |                          |
| <b>17</b> | 12315139530 | 2   | CAP, MIXTURE LIMITER            |                          |
| <b>18</b> | 12314203930 | 1   | COVER, METERING DIAPHRAGM       |                          |
| <b>19</b> | 12313002960 | 4   | SCREW, METERING DIAPHRAGM COVER |                          |
| <b>20</b> | 12310055730 | 1   | REPAIR KIT                      | INCLUDES ITEMS 21-31     |
| <b>21</b> |             | 1   | GASKET, FUEL PUMP               |                          |
| <b>22</b> |             | 1   | DIAPHRAGM, FUEL PUMP            |                          |
| <b>23</b> |             | 1   | SCREEN, INLET                   |                          |
| <b>24</b> |             | 1   | PLUG, WELCH                     |                          |
| <b>25</b> |             | 1   | VALVE, INLET NEEDLE             |                          |
| <b>26</b> |             | 1   | SPRING, METERING LEVER          |                          |
| <b>27</b> |             | 1   | LEVER, METERING                 |                          |
| <b>28</b> |             | 1   | PIN, METERING LEVER             |                          |
| <b>29</b> |             | 1   | SCREW, METERING LEVER PIN       |                          |
| <b>30</b> |             | 1   | GASKET, METERING DIAPHRAGM      |                          |
| <b>31</b> |             | 1   | DIAPHRAGM, METERING             |                          |
| <b>32</b> | 12310155730 | 1   | DIAPHRAGM/GASKET KIT            | INCLUDES ITEMS 33-36     |
| <b>33</b> |             | 1   | GASKET, FUEL PUMP               |                          |
| <b>34</b> |             | 1   | DIAPHRAGM, FUEL PUMP            |                          |
| <b>35</b> |             | 1   | GASKET, METERING DIAPHRAGM      |                          |
| <b>36</b> |             | 1   | DIAPHRAGM, METERING             |                          |

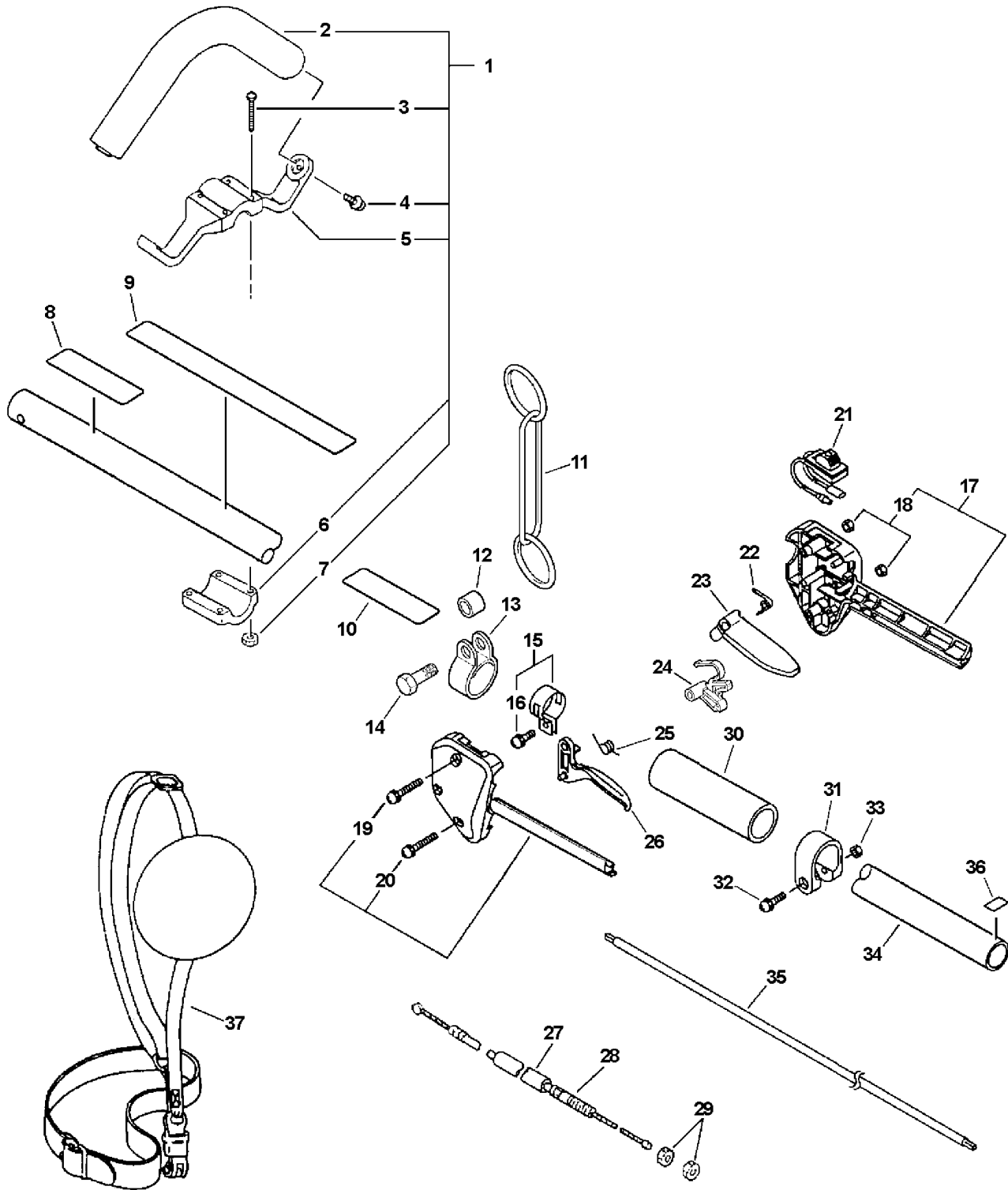


| ITEM | PART NUMBER | QTY | DESCRIPTION         | REMARKS                                      |
|------|-------------|-----|---------------------|--|
| 1    | SB1029      | 1   | SHORT BLOCK         | INCLUDES ITEMS 2-17; OPTIONAL ENGINE REPOWER |
| 2    | 90016205020 | 4   | BOLT 5X20           |  |
| 3    | A130000600  | 1   | CYLINDER            |  |
| 4    | 10101055430 | 1   | GASKET, CYLINDER    | Also included In GASKET KIT                  |
| 5    | P021007410  | 1   | PISTON KIT          | INCLUDES ITEMS 6-10                          |
| 6    | 10001142230 | 2   | RING, PISTON        |  |
| 7    | 10001327430 | 1   | PIN, PISTON         |  |
| 8    | 10001503931 | 2   | CIRCLIP, PISTON PIN |  |
| 9    | 10001453630 | 2   | SPACER, PISTON PIN  |  |
| 10   | 10001216131 | 1   | BEARING, NEEDLE     |  |
| 11   | 10010055430 | 1   | CRANKSHAFT          |  |
| 12   | 10020455430 | 1   | CRANKCASE KIT       | INCLUDES ITEMS 13-17                         |
| 13   | 10021305530 | 2   | OIL SEAL            |  |
| 14   | 10021503930 | 4   | DOWEL PIN           |  |
| 15   | 9403536201  | 2   | BEARING, BALL       |  |
| 16   | 10024255430 | 1   | GASKET, CRANKCASE   | Also included In GASKET KIT                  |
| 17   | 90016205030 | 4   | BOLT 5X30           |  |
| 18   | 10014212330 | 1   | WOODRUFF KEY        |  |
| 19   | 10157655730 | 1   | COVER, CYLINDER     |  |
| 20   | 15990540930 | 1   | GUARD, TOP          |  |
| 21   | 90016204014 | 2   | BOLT 4X14           |  |
| 22   | 90016205016 | 1   | BOLT 5X16           |  |
| 23   | 88051609220 | 1   | CAP                 |  |
| 24   | 90016205012 | 1   | BOLT 5X12           |  |
| 25   | 88900055730 | 1   | GASKET KIT          |  |



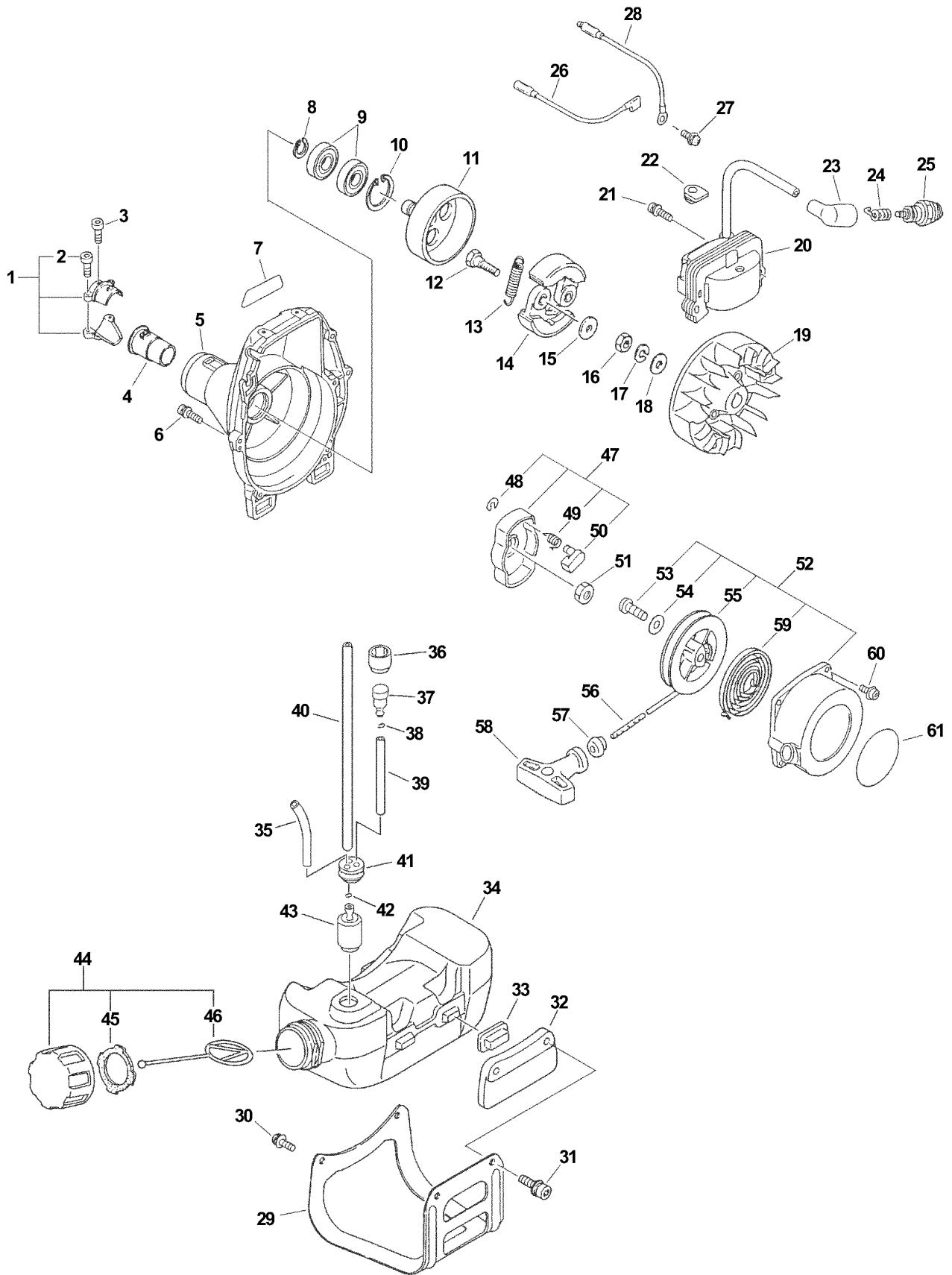


| ITEM | PART NUMBER | QTY | DESCRIPTION            | REMARKS                                   |
|------|-------------|-----|------------------------|---|
| 1    | 61040024532 | 1   | GEAR HOUSING ASY       | INCLUDES ITEMS 2-23                       |
| 2    | 61030040430 | 1   | GEAR SET               |   |
| 3    | 90070100012 | 1   | CIRCLIP 12             |   |
| 4    | 90070200028 | 1   | CIRCLIP 28             |   |
| 5    | 90080706001 | 1   | BEARING, BALL          |   |
| 6    | 90080036001 | 1   | BEARING, BALL          |   |
| 7    | 90030020022 | 1   | SPLIT PIN 2X22         | BULK OPTION: 89850201130 - 10 PER PACKAGE |
| 8    | 90051100010 | 1   | NUT 10 - LEFT HANDED   |   |
| 9    | 61031404131 | 1   | PLATE, ADAPTER - LOWER |   |
| 10   | 61031307130 | 1   | PLATE, ADAPTER - UPPER |   |
| 11   | 61041307130 | 1   | OILSEAL                |   |
| 12   | 61031507130 | 1   | SPACER                 |   |
| 13   | 90070200032 | 1   | CIRCLIP 32             |   |
| 14   | 90081036201 | 1   | BEARING, BALL          |   |
| 15   | 61031041030 | 1   | SHAFT, P.T.O.          |   |
| 16   | 90070600012 | 1   | CIRCLIP 12             |   |
| 17   | 90080036000 | 1   | BEARING, BALL          |   |
| 18   | 61023904130 | 2   | SHIM WASHER            |   |
| 19   | 61041007530 | 1   | HOUSING, GEAR          |   |
| 20   | 90024205010 | 1   | SCREW 5X10             |   |
| 21   | 90010008008 | 1   | BOLT8X8                |   |
| 22   | 90010005040 | 2   | BOLT 5X40              |   |
| 23   | 90060000005 | 2   | WASHER 5               |   |
| 24   | P021001392  | 1   | SHIELD ASY             | INCLUDES ITEMS 25-30                      |
| 25   | C550000031  | 1   | SHIELD, BLADE          |   |
| 26   | 90024205016 | 2   | SCREW 5X16             |   |
| 27   | 69901644330 | 1   | CUTTER                 |   |
| 28   | 90050000005 | 2   | NUT 5                  |   |
| 29   | C552000110  | 1   | BRACKET, SHIELD        |   |
| 30   | 90024205016 | 3   | SCREW 5X16             |   |
| 31   | 69900041930 | 1   | SHIELD ASY             | INCLUDES ITEMS 32-35                      |
| 32   | 90024205010 | 3   | SCREW 5X10             |   |
| 33   | 69901523532 | 1   | BRACKET, SHIELD        |   |
| 34   | 90056250005 | 4   | LOCKNUT                |   |
| 35   | 90022005008 | 2   | SCREW 5X8              |   |
| 36   | 89016841031 | 1   | LABEL, CAUTION         |   |
| 37   | 89011848830 | 1   | LABEL, ECHO            |   |
| 38   | 89561000130 | 1   | L-WRENCH - 4mm         |   |
| 39   | 89751801131 | 1   | LOCKING TOOL           |   |
| 40   | 89511200330 | 1   | SPANNER 8X10           |   |
| 41   | X602000020  | 1   | WRENCH, W/SCREWDRIVER  |   |



SRM001800000

| ITEM | PART NUMBER | QTY | DESCRIPTION                      | REMARKS                          |
|------|-------------|-----|----------------------------------|----------------------------------|
| 1    | 35120107131 | 1   | HANDLE ASY                       | INCLUDES ITEMS 2-7               |
| 2    | 35120507130 | 1   | HANDLE                           |                                  |
| 3    | 90024205035 | 4   | SCREW 5X35                       |                                  |
| 4    | 90024205014 | 2   | SCREW 5X14                       |                                  |
| 5    | 35123207130 | 1   | BRACKET, HANDLE - UPPER          |                                  |
| 6    | 35122506930 | 1   | BRACKET, HANDLE - LOWER          |                                  |
| 7    | 90050000005 | 4   | NUT 5                            |                                  |
| 8    | 89022809560 | 1   | LABEL, CAUTION - SPANISH         |                                  |
| 9    | 89016054130 | 1   | LABEL, CAUTION                   |                                  |
| 9    | 89031749030 | 1   | LABEL, CAUTION                   | CANADA MODELS: 04001001-04999999 |
| 10   | X505001930  | 1   | LABEL, HANDLE LOCATION           |                                  |
| 11   | 30130524330 | 1   | CONNECTOR, HARNESS               |                                  |
| 12   | 69901203330 | 1   | SPACER                           |                                  |
| 13   | 30120707530 | 1   | CLAMP, HARNESS CONNECTOR         |                                  |
| 14   | 90010005018 | 1   | BOLT 5X18                        |                                  |
| 15   | 30120042230 | 1   | CLAMP KIT                        | INCLUDES ITEM 16                 |
| 16   | 90024205014 | 1   | SCREW 5X14                       |                                  |
| 17   | 17800351830 | 1   | THROTTLE BRACKET SET             | INCLUDES ITEMS 18-20             |
| 18   | 90050000005 | 2   | NUT 5                            |                                  |
| 19   | 90024205035 | 1   | SCREW 5X35                       |                                  |
| 20   | 90024205025 | 1   | SCREW 5X25                       |                                  |
| 21   | 16340049330 | 1   | SWITCH,IGNITION                  |                                  |
| 22   | 17801352630 | 1   | SPRING, THROTTLE LOCKOUT CONTROL |                                  |
| 23   | 17809052630 | 1   | LOCKOUT,THROTTLE CONTROL         |                                  |
| 24   | 17801252730 | 1   | LATCH, THROTTLE LOCKOUT CONTROL  |                                  |
| 25   | 17804342230 | 1   | SPRING, THROTTLE RETURN          |                                  |
| 26   | 17801052130 | 1   | TRIGGER,THROTTLE                 |                                  |
| 27   | 17812751030 | 1   | TUBE                             |                                  |
| 28   | 17800156730 | 1   | CABLE, THROTTLE                  |                                  |
| 29   | 90050200006 | 2   | NUT 6                            |                                  |
| 30   | 35121351830 | 1   | GRIP, HANDLE                     |                                  |
| 31   | 61027251830 | 1   | BAND                             |                                  |
| 32   | 90024205028 | 1   | SCREW 5X28                       |                                  |
| 33   | 90050000005 | 1   | NUT 5                            |                                  |
| 34   | 61020655630 | 1   | PIPE, MAIN                       |                                  |
| 35   | 61001106230 | 1   | DRIVESHAFT - SOLID               |                                  |
| 36   | 89015204930 | 1   | LABEL, CAUTION                   |                                  |
| 37   | 30100052131 | 1   | HARNESS, SHOULDER                |                                  |



| ITEM | PART NUMBER | QTY | DESCRIPTION             | REMARKS                          |
|------|-------------|-----|-------------------------|----------------------------------|
| 1    | 61090355630 | 2   | HOLDER KIT              | INCLUDES ITEM 2                  |
| 2    | 90016205025 | 1   | BOLT 5X25               |                                  |
| 3    | 90016205012 | 2   | BOLT 5X12               |                                  |
| 4    | 61091051830 | 1   | CUSHION                 |                                  |
| 5    | 10151155730 | 1   | COVER, FAN              |                                  |
| 6    | 90016205020 | 4   | BOLT 5X20               |                                  |
| 7    | X503003310  | 1   | LABEL, MODEL -- SRM-340 |                                  |
| 8    | 90070100012 | 1   | CIRCLIP 12              |                                  |
| 9    | 90080706001 | 4   | BEARING, BALL 6001      |                                  |
| 10   | 90070200028 |     | CIRCLIP 28              |                                  |
| 11   | 17500549930 | 1   | DRUM, CLUTCH            |                                  |
| 12   | 17504646430 | 2   | SHAFT, CLUTCH           |                                  |
| 13   | 17501849932 | 1   | SPRING, CLUTCH          |                                  |
| 14   | A553000000  | 2   | SHOE, CLUTCH            |                                  |
| 15   | 17504805530 | 2   | WASHER 6                |                                  |
| 16   | 90050200008 | 1   | NUT 8                   |                                  |
| 17   | 90060500008 | 1   | SPRING WASHER 8         |                                  |
| 18   | 90060000008 | 1   | WASHER 8                |                                  |
| 19   | 15280155430 | 1   | FLYWHEEL                |                                  |
| 20   | 15262655730 | 1   | COIL, IGNITION          |                                  |
| 21   | 90016205020 | 2   | BOLT 5X20               |                                  |
| 22   | 15611240630 | 1   | GROMMET                 |                                  |
| 23   | 15901201620 | 1   | CAP, SPARK PLUG         |                                  |
| 24   | 15901103432 | 1   | COIL, SPARK PLUG CAP    |                                  |
| 25   | 15901010630 | 1   | SPARK PLUG --BPM-7A     |                                  |
| 25   | 15901010230 | 1   | SPARK PLUG --BPMR-7A    | CANADA MODELS: 04001001-04999999 |
| 26   | 16201055630 | 1   | LEAD, GROUND            |                                  |
| 27   | 90023805010 | 1   | SCREW 5X10              |                                  |
| 28   | 16201452930 | 1   | LEAD, GROUND            |                                  |
| 29   | 30511055830 | 1   | STAND                   |                                  |
| 30   | 90016205012 | 2   | BOLT 5X12               |                                  |
| 31   | 90016205020 | 2   | BOLT 5X20               |                                  |
| 32   | 13191055430 | 1   | BRACKET, FUEL TANK      |                                  |
| 33   | 13192055430 | 4   | CUSHION                 |                                  |
| 34   | 13101055431 | 1   | TANK, FUEL              |                                  |
| 35   | 13201056330 | 1   | PIPE, RETURN - 3X6X90mm | BULK OPTION: 90017               |
| 36   | 13132840630 | 1   | COVER, VENT             |                                  |
| 37   | A356000030  | 1   | VENT ASY                |                                  |
| 38   | 13011100530 | 1   | CLIP                    |                                  |
| 39   | V471001220  | 1   | PIPE, VENT - 3X5X50mm   | BULK OPTION: 90014               |
| 40   | V471001190  | 1   | PIPE, FUEL - 3X5X180mm  | BULK OPTION: 90014               |
| 41   | V137000030  | 1   | GROMMET, FUEL           |                                  |
| 42   | 13201309820 | 1   | CLIP                    |                                  |
| 43   | 13120507320 | 1   | FILTER, FUEL            |                                  |
| 44   | 13100455530 | 1   | FUEL TANK CAP ASY       | INCLUDES ITEM 45-46              |
| 45   | 13101655830 | 1   | GASKET, FUEL CAP        |                                  |
| 46   | 13105156030 | 1   | CONNECTOR, FUEL CAP     |                                  |
| 47   | A051000160  | 1   | STARTER PAWL ASY        | INCLUDES ITEMS 48-50             |
| 48   | 90070000004 | 1   | E-RING 4                |                                  |
| 49   | 17723440630 | 1   | SPRING, RETURN          |                                  |
| 50   | 17721840630 | 1   | PAWL, STARTER           |                                  |
| 51   | 90050200008 | 1   | NUT 8                   |                                  |
| 52   | 17720055630 | 1   | STARTER ASY             | INCLUDES ITEMS 53-59             |
| 53   | 17723640630 | 1   | SCREW                   |                                  |
| 54   | 17721441030 | 1   | WASHER                  |                                  |
| 55   | 17721543130 | 1   | DRUM, STARTER           |                                  |

**SRM-340 TRIMMER/ BRUSHCUTTER****Ignition, Starter, Clutch, Fuel System**

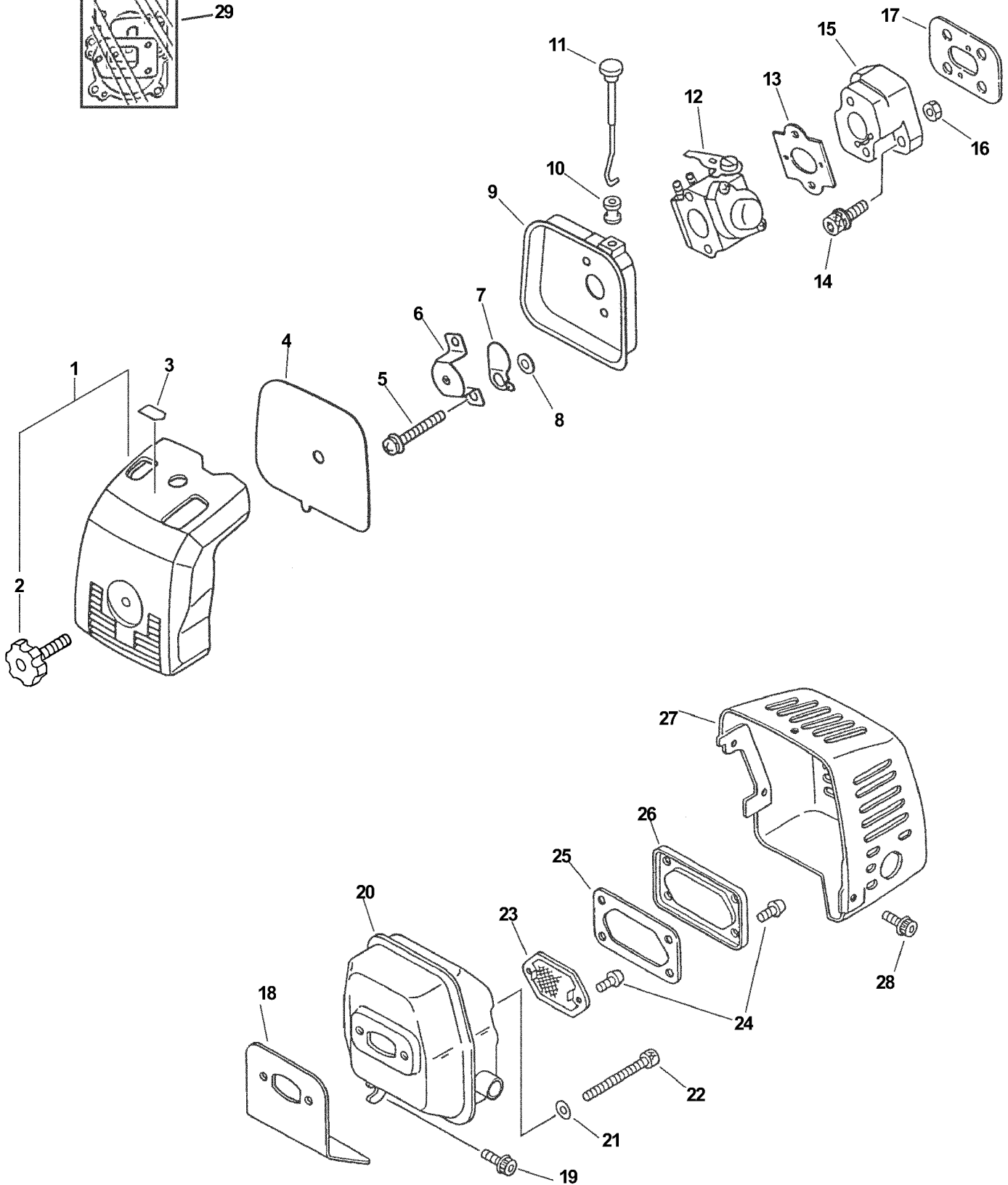
| <u>ITEM</u> | <u>PART NUMBER</u> | <u>QTY</u> | <u>DESCRIPTION</u>      | <u>REMARKS</u>           |
|-------------|--------------------|------------|-------------------------|--------------------------|
| 56          | 17722601110        | 1          | ROPE, STARTER - 4X950mm | BULK OPTION: 99944450000 |
| 57          | 17722742030        | 1          | GUIDE, ROPE             |                          |
| 58          | 17722811120        | 1          | GRIP, STARTER           |                          |
| 59          | 17722040630        | 1          | SPRING, REWIND          |                          |
| 60          | 90016204014        | 4          | BOLT 4X14               |                          |
| 61          | 89011849330        | 1          | LABEL, ECHO             |                          |

***This Page Intentionally Left Blank***



**GASKET KIT**

29





| ITEM | PART NUMBER | QTY | DESCRIPTION           | REMARKS                     |
|------|-------------|-----|-----------------------|-----------------------------|
| 1    | 13030252130 | 1   | AIR CLEANER COVER ASY | INCLUDES ITEM 2             |
| 2    | 13040652131 | 1   | THUMB SCREW           |                             |
| 3    | 89012152130 | 1   | LABEL, CHOKE          |                             |
| 4    | 13031051830 | 1   | FILTER, AIR           |                             |
| 5    | 90016205057 | 2   | BOLT 5X57             |                             |
| 6    | 12901152131 | 1   | PLATE, PREVENT        |                             |
| 7    | 17851505060 | 1   | SHUTTER, CHOKE        |                             |
| 8    | 17851600830 | 1   | WASHER 5              |                             |
| 9    | 13031451730 | 1   | CASE, CLEANER         |                             |
| 10   | 17881005230 | 1   | GROMMET, CHOKE        |                             |
| 11   | 17851051730 | 1   | ROD, CHOKE            |                             |
| 12   | 12300055832 | 1   | CARBURETOR -- WT-418B |                             |
| 13   | 13001005960 | 1   | GASKET, INTAKE        | Also included In GASKET KIT |
| 14   | 90016205025 | 2   | BOLT 5X25             |                             |
| 15   | 13001755630 | 1   | INSULATOR             |                             |
| 16   | 90050000005 | 2   | NUT 5                 |                             |
| 17   | 13001055730 | 1   | GASKET, INTAKE        | Also included In GASKET KIT |
| 18   | 14551055730 | 1   | SHIELD, CYLINDER      | Also included In GASKET KIT |
| 19   | 90016205012 | 1   | BOLT 5X12             |                             |
| 20   | 14580655730 | 1   | MUFFLER               |                             |
| 21   | 90060000005 | 2   | WASHER 5              |                             |
| 22   | 90010505060 | 2   | BOLT 5X60             |                             |
| 23   | 14590555730 | 1   | SCREEN                |                             |
| 24   | 90024204010 | 6   | SCREW 4X10            |                             |
| 25   | 14586655730 | 1   | GASKET, MUFFLER LID   | Also included In GASKET KIT |
| 26   | 14586155730 | 1   | LID, MUFFLER          |                             |
| 27   | 14562155730 | 1   | COVER, MUFFLER        |                             |
| 28   | 90016205014 | 3   | BOLT 5X14             |                             |
| 29   | 88900055730 | 1   | GASKET KIT            |                             |



# Part Number Index

The Part Number Index is a numeric index of all part numbers included in this manual. The index shows what page(s) the part is used on.

| Part Number | Page       | Part Number | Page           | Part Number | Page           |
|-------------|------------|-------------|----------------|-------------|----------------|
| .....       | 5          | 17504646430 | .....13        | 90016205025 | .....13, 17    |
| 10001142230 | .....7     | 17504805530 | .....13        | 90016205030 | .....7         |
| 10001216131 | .....7     | 17720055630 | .....13        | 90016205057 | .....17        |
| 10001327430 | .....7     | 17721441030 | .....13        | 90022005008 | .....9         |
| 10001453630 | .....7     | 17721543130 | .....13        | 90023805010 | .....13        |
| 10001503931 | .....7     | 17721840630 | .....13        | 90024204010 | .....17        |
| 10010055430 | .....7     | 17722040630 | .....14        | 90024205010 | .....9         |
| 10014212330 | .....7     | 17722601110 | .....14        | 90024205014 | .....11        |
| 10020455430 | .....7     | 17722742030 | .....14        | 90024205016 | .....9         |
| 10021305530 | .....7     | 17722811120 | .....14        | 90024205025 | .....11        |
| 10021503930 | .....7     | 17723440630 | .....13        | 90024205028 | .....11        |
| 10024255430 | .....7     | 17723640630 | .....13        | 90024205035 | .....11        |
| 10101055430 | .....7     | 17800156730 | .....11        | 90030020022 | .....9         |
| 10151155730 | .....13    | 17800351830 | .....11        | 90050000005 | .....9, 11, 17 |
| 10157655730 | .....7     | 17801052130 | .....11        | 90050200006 | .....11        |
| 12300055832 | .....5, 17 | 17801252730 | .....11        | 90050200008 | .....13        |
| 12310055730 | .....5     | 17801352630 | .....11        | 90051100010 | .....9         |
| 12310155730 | .....5     | 17804342230 | .....11        | 90056250005 | .....9         |
| 12311043130 | .....5     | 17809052630 | .....11        | 90060000005 | .....9, 17     |
| 12311352130 | .....5     | 17812751030 | .....11        | 90060000008 | .....13        |
| 12311403930 | .....5     | 17851051730 | .....17        | 90060500008 | .....13        |
| 12311623230 | .....5     | 17851505060 | .....17        | 90070000004 | .....13        |
| 12311755830 | .....5     | 17851600830 | .....17        | 90070100012 | .....9, 13     |
| 12312003661 | .....5     | 17881005230 | .....17        | 90070200028 | .....9, 13     |
| 12312443230 | .....5     | 30100052131 | .....11        | 90070200032 | .....9         |
| 12312715030 | .....5     | 30120042230 | .....11        | 90070600012 | .....9         |
| 12313002960 | .....5     | 30120707530 | .....11        | 90080036000 | .....9         |
| 12313304260 | .....5     | 30130524330 | .....11        | 90080036001 | .....9         |
| 12313404260 | .....5     | 30511055830 | .....13        | 90080706001 | .....9, 13     |
| 12314203930 | .....5     | 35120107131 | .....11        | 90081036201 | .....9         |
| 12314209560 | .....5     | 35120507130 | .....11        | 9403536201  | .....7         |
| 12314926030 | .....5     | 35121351830 | .....11        | A051000160  | .....13        |
| 12315139530 | .....5     | 35122506930 | .....11        | A130000600  | .....7         |
| 12317226030 | .....5     | 35123207130 | .....11        | A356000030  | .....13        |
| 12317307930 | .....5     | 61001106230 | .....11        | A553000000  | .....13        |
| 12318109560 | .....5     | 61020655630 | .....11        | C550000031  | .....9         |
| 12901152131 | .....17    | 61023904130 | .....9         | C552000110  | .....9         |
| 13001005960 | .....17    | 61027251830 | .....11        | P021001392  | .....9         |
| 13001055730 | .....17    | 61030040430 | .....9         | P021007410  | .....7         |
| 13001755630 | .....17    | 61031041030 | .....9         | SB1029      | .....7         |
| 13011100530 | .....13    | 61031307130 | .....9         | V137000030  | .....13        |
| 13030252130 | .....17    | 61031404131 | .....9         | V471001190  | .....13        |
| 13031051830 | .....17    | 61031507130 | .....9         | V471001220  | .....13        |
| 13031451730 | .....17    | 61040024532 | .....9         | X503003310  | .....13        |
| 13040652131 | .....17    | 61041007530 | .....9         | X505001930  | .....11        |
| 13100455530 | .....13    | 61041307130 | .....9         | X602000020  | .....9         |
| 13101055431 | .....13    | 61090355630 | .....13        |             |                |
| 13101655830 | .....13    | 61091051830 | .....13        |             |                |
| 13105156030 | .....13    | 69900041930 | .....9         |             |                |
| 13120507320 | .....13    | 69901203330 | .....11        |             |                |
| 13132840630 | .....13    | 69901523532 | .....9         |             |                |
| 13191055430 | .....13    | 69901644330 | .....9         |             |                |
| 13192055430 | .....13    | 88051609220 | .....7         |             |                |
| 13201056330 | .....13    | 88900055730 | .....7, 17     |             |                |
| 13201309820 | .....13    | 89011848830 | .....9         |             |                |
| 14551055730 | .....17    | 89011849330 | .....14        |             |                |
| 14562155730 | .....17    | 89012152130 | .....17        |             |                |
| 14580655730 | .....17    | 89015204930 | .....11        |             |                |
| 14586155730 | .....17    | 89016054130 | .....11        |             |                |
| 14586655730 | .....17    | 89016841031 | .....9         |             |                |
| 14590555730 | .....17    | 89022809560 | .....11        |             |                |
| 15262655730 | .....13    | 89031749030 | .....11        |             |                |
| 15280155430 | .....13    | 89511200330 | .....9         |             |                |
| 15611240630 | .....13    | 89561000130 | .....9         |             |                |
| 15901010230 | .....13    | 89751801131 | .....9         |             |                |
| 15901010630 | .....13    | 90010005018 | .....11        |             |                |
| 15901103432 | .....13    | 90010005040 | .....9         |             |                |
| 15901201620 | .....13    | 90010008008 | .....9         |             |                |
| 15990540930 | .....7     | 90010505060 | .....17        |             |                |
| 16201055630 | .....13    | 90016204014 | .....7, 14     |             |                |
| 16201452930 | .....13    | 90016205012 | .....7, 13, 17 |             |                |
| 16340049330 | .....11    | 90016205014 | .....17        |             |                |
| 17500549930 | .....13    | 90016205016 | .....7         |             |                |
| 17501849932 | .....13    | 90016205020 | .....7, 13     |             |                |



# Part Description Index

The Part Description Index is an alphabetical index of all part descriptions included in this manual. The index shows what page(s) the part is used on.

|                                 |  |                                       |
|---------------------------------|--|---------------------------------------|
| <b>A</b>                        | DRUM, CLUTCH.....13                    | NUT 10 - LEFT HANDED.....9            |
| AIR CLEANER COVER ASY.....17    | DRUM, STARTER.....13                   | NUT 5.....9, 11, 17                   |
|                                 |  | NUT 6.....11                          |
|                                 |  | NUT 8.....13                          |
| <b>B</b>                        | <b>E</b>                               | <b>O</b>                              |
| BAND.....11                     | E-RING 4.....13                        | OIL SEAL.....7                        |
| BEARING, BALL.....7, 9          |  | OILSEAL.....9                         |
| BEARING, BALL 6001.....13       |  |                                       |
| BEARING, NEEDLE.....7           | <b>F</b>                               | <b>P</b>                              |
| BODY, CARBURETOR.....5          | FILTER, AIR.....17                     | PAWL, STARTER.....13                  |
| BOLT 4X14.....7, 14             | FILTER, FUEL.....13                    | PIN, METERING LEVER.....5             |
| BOLT 5X12.....7, 13, 17         | FLYWHEEL.....13                        | PIN, PISTON.....7                     |
| BOLT 5X14.....17                | FUEL TANK CAP ASY.....13               | PIPE, FUEL - 3X5X180mm.....13         |
| BOLT 5X16.....7                 |  | PIPE, MAIN.....11                     |
| BOLT 5X18.....11                | <b>G</b>                               | PIPE, RETURN - 3X6X90mm.....13        |
| BOLT 5X20.....7, 13             | GASKET KIT.....7, 17                   | PIPE, VENT - 3X5X50mm.....13          |
| BOLT 5X25.....13, 17            | GASKET, CRANKCASE.....7                | PISTON KIT.....7                      |
| BOLT 5X30.....7                 | GASKET, CYLINDER.....7                 | PLATE, ADAPTER - LOWER.....9          |
| BOLT 5X40.....9                 | GASKET, FUEL CAP.....13                | PLATE, ADAPTER - UPPER.....9          |
| BOLT 5X57.....17                | GASKET, FUEL PUMP.....5                | PLATE, PREVENT.....17                 |
| BOLT 5X60.....17                | GASKET, INTAKE.....17                  | PLUG, WELCH.....5                     |
| BOLT8X8.....9                   | GASKET, METERING DIAPHRAGM.....5       | PUMP, PURGE.....5                     |
| BRACKET, FUEL TANK.....13       | GASKET, MUFFLER LID.....17             | PURGE BASE ASY.....5                  |
| BRACKET, HANDLE - LOWER.....11  | GEAR HOUSING ASY.....9                 |                                       |
| BRACKET, HANDLE - UPPER.....11  | GEAR SET.....9                         | <b>R</b>                              |
| BRACKET, SHIELD.....9           | GRIP, HANDLE.....11                    | REPAIR KIT.....5                      |
|                                 | GRIP, STARTER.....14                   | RING, PISTON.....7                    |
| <b>C</b>                        | GROMMET.....13                         | ROD, CHOKE.....17                     |
| CABLE, THROTTLE.....11          | GROMMET, CHOKE.....17                  | ROPE, STARTER - 4X950mm.....14        |
| CAP.....7                       | GROMMET, FUEL.....13                   |                                       |
| CAP, MIXTURE LIMITER.....5      | GUARD, TOP.....7                       | <b>S</b>                              |
| CAP, SPARK PLUG.....13          | GUIDE, ROPE.....14                     | SCREEN.....17                         |
| CARBURETOR -- WT-418B.....5, 17 |  | SCREEN, INLET.....5                   |
| CASE, CLEANER.....17            | <b>H</b>                               | SCREW.....13                          |
| CIRCLIP 12.....9, 13            | HANDLE.....11                          | SCREW 4X10.....17                     |
| CIRCLIP 28.....9, 13            | HANDLE ASY.....11                      | SCREW 5X10.....9, 13                  |
| CIRCLIP 32.....9                | HARNESS, SHOULDER.....11               | SCREW 5X14.....11                     |
| CIRCLIP, PISTON PIN.....7       | HOLDER KIT.....13                      | SCREW 5X16.....9                      |
| CLAMP KIT.....11                | HOUSING, GEAR.....9                    | SCREW 5X25.....11                     |
| CLAMP, HARNESS CONNECTOR.....11 |  | SCREW 5X28.....11                     |
| CLIP.....13                     | <b>I</b>                               | SCREW 5X35.....11                     |
| CLIP, SWIVEL.....5              | INSULATOR.....17                       | SCREW 5X8.....9                       |
| CLIP, THROTTLE SHAFT.....5      |  | SCREW, IDLE ADJUST.....5              |
| COIL, IGNITION.....13           | <b>L</b>                               | SCREW, METERING DIAPHRAGM COVER.....5 |
| COIL, SPARK PLUG CAP.....13     | LABEL, CAUTION.....9, 11               | SCREW, METERING LEVER PIN.....5       |
| CONNECTOR, FUEL CAP.....13      | LABEL, CAUTION - SPANISH.....11        | SCREW, PURGE PUMP COVER.....5         |
| CONNECTOR, HARNESS.....11       | LABEL, CHOKE.....17                    | SCREW, THROTTLE VALVE.....5           |
| COVER, CYLINDER.....7           | LABEL, ECHO.....9, 14                  | SHAFT, CLUTCH.....13                  |
| COVER, FAN.....13               | LABEL, HANDLE LOCATION.....11          | SHAFT, P.T.O.....9                    |
| COVER, METERING DIAPHRAGM.....5 | LABEL, MODEL -- SRM-340.....13         | SHAFT, THROTTLE.....5                 |
| COVER, MUFFLER.....17           | LATCH, THROTTLE LOCKOUT CONTROL.....11 | SHIELD ASY.....9                      |
| COVER, PURGE PUMP.....5         | LEAD, GROUND.....13                    | SHIELD, BLADE.....9                   |
| COVER, VENT.....13              | LEVER, METERING.....5                  | SHIELD, CYLINDER.....17               |
| CRANKCASE KIT.....7             | LID, MUFFLER.....17                    | SHIM WASHER.....9                     |
| CRANKSHAFT.....7                | LOCKING TOOL.....9                     | SHOE, CLUTCH.....13                   |
| CUSHION.....13                  | LOCKNUT.....9                          | SHORT BLOCK.....7                     |
| CUTTER.....9                    | LOCKOUT, THROTTLE CONTROL.....11       | SHUTTER, CHOKE.....17                 |
| CYLINDER.....7                  | L-WRENCH - 4mm.....9                   | SPACER.....9, 11                      |
|                                 |  | SPACER, PISTON PIN.....7              |
| <b>D</b>                        | <b>M</b>                               | SPANNER 8X10.....9                    |
| DIAPHRAGM, FUEL PUMP.....5      | MUFFLER.....17                         | SPARK PLUG --BPM-7A.....13            |
| DIAPHRAGM, METERING.....5       |  | SPARK PLUG --BPMR-7A.....13           |
| DIAPHRAGM/GASKET KIT.....5      | <b>N</b>                               | SPLIT PIN 2X22.....9                  |
| DOWEL PIN.....7                 | NEEDLE, MIXTURE.....5                  | SPRING WASHER 8.....13                |
| DRIVESHAFT - SOLID.....11       |  |                                       |



## Part Description Index (continued)

---

SPRING, CLUTCH.....13  
SPRING, IDLE ADJUST.....5  
SPRING, METERING LEVER.....5  
SPRING, RETURN.....13  
SPRING, REWIND.....14  
SPRING, THROTTLE LOCKOUT CONTROL.....  
11  
SPRING, THROTTLE RETURN.....5, 11  
STAND.....13  
STARTER ASY.....13  
STARTER PAWL ASY.....13  
SWITCH,IGNITION.....11  
SWIVEL.....5

### T

TANK, FUEL.....13  
THROTTLE BRACKET SET.....11  
THUMB SCREW.....17  
TRIGGER,THROTTLE.....11  
TUBE.....11

### V

VALVE, INLET NEEDLE.....5  
VALVE, THROTTLE.....5  
VENT ASY.....13

### W

WASHER.....5, 13  
WASHER 5.....9, 17  
WASHER 6.....13  
WASHER 8.....13  
WOODRUFF KEY.....7  
WRENCH, W/SCREWDRIVER.....9

## ***NOTES***



**ECHO, INCORPORATED**

400 Oakwood Road  
Lake Zurich, IL 60047 USA

[WWW.ECHO-USA.COM](http://WWW.ECHO-USA.COM)

---