



AVAILABLE ATTACHMENTS & ACCESSORIES

TRIMMER HEADS

- 215511 PRO MAXI-CUT WEED CUTTER
- 21560030 ECHOMATIC PRO HEAD
- 21560050 SRM ECHOMATIC HEAD
- 21560055 UNIVERSAL TRIMMER HEAD
- 21560056 RAPID LOADER 2 LINE HEAD
- 21560060 SRM MANUAL DUAL LINE HEAD
- 99944200220 HEAVY DUTY FIXED LINE HEAD
- 99944200220 HEAVY DUTY 4 LINE FIXED HEAD
- 99944200230 SEMI-AUTO DUAL LINE HEAD

REQUIRES BLADE CONVERSION KIT

- 69500120331 8" 80 TOOTH BRUSH BLADE
- 69600120331 8" 8 TOOTH BLADE
- 89850308030 8" BLADE PROTECTOR
- 99944200030 TRI-CUT PLASTIC BLADE
- 99944200035 TRI-CUT PLASTIC BLADE W/GLIDE CUP
- 99944200047 3 CUTTER METAL BLADE
- 99944200130 22 TOOTH CLEARING SAW BLADE

OTHER

- 35130454230 OFFSET U-HANDLE KIT
- 99944200002 iSTART ACCESSORY KIT
- 99944200200 SHOULDER STRAP KIT
- 99944200415 UNIVERSAL BLADE CONVERSION KIT
- 99944200455 BARRIER BAR
- 99944200521 OFFSET U-HANDLE/
BLADE CONVERSION COMBO KIT
- 99944200411 20mm BLADE CONVERSION KIT

**SRAC-200 TILLER/CULTIVATOR ATTACHMENT
(EXCLUDES "S" MODELS)**

PARTS CATALOG
**TRIMMER/
BRUSH CUTTER**

22.8cc

MODEL: SERIAL NUMBERS

SRM-230: 05001001-05999999
06001001-06999999
07001001-07999999

SRM-230S: 05001001-05999999
06001001-06999999
07001001-07999999

SRM-230U: 05001001-05999999
06001001-06999999
07001001-07999999

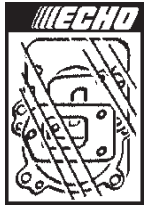
SRM-231: 02001001-02999999
06001001-06999999

SRM-231S: 06001001-06999999

SRM-231U: 02001001-02999999
06001001-06999999

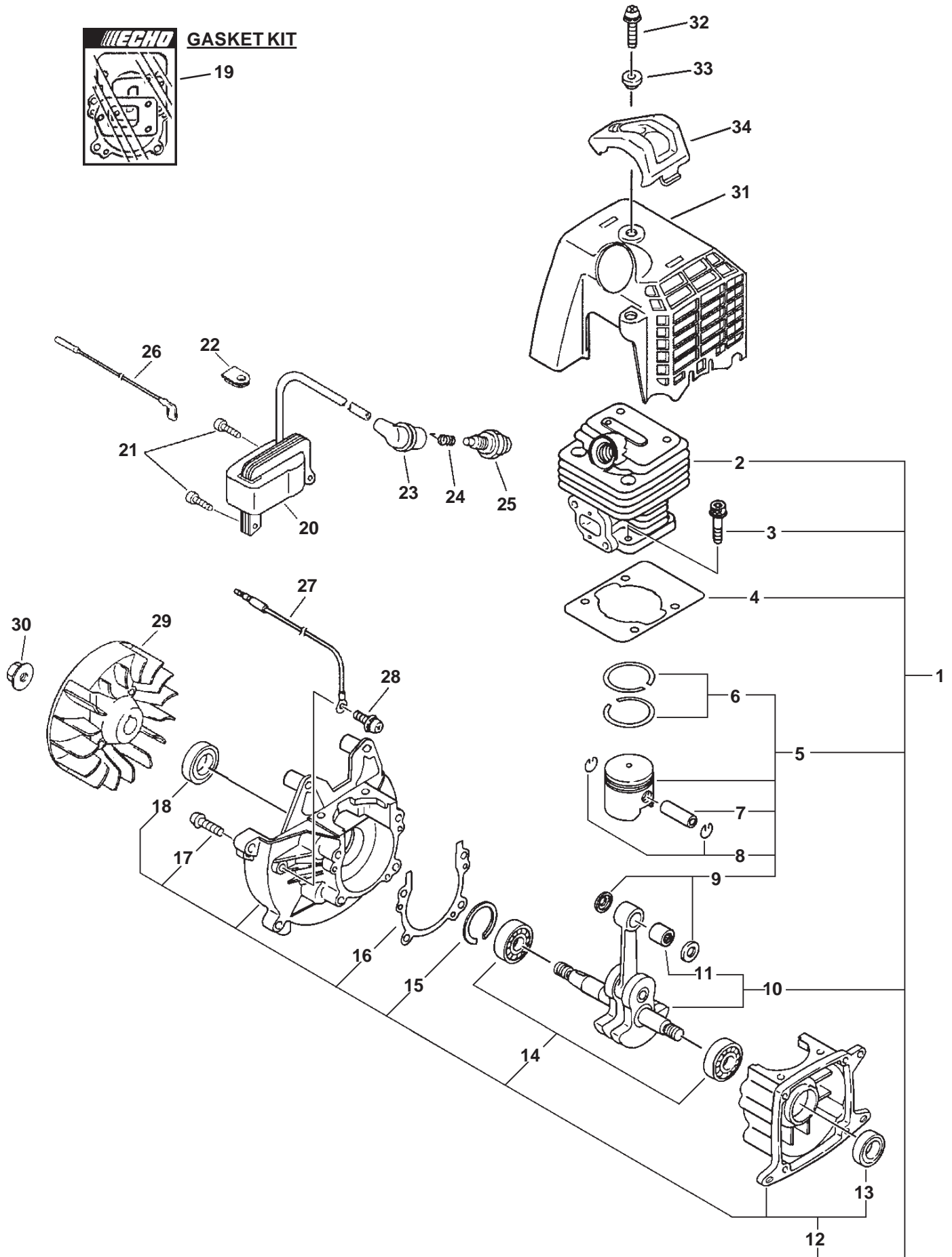
ECHO, INCORPORATED
400 Oakwood Road Lake Zurich, Illinois 60047
WWW.ECHO-USA.COM

SERIAL NUMBERS: 02001001-02999999



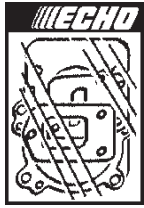
GASKET KIT

19



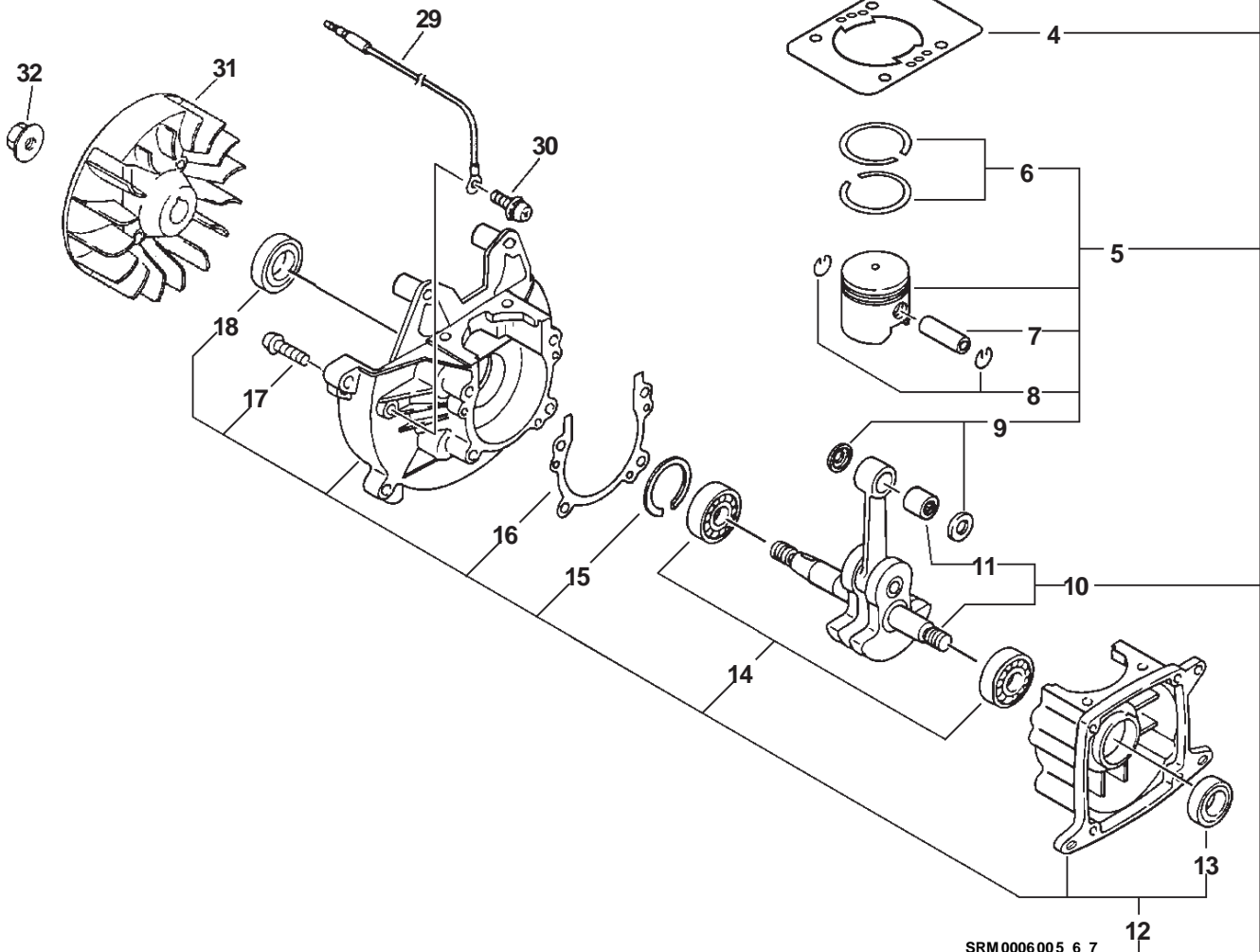
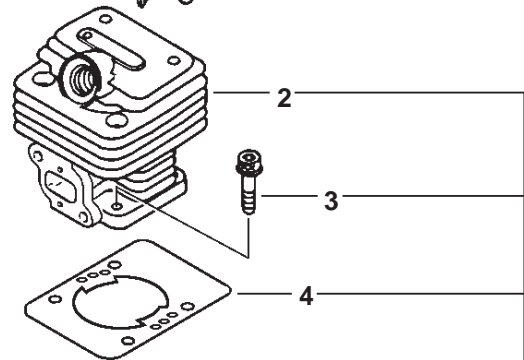
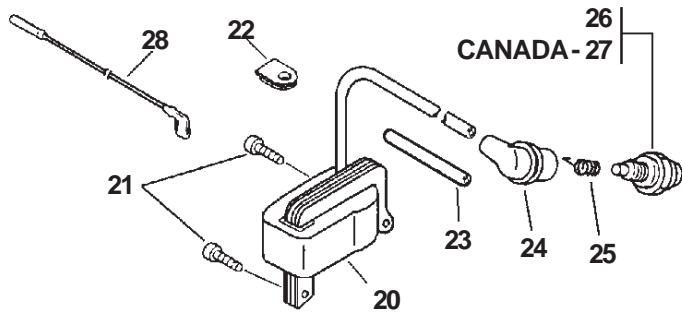
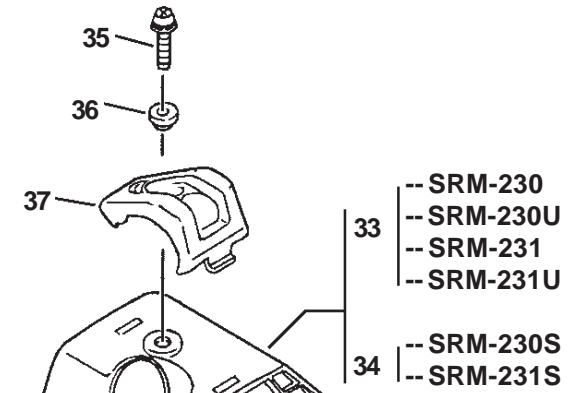
SERIAL NUMBERS: 02001001-02999999

| ITEM | PART NUMBER | QTY | DESCRIPTION | REMARKS |
|--------------------------------|-------------|-----|--------------------------|----------------------|
| <u>OPTIONAL ENGINE REPOWER</u> | | | | |
| 1 | SB1045 | 1 | SHORT BLOCK | INCLUDES ITEMS 2-18 |
| 2 | A130000074 | 1 | CYLINDER | |
| 3 | 90016205022 | 4 | BOLT 5X22 | |
| ★ 4 | V100000010 | 1 | GASKET, CYLINDER | |
| 5 | P021000930 | 1 | PISTON KIT | INCLUDES ITEMS 6-9 |
| 6 | A101000000 | 2 | RING, PISTON | |
| 7 | 10001311520 | 1 | PIN, PISTON | |
| 8 | 10001504630 | 2 | CIRCLIP, PISTON PIN | |
| 9 | 10001411520 | 2 | SPACER, PISTON PIN | |
| 10 | A011000042 | 1 | CRANKSHAFT ASY | INCLUDES ITEM 11 |
| 11 | 10001251230 | 1 | BEARING, NEEDLE | |
| 12 | P021000940 | 1 | CRANKCASE KIT | INCLUDES ITEMS 13-18 |
| 13 | 10021305530 | 1 | OIL SEAL | |
| 14 | 90080036001 | 2 | BEARING, BALL | |
| 15 | 90070200028 | 1 | CIRCLIP 28 | |
| ★ 16 | 10024255930 | 1 | GASKET, CRANKCASE | |
| 17 | 90016205025 | 4 | BOLT 5X25 | |
| 18 | 10021228230 | 1 | OIL SEAL | |
| ★ Also Included In GASKET KIT | | | | |
| 19 | P021002600 | 1 | GASKET KIT | |
| 20 | A411000010 | 1 | COIL, IGNITION | |
| 21 | 90016205016 | 2 | BOLT 5X16 | |
| 22 | 15611240630 | 1 | GROMMET | |
| 23 | 15901203433 | 1 | CAP, SPARK PLUG | |
| 24 | 15901103432 | 1 | TERMINAL, SPARK PLUG CAP | |
| 25 | 99944500071 | 1 | SPARK PLUG -- BPM-7Y | |
| 26 | 16201056430 | 1 | LEAD, IGNITION | |
| 27 | 16201452930 | 1 | LEAD, GROUND | |
| 28 | 90024205010 | 1 | SCREW 5X10 | |
| 29 | A409000020 | 1 | FLYWHEEL | |
| 30 | 90051500008 | 1 | FLANGE NUT 8 | |
| 31 | A160000040 | 1 | COVER, CYLINDER | |
| 32 | 90010605016 | 1 | BOLT 5X16 | |
| 33 | V353000020 | 1 | COLLAR 5 | |
| 34 | A162000000 | 1 | GUARD, TOP | |



GASKET KIT

19



SRM0006005_6.7

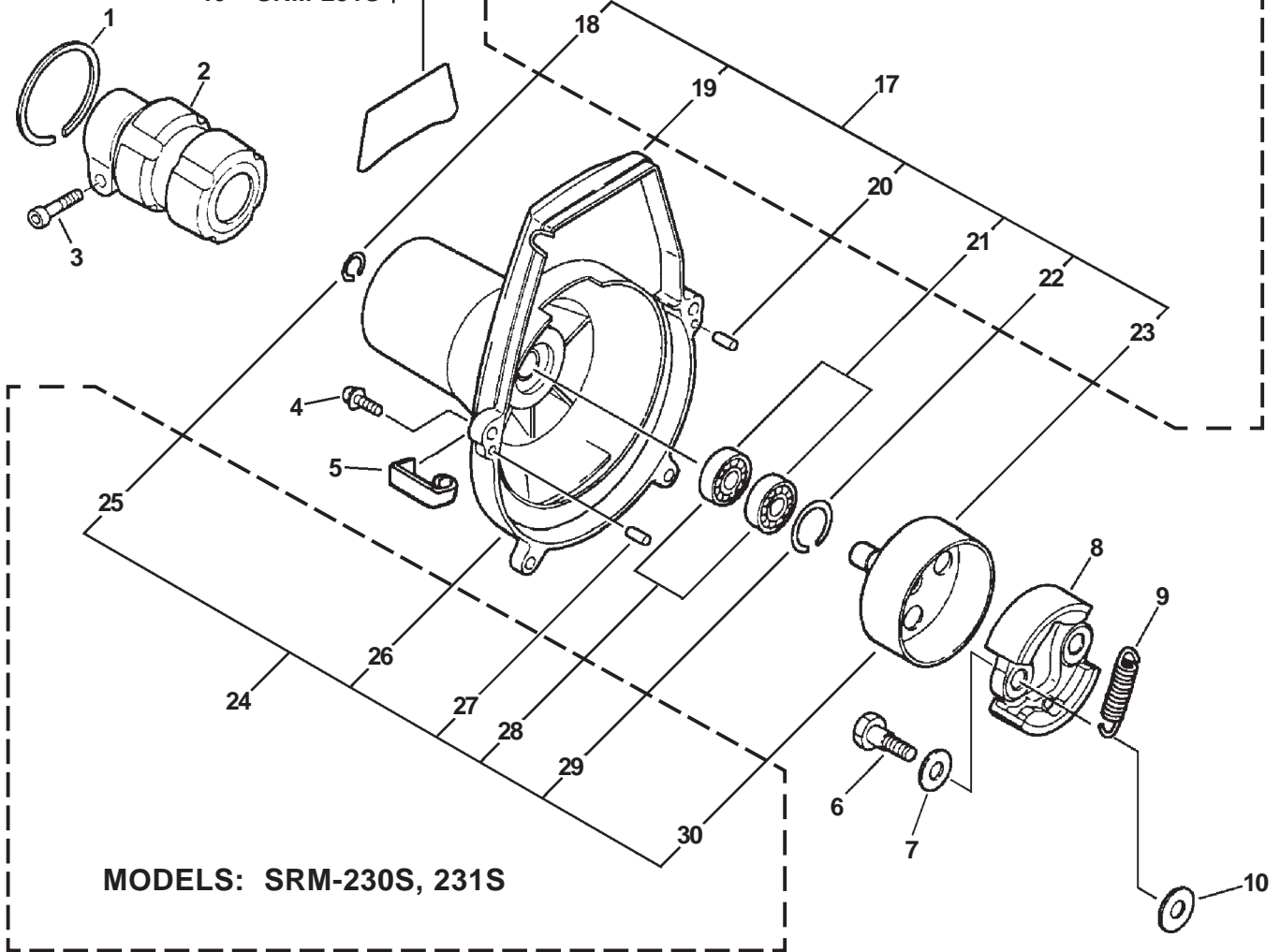
SERIAL NUMBERS: 05001001-07999999

| ITEM | PART NUMBER | QTY | DESCRIPTION | REMARKS |
|--------------------------------|-------------|-----|--------------------------|----------------------------------|
| <u>OPTIONAL ENGINE REPOWER</u> | | | | |
| 1 | SB1061 | 1 | SHORT BLOCK | INCLUDES ITEMS 2-18 |
| 2 | A130000341 | 1 | CYLINDER | |
| 3 | 90016205022 | 4 | BOLT 5X22 | |
| ★ 4 | V100000060 | 1 | GASKET, CYLINDER | |
| 5 | P021001101 | 1 | PISTON KIT | INCLUDES ITEMS 6-9 |
| 6 | A101000000 | 2 | RING, PISTON | |
| 7 | 10001311520 | 1 | PIN, PISTON | |
| 8 | 10001504630 | 2 | CIRCLIP, PISTON PIN | |
| 9 | 10001411520 | 2 | SPACER, PISTON PIN | |
| 10 | A011000042 | 1 | CRANKSHAFT ASY | INCLUDES ITEM 11 |
| 11 | V553000010 | 1 | BEARING, NEEDLE | |
| 12 | P021000940 | 1 | CRANKCASE KIT | INCLUDES ITEMS 13-18 |
| 13 | 10021305530 | 1 | OIL SEAL | |
| 14 | 90080036001 | 2 | BEARING, BALL | |
| 15 | 90070200028 | 1 | CIRCLIP 28 | |
| ★ 16 | 10024255930 | 1 | GASKET, CRANKCASE | |
| 17 | 90016205025 | 4 | BOLT 5X25 | |
| 18 | 10021228230 | 1 | OIL SEAL | |
| ★ Also Included In GASKET KIT | | | | |
| 19 | P021003900 | 1 | GASKET KIT | |
| 20 | A411000110 | 1 | COIL, IGNITION | |
| 21 | 90016205016 | 2 | BOLT 5X16 | |
| 22 | 15611240630 | 1 | GROMMET | |
| 23 | V475002200 | 1 | TUBE, PROTECTIVE | |
| 24 | 15901203433 | 1 | CAP, SPARK PLUG | |
| 25 | 15901103432 | 1 | TERMINAL, SPARK PLUG CAP | |
| 26 | 15901019830 | 1 | SPARK PLUG -- BPM-8Y | |
| 27 | A425000000 | 1 | SPARK PLUG -- BPMR-8Y | CANADA MODELS: 07001001-07999999 |
| 28 | 16201056430 | 1 | LEAD, IGNITION | |
| 29 | 16201452930 | 1 | LEAD, GROUND | |
| 30 | 90024205010 | 1 | SCREW 5X10 | |
| 31 | A409000130 | 1 | FLYWHEEL | |
| 32 | 90051500008 | 1 | FLANGE NUT 8 | |
| 33 | A160000040 | 1 | COVER, CYLINDER | MODELS: SRM-230, 230U, 231, 231U |
| 34 | A160000050 | 1 | COVER, CYLINDER | MODELS: SRM-230S, 231S |
| 35 | 90010605016 | 1 | BOLT 5X16 | |
| 36 | V353000020 | 1 | COLLAR 5 | |
| 37 | A162000000 | 1 | GUARD, TOP | |

SERIAL NUMBERS: ALL

- 11 -- SRM-230
- 12 -- SRM-230U
- 13 -- SRM-231
- 14 -- SRM-231U
- 15 -- SRM-230S
- 16 -- SRM-231S

MODELS:
SRM-230, 230U, 231, 231U



SERIAL NUMBERS: ALL

| ITEM | PART NUMBER | QTY | DESCRIPTION | REMARKS |
|------|-------------|-----|--------------------------|---------|
| 1 | 90070200042 | 1 | CIRCLIP 42 | |
| 2 | 61092255931 | 1 | FIXTURE, MAIN PIPE | |
| 3 | 90016205028 | 1 | BOLT 5X28 | |
| 4 | 90016205018 | 2 | BOLT 5X18 | |
| 5 | 17811106230 | 1 | CLIP | |
| 6 | 17504656030 | 2 | SHAFT, CLUTCH | |
| 7 | 17504956030 | 2 | WASHER | |
| 8 | A553000010 | 2 | SHOE, CLUTCH | |
| 9 | V451000090 | 1 | SPRING, CLUTCH | |
| 10 | 17504805530 | 2 | WASHER | |
| 11 | X503003320 | 1 | LABEL, MODEL -- SRM-230 | |
| 12 | X503003330 | 1 | LABEL, MODEL -- SRM-230U | |
| 13 | X503001140 | 1 | LABEL, MODEL -- SRM-231 | |
| 14 | X503001630 | 1 | LABEL, MODEL -- SRM-231U | |
| 15 | X503003080 | 1 | LABEL, MODEL -- SRM-230S | |
| 16 | X503003110 | 1 | LABEL, MODEL -- SRM-231S | |

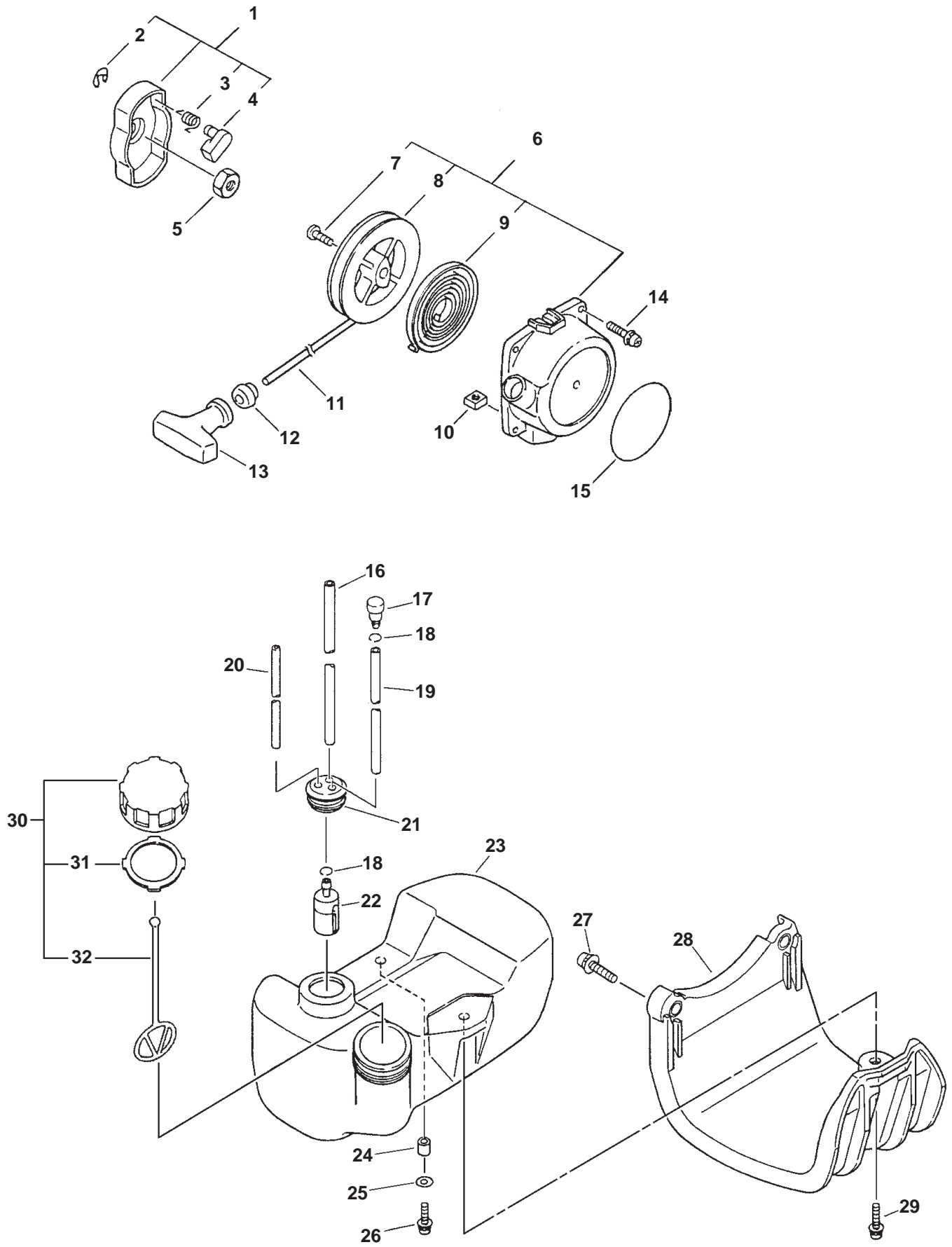
MODELS: SRM-230, 230U, 231, 231U

| | | | | |
|----|-------------|---|--------------------|----------------------|
| 17 | P021001410 | 1 | FAN COVER ASY | INCLUDES ITEMS 17-23 |
| 18 | 90070100012 | 1 | CIRCLIP 12 | |
| 19 | A172000030 | 1 | CASE, FAN | |
| 20 | 10021503930 | 2 | DOWEL PIN | |
| 21 | 90080796001 | 2 | BEARING, BALL 6001 | |
| 22 | 90070200028 | 1 | CIRCLIP 28 | |
| 23 | A556000030 | 1 | DRUM, CLUTCH | |

MODELS: SRM-230S, 231S

| | | | | |
|----|-------------|---|--------------------|----------------------|
| 24 | P021001460 | 1 | COVER ASY, FAN | INCLUDES ITEMS 25-30 |
| 25 | 90070100012 | 1 | CIRCLIP 12 | |
| 26 | A172000040 | 1 | CASE, FAN | |
| 27 | 10021503930 | 2 | DOWEL PIN | |
| 28 | 90080796001 | 2 | BEARING, BALL 6001 | |
| 29 | 90070200028 | 1 | CIRCLIP 28 | |
| 30 | A556000040 | 1 | DRUM, CLUTCH | |

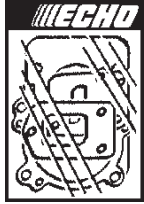
SERIAL NUMBERS: ALL



SERIAL NUMBERS: ALL

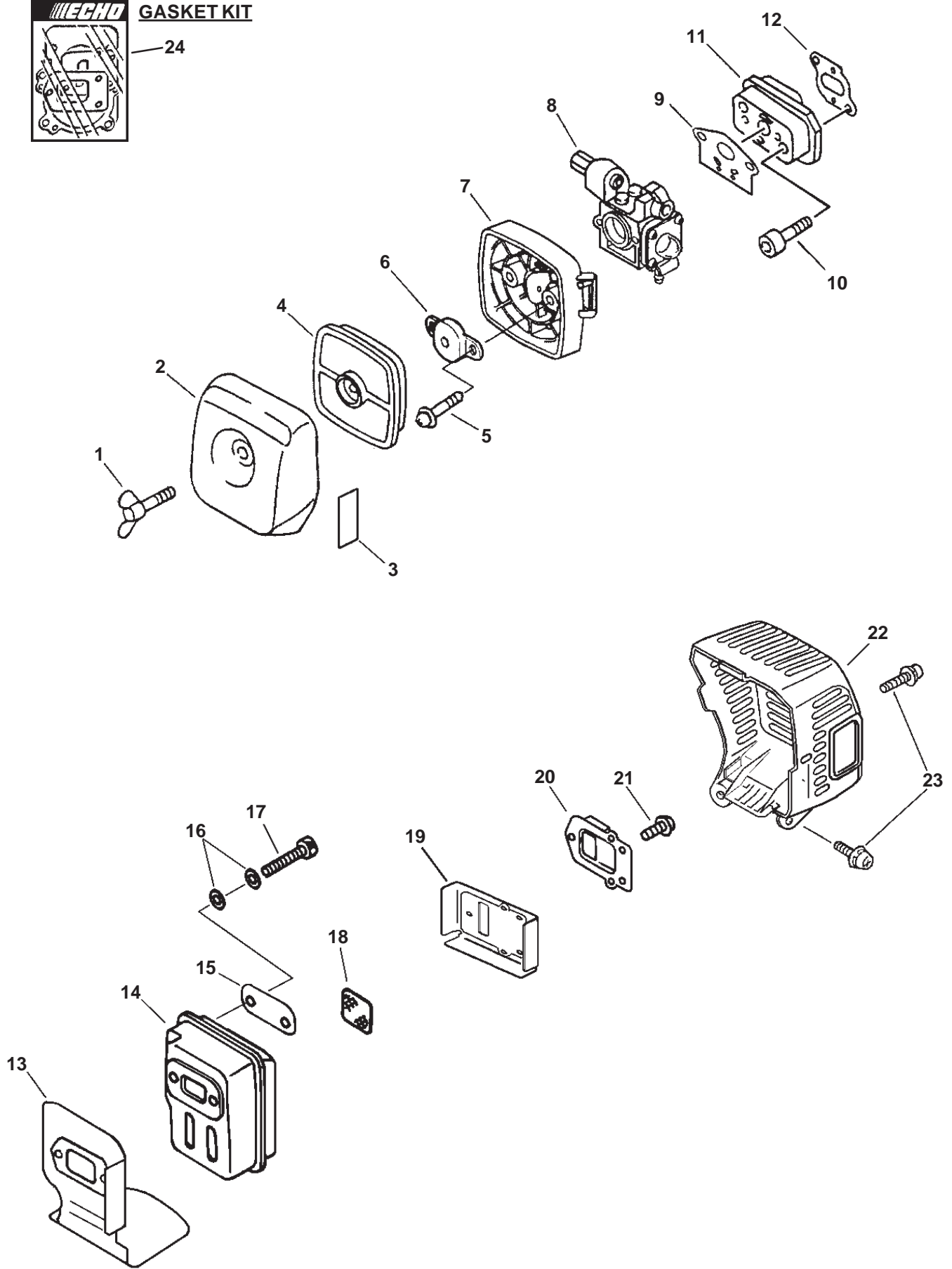
| ITEM | PART NUMBER | QTY | DESCRIPTION | REMARKS |
|------|-------------|-----|---------------------------|--------------------------|
| 1 | A052000030 | 1 | STARTER PAWL ASY | INCLUDES ITEMS 2-4 |
| 2 | 90070000004 | 2 | E-RING 4 | |
| 3 | 17723440630 | 2 | SPRING, RETURN | |
| 4 | 17721840630 | 2 | PAWL, STARTER | |
| 5 | 90050200008 | 1 | NUT 8 | |
| 6 | 17720055931 | 1 | STARTER ASY | INCLUDES ITEMS 7-13 |
| 7 | 17723644330 | 1 | SCREW | |
| 8 | 17721540630 | 1 | DRUM, STARTER | |
| 9 | 17722040630 | 1 | SPRING, REWIND | |
| 10 | 90056500005 | 1 | NUT | |
| 11 | 17722603930 | 1 | ROPE, STARTER - 3.5X850mm | BULK OPTION: 99944445000 |
| 12 | 17722742030 | 1 | GUIDE, ROPE | |
| 13 | 17722827030 | 1 | GRIP, STARTER | |
| 14 | 9112604012 | 4 | BOLT 4X12 | |
| 15 | X502000190 | 1 | LABEL, ECHO | |
| 16 | 13201052030 | 1 | PIPE, FUEL - 3X6X170mm | BULK OPTION: 90015 |
| 17 | A356000030 | 1 | VALVE, CHECK | |
| 18 | 13201326630 | 2 | CLIP | |
| 19 | V471000110 | 1 | PIPE, VENT - 3X6X115mm | BULK OPTION: 90015 |
| 20 | 13201256030 | 1 | PIPE, RETURN - 3X6X80mm | BULK OPTION: 90017 |
| 21 | 13211555930 | 1 | GROMMET, FUEL | |
| 22 | 13120519830 | 1 | FILTER, FUEL | |
| 23 | 13100555931 | 1 | TANK, FUEL | INCLUDES ITEM 24 |
| 24 | 13104528230 | 2 | SPACER | |
| 25 | 90060300005 | 2 | WASHER 5 | |
| 26 | 90016205016 | 2 | BOLT 5X16 | |
| 27 | 90016205022 | 2 | BOLT 5X22 | |
| 28 | 30511057733 | 1 | STAND | |
| 29 | 90024405020 | 1 | SCREW | |
| 30 | 13100455530 | 1 | FUEL TANK CAP ASY | INCLUDES ITEM 31-32 |
| 31 | 13101655830 | 1 | GASKET, FUEL CAP | |
| 32 | 13105156030 | 1 | CONNECTOR, FUEL CAP | |

SERIAL NUMBERS: 02001001-02999999



GASKET KIT

24

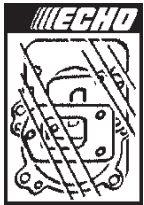


SERIAL NUMBERS: 02001001-02999999

| ITEM | PART NUMBER | QTY | DESCRIPTION | REMARKS |
|------|-------------|-----|-----------------------|---------|
| 1 | 21041752730 | 1 | WING BOLT | |
| 2 | 13031306563 | 1 | LID, AIR CLEANER | |
| 3 | 89012152730 | 1 | LABEL, CHOKE | |
| 4 | 13031054130 | 1 | FILTER, AIR | |
| 5 | 90024205060 | 2 | SCREW 5X60 | |
| 6 | 12901152730 | 1 | PLATE, PREVENT | |
| 7 | P021000991 | 1 | CASE, AIR CLEANER | |
| 8 | A021000061 | 1 | CARBURETOR -- RB-K57A | |
| ★ 9 | 13001013410 | 1 | GASKET, INTAKE | |
| 10 | 90016205025 | 2 | BOLT 5X25 | |
| 11 | 13001756430 | 1 | INSULATOR | |
| ★ 12 | 13001055930 | 1 | GASKET, INTAKE | |
| ★ 13 | V104000061 | 1 | SHIELD, MUFFLER | |
| 14 | A300000141 | 1 | MUFFLER | |
| 15 | V150000371 | 1 | PLATE, EYE | |
| 16 | V347000000 | 4 | CONICAL WASHER | |
| 17 | 90010505055 | 2 | BOLT 5X55 | |
| 18 | 14586240630 | 1 | SCREEN, MUFFLER | |
| ★ 19 | V104000360 | 1 | GASKET, EXHAUST | |
| 20 | A313000130 | 1 | GUIDE, EXHAUST | |
| 21 | 9136704010 | 5 | SCREW | |
| 22 | A320000001 | 1 | COVER, MUFFLER | |
| 23 | 90010605012 | 2 | BOLT 5X12 | |

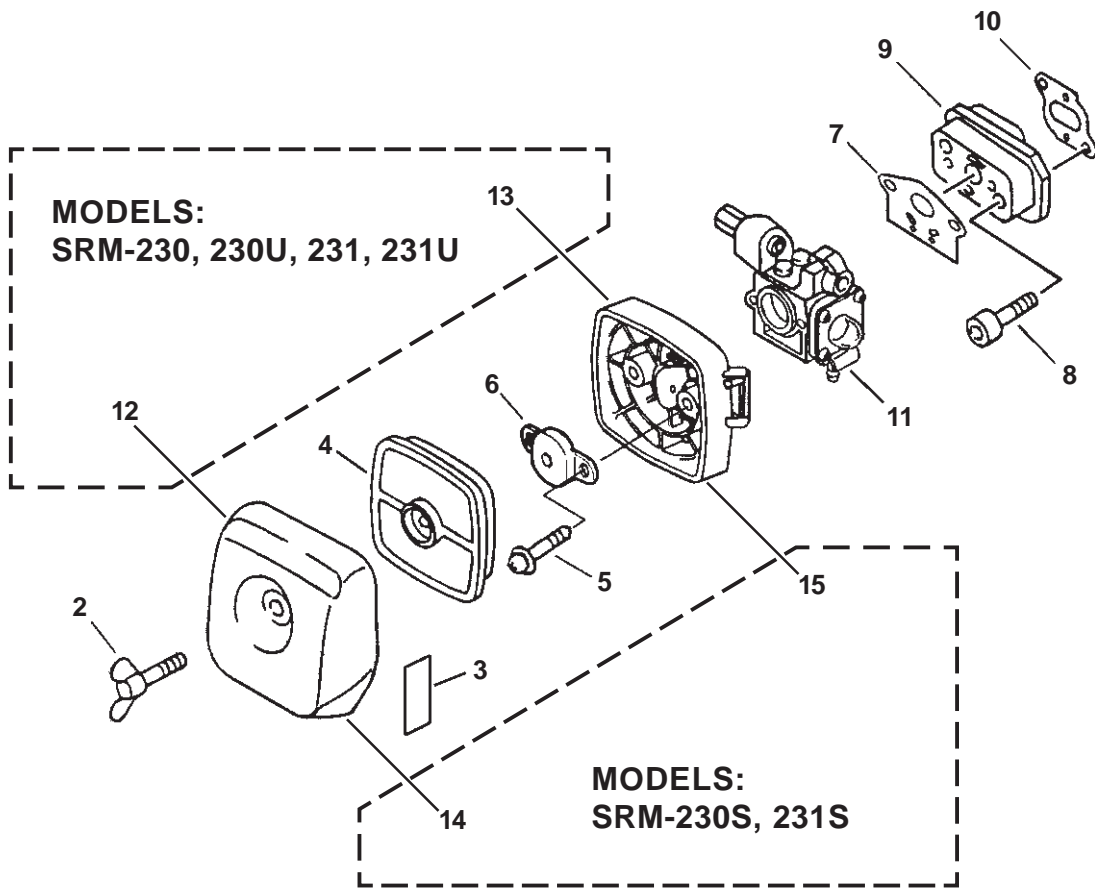
★ Also Included In GASKET KIT

| | | | | |
|----|------------|---|------------|--|
| 24 | P021002600 | 1 | GASKET KIT | |
|----|------------|---|------------|--|



GASKET KIT

1



MODELS:
SRM-230, 230U, 231, 231U

MODELS:
SRM-230S, 231S

SRM-230, 230S, 230U, 231, 231S, 231U

INTAKE

SERIAL NUMBERS: 05001001-07999999

| ITEM | PART NUMBER | QTY | DESCRIPTION | REMARKS |
|------|-------------|-----|----------------|---------|
| 1 | P021003900 | 1 | GASKET KIT | |
| 2 | 21041752730 | 1 | WING BOLT | |
| 3 | 89012152730 | 1 | LABEL, CHOKE | |
| 4 | 13031054130 | 1 | FILTER, AIR | |
| 5 | 90024205060 | 2 | SCREW 5X60 | |
| 6 | 12901152730 | 1 | PLATE, PREVENT | |
| ★ 7 | 13001013410 | 1 | GASKET, INTAKE | |
| 8 | 90016205025 | 2 | BOLT 5X25 | |
| 9 | 13001756431 | 1 | INSULATOR | |
| ★ 10 | 13001055930 | 1 | GASKET, INTAKE | |

★ Also Included In GASKET KIT

| | | | | |
|---|-------|---|--------------|--|
| 11 | ----- | 1 | CARBURETOR** | |
| **SEE CARBURETOR DIAGRAMS FOR MODEL APPLICATIONS AND SERIAL NUMBERS | | | | |

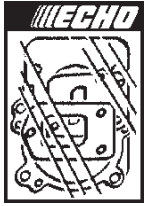
MODELS: SRM-230, 230U, 231, 231U

| | | | | |
|----|-------------|---|-------------------|----------------------------------|
| 12 | 13031306563 | 1 | LID, AIR CLEANER | MODELS: SRM-230, 230U, 231, 231U |
| 13 | P021000991 | 1 | CASE, AIR CLEANER | MODELS: SRM-230, 230U, 231, 231U |

MODELS: SRM-230S, 231S

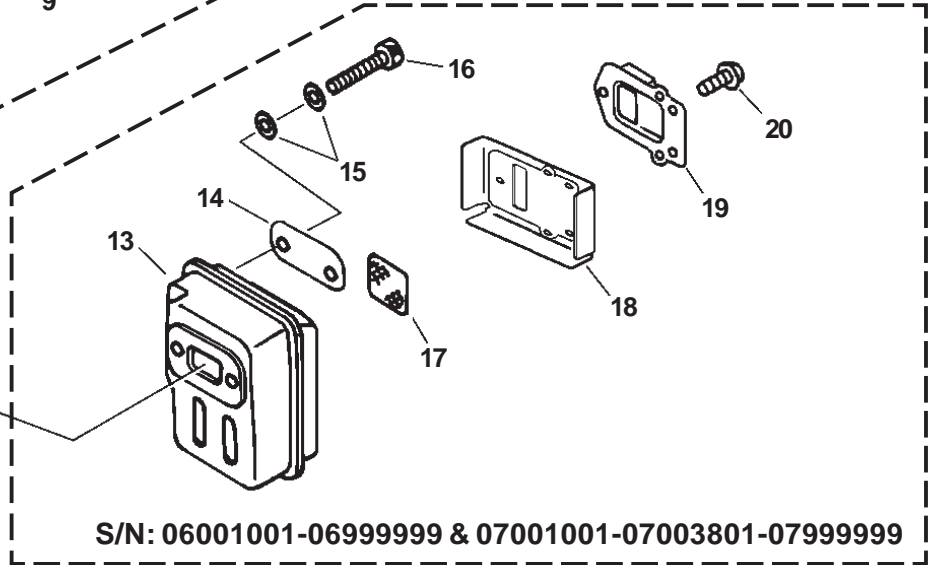
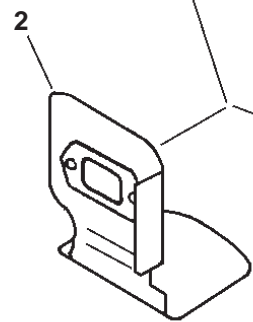
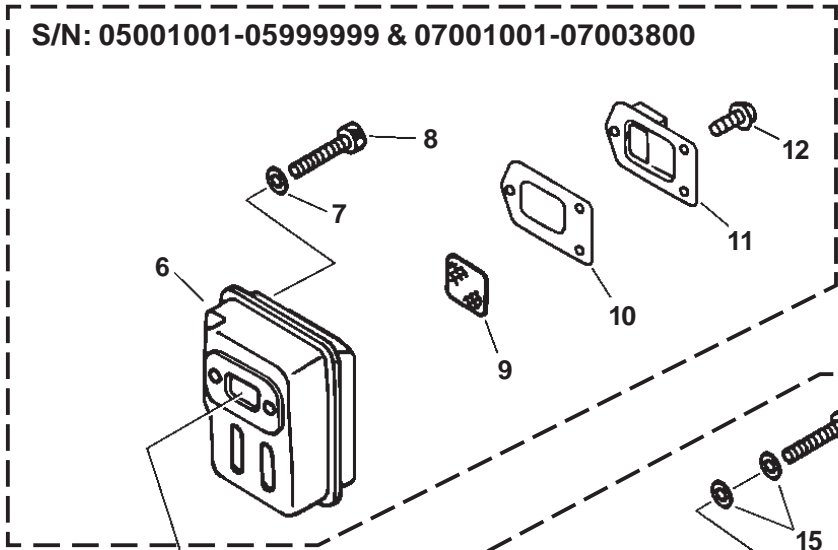
| | | | | |
|----|-------------|---|-------------------|------------------------|
| 14 | 13031305863 | 1 | LID, AIR CLEANER | MODELS: SRM-230S, 231S |
| 15 | P021004480 | 1 | CASE, AIR CLEANER | MODELS: SRM-230S, 231S |

SERIAL NUMBERS: 05001001-07999999



GASKET KIT

1

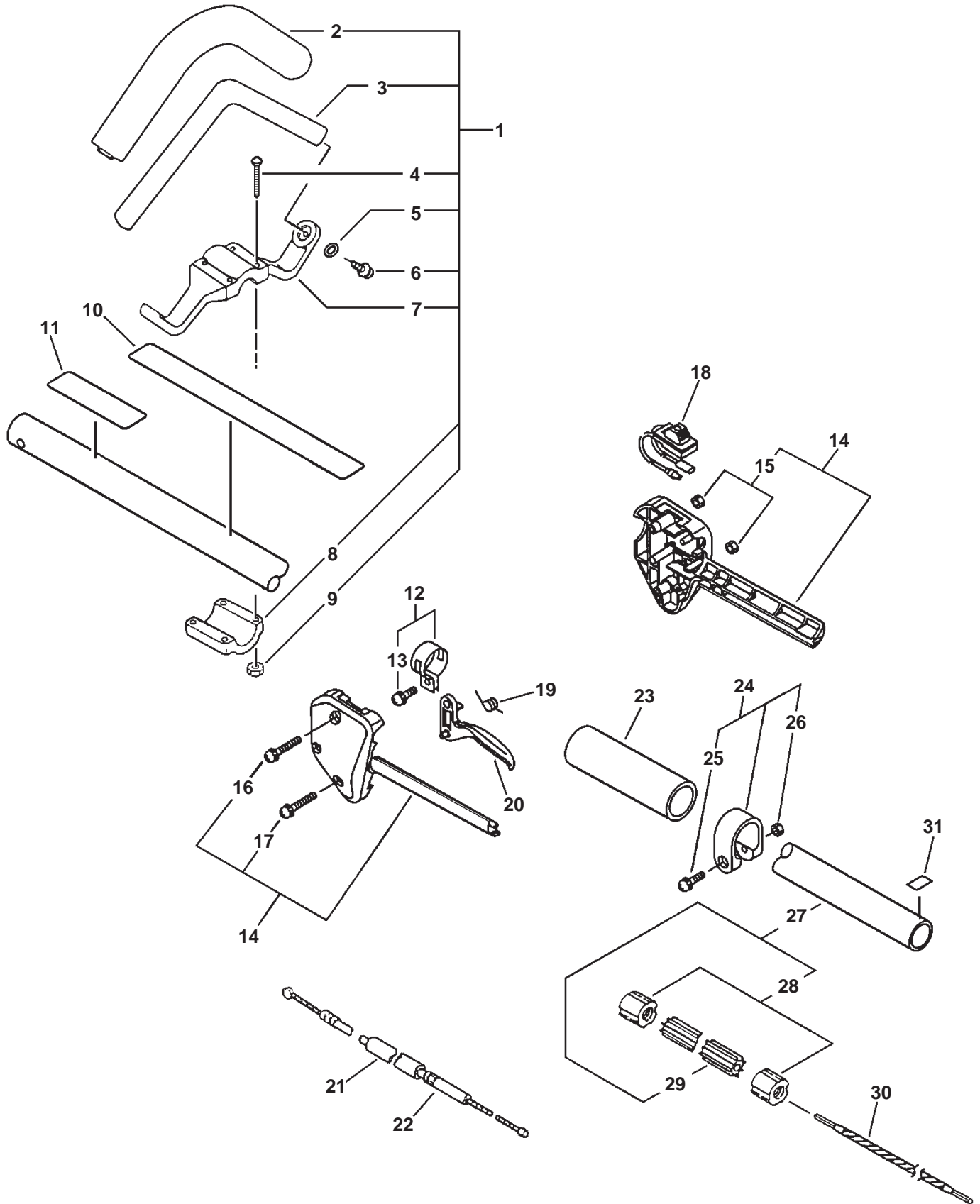


SERIAL NUMBERS: 05001001-07999999

| ITEM | PART NUMBER | QTY | DESCRIPTION | REMARKS |
|---|-------------|-----|----------------------|---------|
| 1 | P021003900 | 1 | GASKET KIT | |
| ★ 2 | V104000061 | 1 | SHIELD, MUFFLER | |
| 3 | A320000001 | 1 | COVER, MUFFLER | |
| 4 | 90010605012 | 2 | BOLT5X12 | |
| 5 | 89016006361 | 1 | LABEL, CAUTION - HOT | |
| <u>S/N:05001001-05999999 & 07001001-07003800</u> | | | | |
| 6 | 14580642030 | 1 | MUFFLER | |
| 7 | 90060000005 | 2 | WASHER | |
| 8 | 90010505055 | 2 | BOLT5X55 | |
| 9 | 14586240630 | 1 | SCREEN, MUFFLER | |
| ★ 10 | 14586642031 | 1 | GASKET, EXHAUST | |
| 11 | A313000350 | 1 | GUIDE, EXHAUST | |
| 12 | 90024204010 | 3 | SCREW 4X10 | |
| <u>S/N:06001001-06999999 & 07001001-07003801-07999999</u> | | | | |
| 13 | A300000141 | 1 | MUFFLER | |
| 14 | V150000371 | 1 | PLATE, EYE | |
| 15 | V347000000 | 4 | CONICAL WASHER | |
| 16 | 90010505055 | 2 | BOLT5X55 | |
| 17 | 14586240630 | 1 | SCREEN, MUFFLER | |
| ★ 18 | V104000360 | 1 | GASKET, EXHAUST | |
| 19 | A313000130 | 1 | GUIDE, EXHAUST | |
| 20 | 9136704010 | 5 | SCREW 4X10 | |

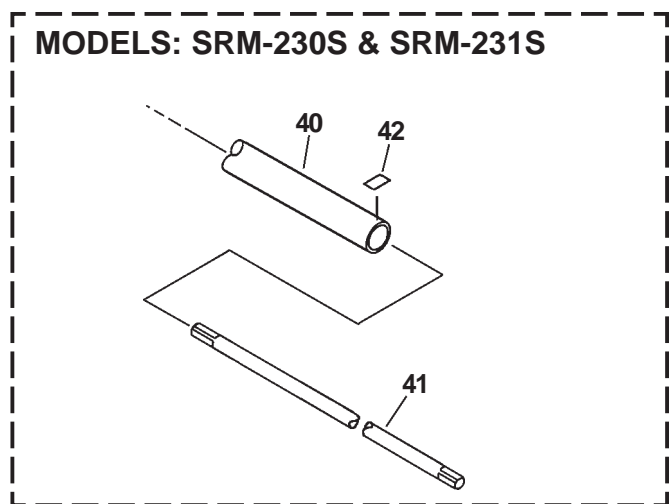
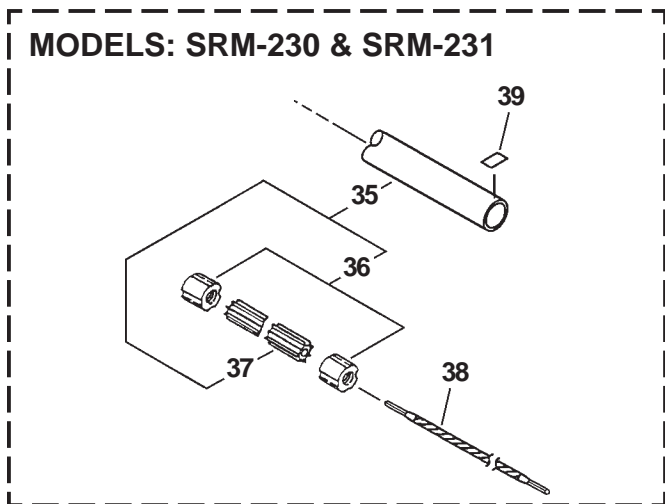
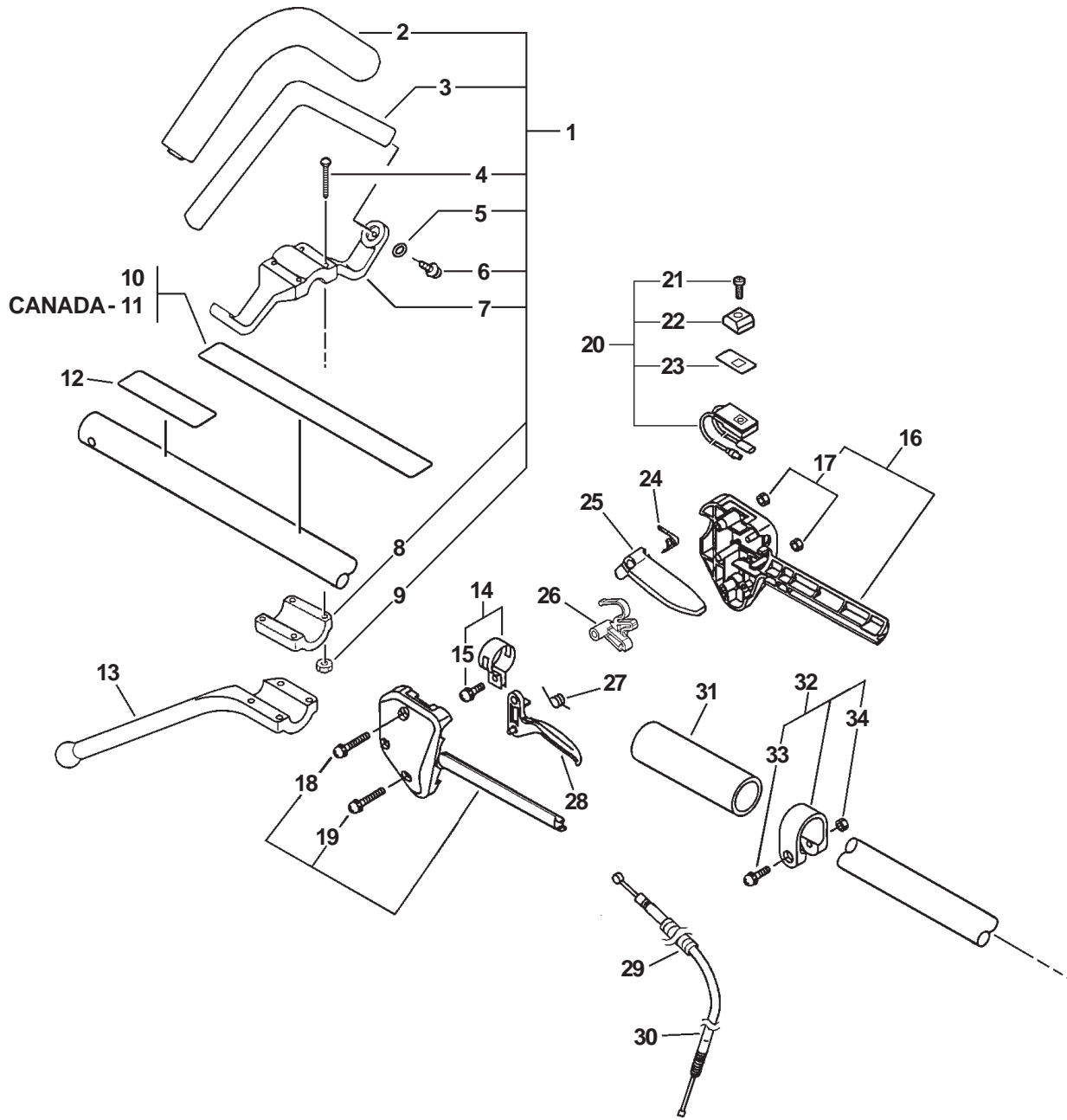
★ Also Included In GASKET KIT

SERIAL NUMBERS: 02001001-02999999



SERIAL NUMBERS: 02001001-02999999

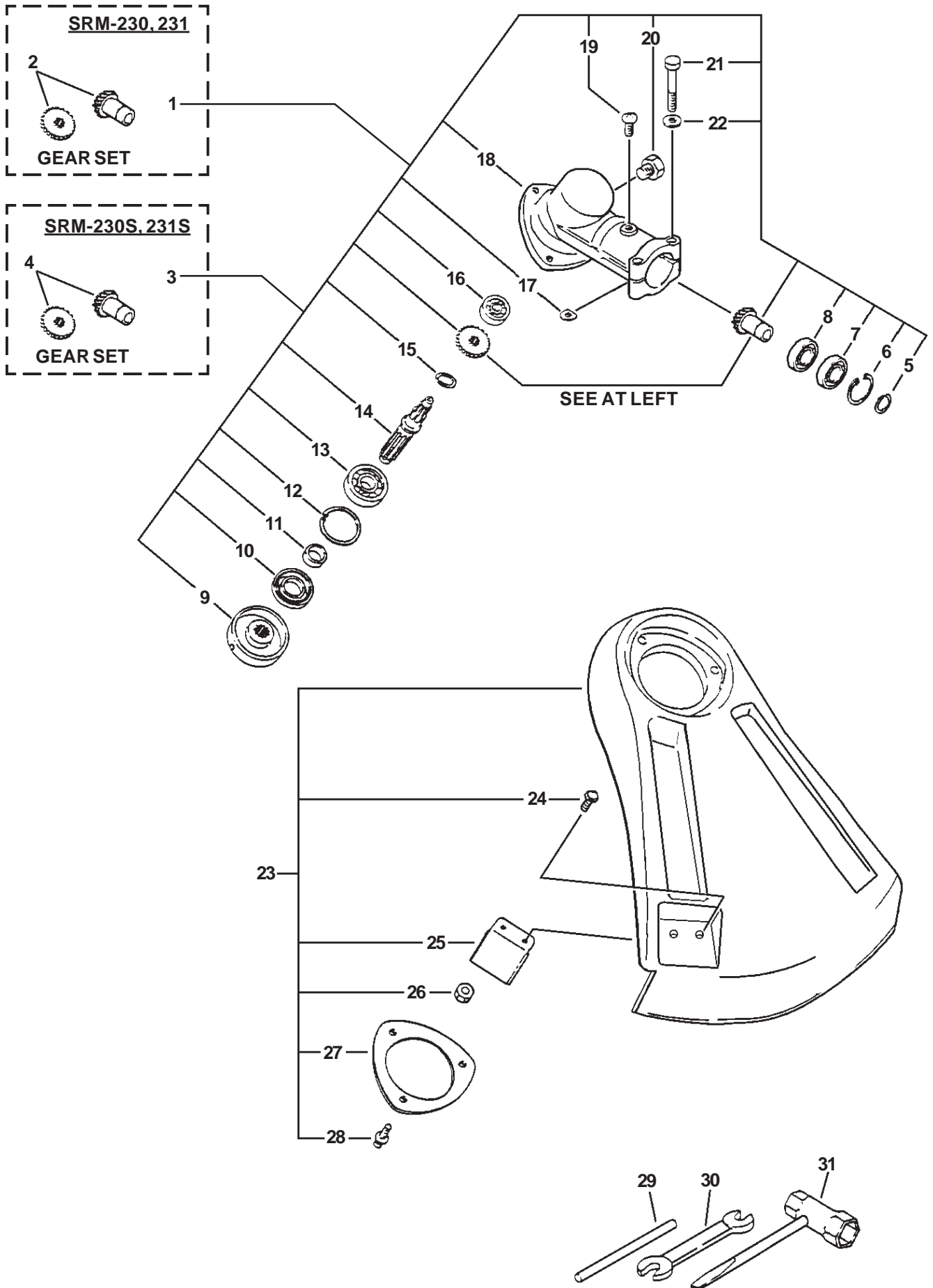
| ITEM | PART NUMBER | QTY | DESCRIPTION | REMARKS |
|------|-------------|-----|--------------------------|----------------------|
| 1 | P021000020 | 1 | FRONT HANDLE ASY | INCLUDES ITEMS 2-9 |
| 2 | 35121666230 | 1 | GRIP, HANDLE | |
| 3 | 35120566230 | 1 | HANDLE, FRONT | |
| 4 | 90024205035 | 4 | SCREW 5X35 | |
| 5 | 90060000005 | 2 | WASHER 5 | |
| 6 | 88995021060 | 2 | SCREW 5 | |
| 7 | 35123266230 | 1 | BRACKET, HANDLE - UPPER | |
| 8 | 35122507130 | 1 | BRACKET, HANDLE - LOWER | |
| 9 | 90050000005 | 4 | NUT 5 | |
| 10 | 89016054130 | 1 | LABEL, CAUTION | |
| 11 | 89022809560 | 1 | LABEL, CAUTION - SPANISH | |
| 12 | 30120029430 | 1 | BAND ASY | INCLUDES ITEM 13 |
| 13 | 90024205014 | 1 | SCREW 5X14 | |
| 14 | 17800352130 | 1 | BRACKET SET THROTTLE | INCLUDES ITEMS 15-17 |
| 15 | 90050000005 | 2 | NUT 5 | |
| 16 | 90024205035 | 1 | SCREW 5X35 | |
| 17 | 90024205025 | 1 | SCREW 5X25 | |
| 18 | 16340049330 | 1 | SWITCH, IGNITION | |
| 19 | 17804342230 | 1 | SPRING, THROTTLE RETURN | |
| 20 | 17801052130 | 1 | CONTROL, THROTTLE | |
| 21 | 16211056530 | 1 | TUBE | |
| 22 | 17800156530 | 1 | CABLE, THROTTLE | |
| 23 | 35121352130 | 1 | GRIP, FRONT HANDLE | |
| 24 | 61027252130 | 1 | BAND | INCLUDES ITEMS 25-26 |
| 25 | 90024205028 | 1 | SCREW 5X28 | |
| 26 | 90050000005 | 1 | NUT 5 | |
| 27 | 61020644730 | 1 | MAIN PIPE ASY | INCLUDES ITEMS 28-29 |
| 28 | 61024644730 | 2 | STOPPER | |
| 29 | 61021744730 | 1 | LINER, FLEXIBLE | |
| 30 | 61001344730 | 1 | DRIVESHAFT, FLEXIBLE | |
| 31 | 89015204930 | 1 | LABEL, ALIGNMENT | |



SERIAL NUMBERS: 05001001-07999999

| ITEM | PART NUMBER | QTY | DESCRIPTION | REMARKS |
|--|-------------|-----|----------------------------------|----------------------------------|
| 1 | P021000020 | 1 | FRONT HANDLE ASY | INCLUDES ITEMS 2-9 |
| 2 | 35121666230 | 1 | GRIP, HANDLE | |
| 3 | 35120566230 | 1 | HANDLE, FRONT | |
| 4 | 90024205035 | 4 | SCREW 5X35 | |
| 5 | 90060000005 | 2 | WASHER 5 | |
| 6 | 90025305020 | 2 | SCREW 5 | |
| 7 | 35123266230 | 1 | BRACKET, HANDLE - UPPER | |
| 8 | 35122507130 | 1 | BRACKET, HANDLE - LOWER | |
| 9 | 90050000005 | 4 | NUT 5 | |
| 10 | 89016054130 | 1 | LABEL, CAUTION | |
| 11 | 89031749030 | 1 | LABEL, CAUTION | CANADA MODELS: 07001001-07999999 |
| 12 | 89022809560 | 1 | LABEL, CAUTION - SPANISH | |
| 13 | 99944200455 | 1 | BAR, BARRIER | |
| 14 | 30120029430 | 1 | BAND KIT | INCLUDES ITEM 15 |
| 15 | 90024205014 | 1 | SCREW 5X14 | |
| 16 | 17800352130 | 1 | BRACKET SET THROTTLE | INCLUDES ITEMS 17-19 |
| 17 | 90050000005 | 2 | NUT 5 | |
| 18 | 90024205035 | 1 | SCREW 5X35 | |
| 19 | 90024205025 | 1 | SCREW 5X25 | |
| 20 | A440000280 | 1 | IGNITION SWITCH ASY | INCLUDES ITEMS 21-23 |
| 21 | 9154503010 | 1 | SCREW | |
| 22 | 16341049231 | 1 | KNOB, SWITCH | |
| 23 | 89015712330 | 1 | COVER, SWITCH | |
| 24 | 17801352630 | 1 | SPRING, THROTTLE TRIGGER LOCKOUT | |
| 25 | 17809052630 | 1 | LEVER, THROTTLE TRIGGER LOCKOUT | |
| 26 | 17801252730 | 1 | LOCKOUT, THROTTLE TRIGGER | |
| 27 | 17804342230 | 1 | SPRING, THROTTLE RETURN | |
| 28 | 17801052130 | 1 | TRIGGER, THROTTLE | |
| 29 | 16211056530 | 1 | TUBE | |
| 30 | V430000730 | 1 | CABLE, THROTTLE | |
| 31 | 35121352130 | 1 | GRIP, FRONT HANDLE | |
| 32 | 61027252130 | 1 | BAND KIT | INCLUDES ITEMS 33-34 |
| 33 | 90024205028 | 1 | SCREW 5X28 | |
| 34 | 90050000005 | 1 | NUT 5 | |
| <u>MODELS: SRM-230 & SRM-231</u> | | | | |
| 35 | 61060944730 | 1 | MAIN PIPE ASY | INCLUDES ITEMS 36-37 |
| 36 | 61024644730 | 2 | STOPPER | |
| 37 | 61021744730 | 1 | LINER, FLEXIBLE | |
| 38 | 61001344730 | 1 | DRIVESHAFT, FLEXIBLE | |
| 39 | 89015204930 | 1 | LABEL, ALIGNMENT | |
| <u>MODELS: SRM-230S & SRM-231S</u> | | | | |
| 40 | 61020656030 | 1 | MAIN PIPE | |
| 41 | C504000050 | 1 | DRIVESHAFT, SOLID | |
| 42 | 89015204930 | 1 | LABEL, ALIGNMENT | |

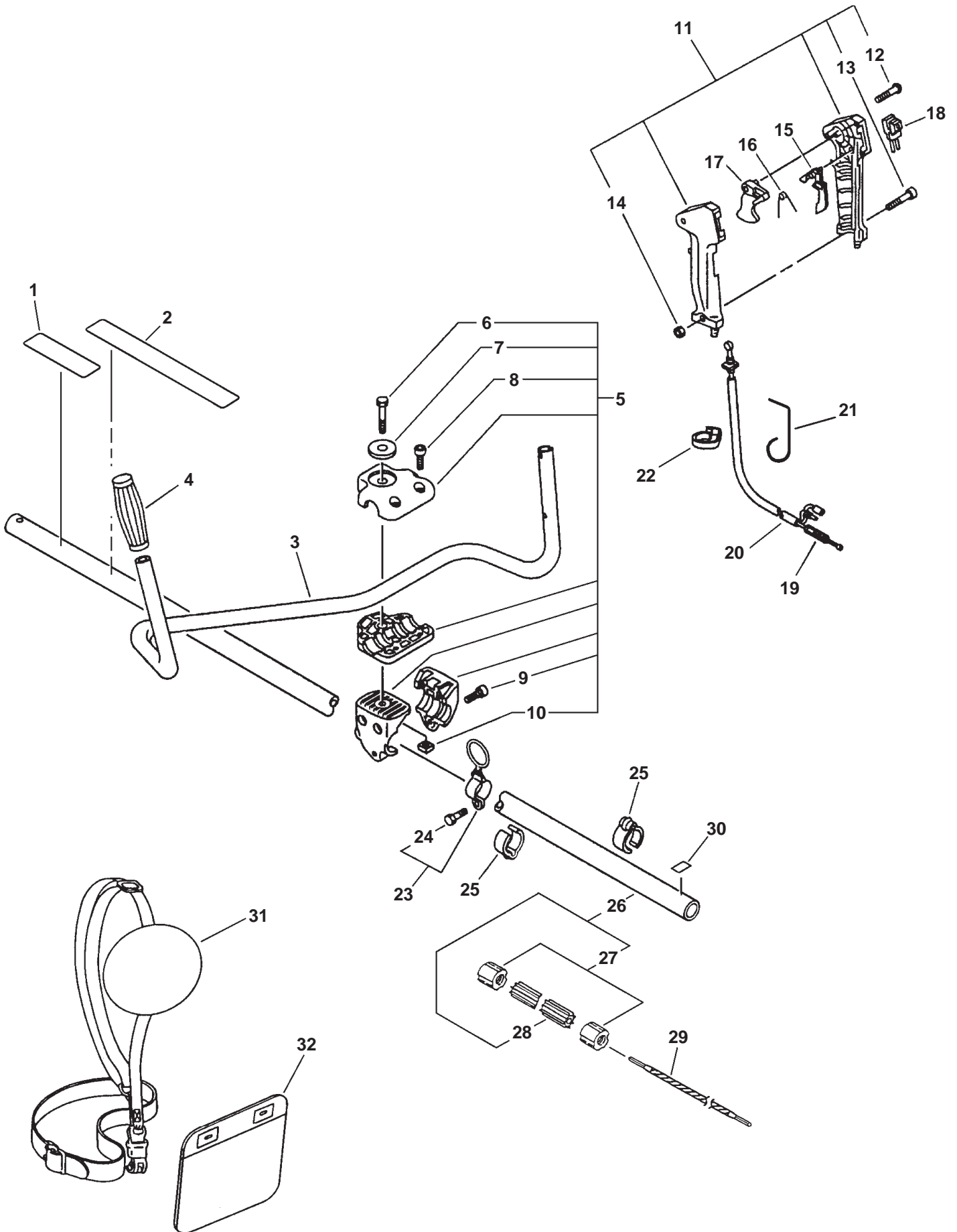
SERIAL NUMBERS: ALL



SERIAL NUMBERS: ALL

| ITEM | PART NUMBER | QTY | DESCRIPTION | REMARKS |
|-----------------------|-------------|-----|----------------------------|----------------------|
| <u>SRM-230, 231</u> | | | | |
| 1 | 61040247732 | 1 | GEAR HOUSING ASY | INCLUDES ITEMS 5-22 |
| 2 | 61030044830 | 1 | GEAR SET | |
| <u>SRM-230S, 231S</u> | | | | |
| 3 | 61040057732 | 1 | GEAR HOUSING ASY | INCLUDES ITEMS 5-22 |
| 4 | 61030040930 | 1 | GEAR SET | |
| 5 | 90070600010 | 1 | CIRCLIP 10 | |
| 6 | 90070200022 | 1 | CIRCLIP 22 | |
| 7 | 90085806900 | 1 | BEARING, BALL 6900Z | |
| 8 | 90085506900 | 1 | BEARING, BALL 6900 | |
| 9 | 61031347731 | 1 | PLATE, ADAPTER (UPPER) | |
| 10 | 61041307130 | 1 | SEAL, OIL | |
| 11 | 61031507130 | 1 | SPACER | |
| 12 | 90070200032 | 1 | CIRCLIP 32 | |
| 13 | 9403536201 | 1 | BEARING, BALL 6201 | |
| 14 | 61036008931 | 1 | SHAFT, P.T.O. | |
| 15 | 90070600012 | 1 | CIRCLIP 12 | |
| 16 | 90080000609 | 1 | BEARING, BALL 609 | |
| 17 | 61023904130 | 2 | SHIM WASHER | |
| 18 | 61046027430 | 1 | HOUSING, GEAR | |
| 19 | 90024205010 | 1 | SCREW 5X10 | |
| 20 | 61043450031 | 1 | BOLT 8X8 | |
| 21 | 90010005035 | 2 | BOLT 5X35 | |
| 22 | 90060000005 | 2 | WASHER 5 | |
| 23 | P021001391 | 1 | SHIELD ASY | INCLUDES ITEMS 24-28 |
| 24 | 90023805016 | 2 | SCREW 5X16 | |
| 25 | 69901644330 | 1 | CUTTER | |
| 26 | 90050000005 | 2 | NUT 5 | |
| 27 | C552000110 | 1 | BRACKET, SHIELD | |
| 28 | 90023805016 | 3 | SCREW 5X16 | |
| 29 | 89751801131 | 1 | TOOL, BAR | |
| 30 | 89511200330 | 1 | TOOL, SPANNER | |
| 31 | 89541008030 | 1 | TOOL, WRENCH W/SCREWDRIVER | |

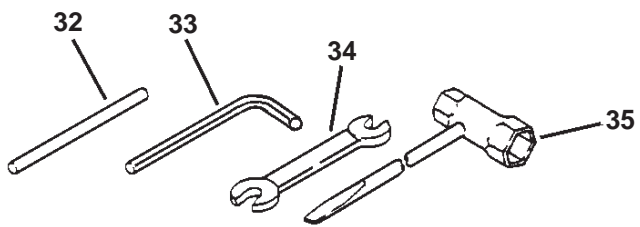
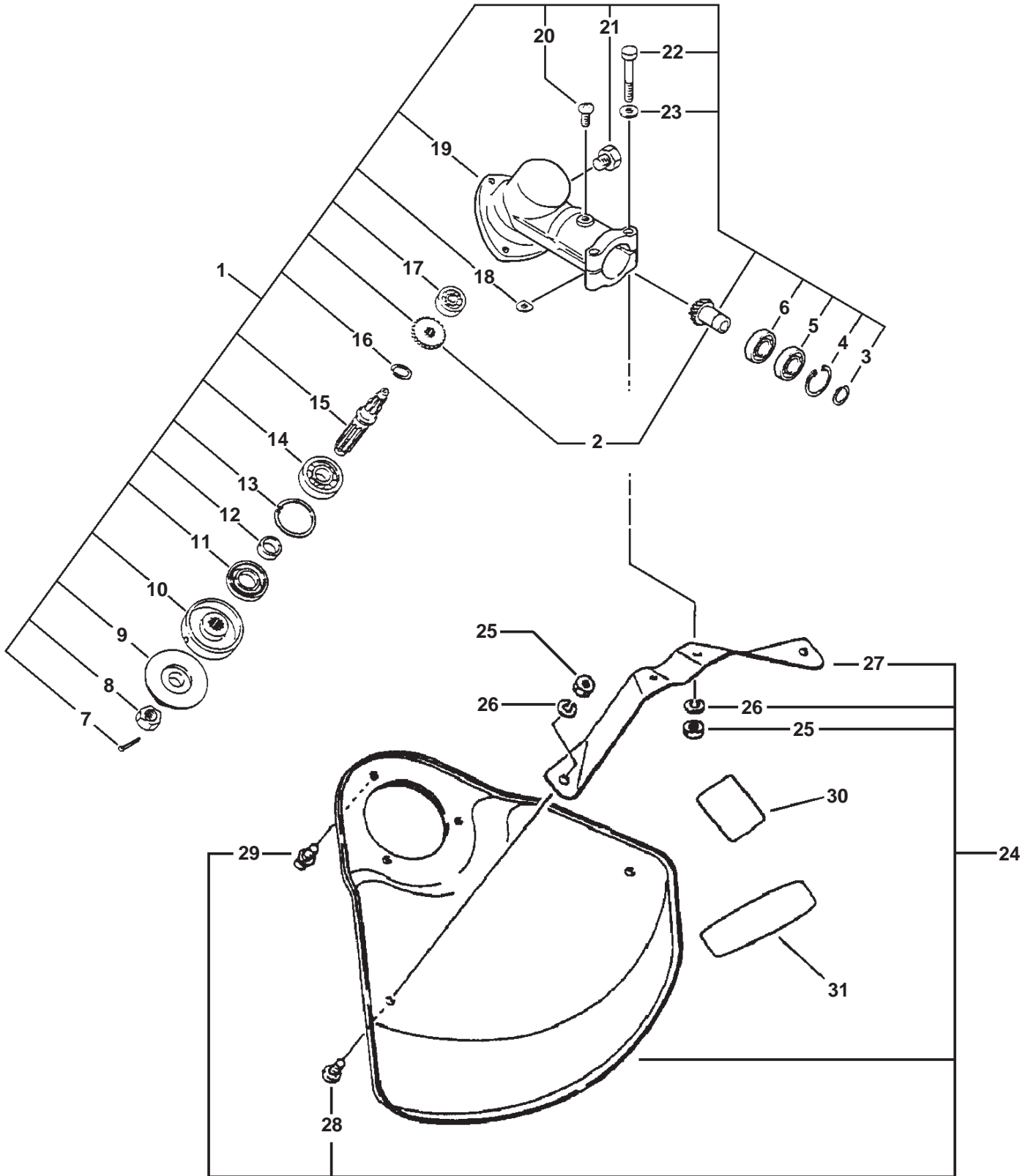
SERIAL NUMBERS: ALL



SERIAL NUMBERS: ALL

| ITEM | PART NUMBER | QTY | DESCRIPTION | REMARKS |
|------|-------------|-----|--------------------------|----------------------|
| 1 | 89022809560 | 1 | LABEL, CAUTION - SPANISH | |
| 2 | 89016054130 | 1 | LABEL, CAUTION | |
| 3 | C400000000 | 1 | HANDLE, FRONT | |
| 4 | 35131102330 | 1 | GRIP, HANDLE | |
| 5 | 35130152130 | 1 | HANDLE BRACKET ASY | INCLUDES ITEMS 6-10 |
| 6 | 35142152130 | 1 | BOLT | |
| 7 | 60501454230 | 1 | WASHER | |
| 8 | 90016205020 | 2 | BOLT 5X20 | |
| 9 | 90016205030 | 3 | BOLT 5X30 | |
| 10 | 90056550008 | 1 | NUT | |
| 11 | 35110247530 | 1 | F-HANDLE GRIP ASY | INCLUDES ITEMS 12-14 |
| 12 | 90024603025 | 4 | SCREW 3X25 | |
| 13 | 90022005030 | 1 | SCREW 5X30 | |
| 14 | 90050000005 | 1 | NUT 5 | |
| 15 | 17801205960 | 1 | LOCKOUT, THROTTLE | |
| 16 | 17801335631 | 1 | SPRING, THROTTLE LOCK | |
| 17 | 17801005960 | 1 | CONTROL, THROTTLE | |
| 18 | A440000300 | 1 | SWITCH, IGNITION | |
| 19 | V430000740 | 1 | CABLE, THROTTLE | |
| 20 | V475000000 | 1 | TUBE | |
| 21 | 17811106230 | 1 | CLAMP | |
| 22 | 15911209960 | 1 | CLIP | |
| 23 | 30120021330 | 1 | HOOK ASY | INCLUDES ITEMS 24 |
| 24 | 90010005012 | 1 | BOLT 5X12 | |
| 25 | 22492452130 | 2 | CLIP | |
| 26 | 61060944730 | 1 | MAIN PIPE ASY | INCLUDES ITEMS 27-28 |
| 27 | 61024644730 | 2 | STOPPER | |
| 28 | 61021744730 | 1 | LINER, FLEXIBLE | |
| 29 | 61001344730 | 1 | DRIVESHAFT, FLEXIBLE | |
| 30 | 89015204930 | 1 | LABEL, ALIGNMENT | |
| 31 | 30100052131 | 1 | HARNESS, SHOULDER | |
| 32 | 30110541830 | 1 | CUSHION | |

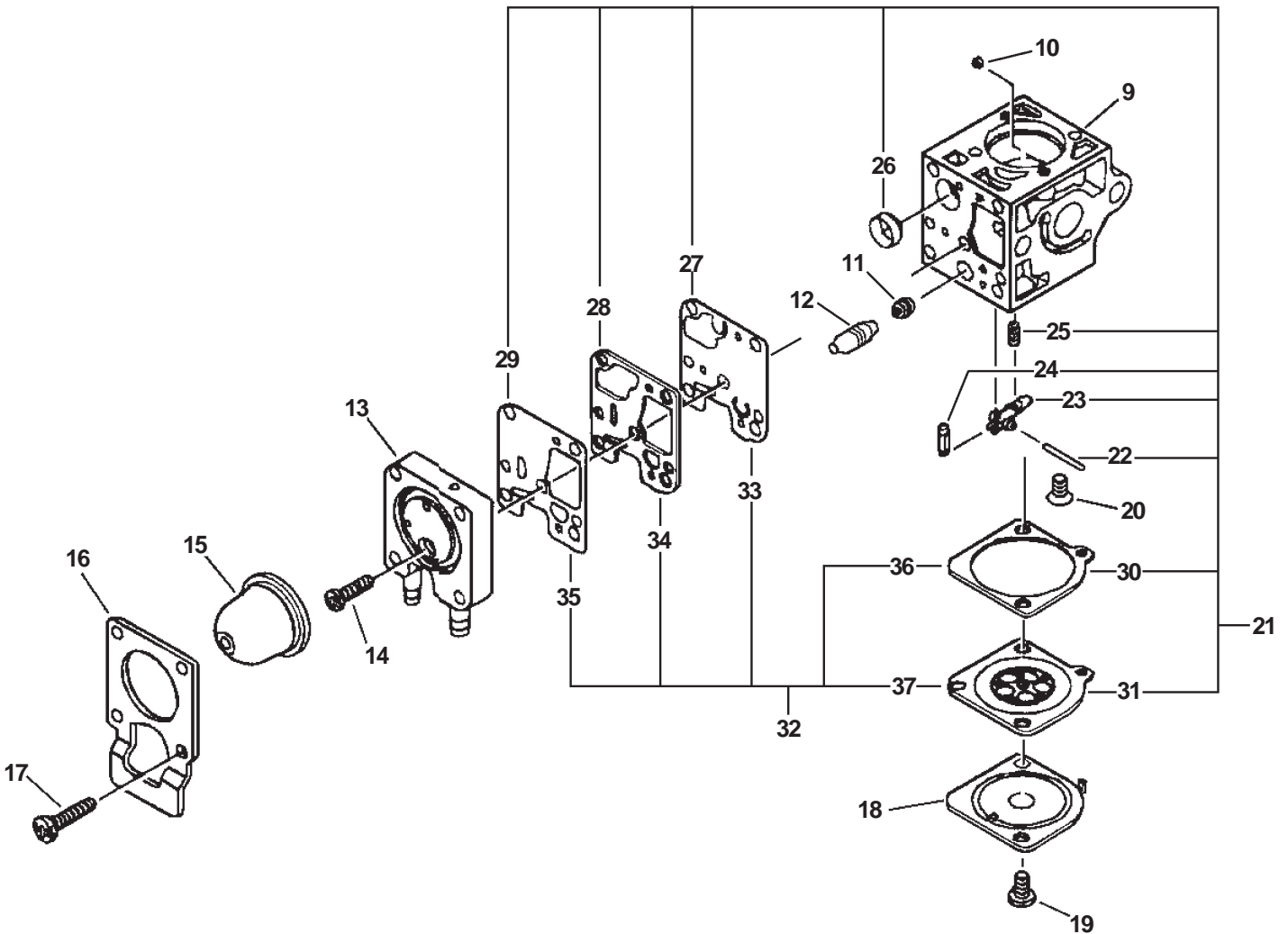
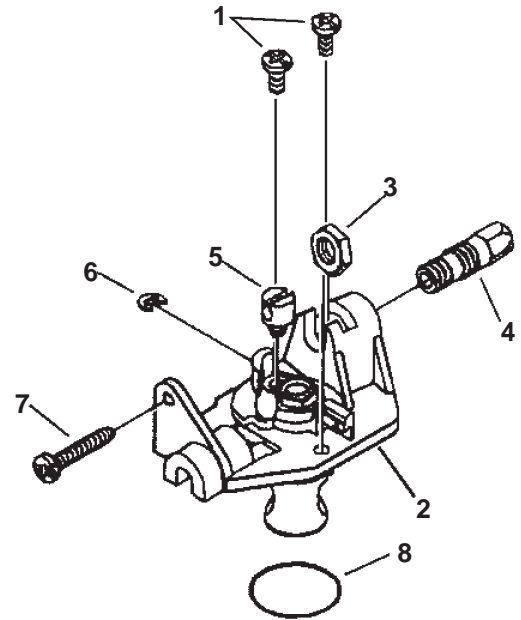
SERIAL NUMBERS: ALL



SERIAL NUMBERS: ALL

| ITEM | PART NUMBER | QTY | DESCRIPTION | REMARKS |
|------|-------------|-----|----------------------------|----------------------|
| 1 | 61040240930 | 1 | GEAR HOUSING ASY | INCLUDES ITEMS 2-23 |
| 2 | 61030044830 | 1 | BEVEL GEAR SET | |
| 3 | 90070600010 | 1 | CIRCLIP 10 | |
| 4 | 90070200022 | 1 | CIRCLIP 22 | |
| 5 | 90085806900 | 1 | BEARING, BALL 6900 | |
| 6 | 90085506900 | 1 | BEARING, BALL 6900 | |
| 7 | 90030020022 | 1 | PIN, SPLIT 2X22 | |
| 8 | 90051100010 | 1 | NUT 10 - LEFT HANDED | |
| 9 | 61031404131 | 1 | PLATE, ADAPTER - LOWER | |
| 10 | 61033808931 | 1 | PLATE, ADAPTER - UPPER | |
| 11 | 61041307130 | 1 | OIL SEAL | |
| 12 | 90070200032 | 1 | CIRCLIP 32 | |
| 13 | 61031507130 | 1 | SPACER | |
| 14 | 9403536201 | 1 | BEARING, BALL 6201 | |
| 15 | 61036008931 | 1 | SHAFT, P.T.O. | |
| 16 | 90070600012 | 1 | CIRCLIP 12 | |
| 17 | 90080000609 | 1 | BEARING, BALL 609 | |
| 18 | 61023904130 | 2 | WASHER, SHIM | |
| 19 | 61046027431 | 1 | CASE, GEAR | |
| 20 | 90024205010 | 1 | SCREW 5X10 | |
| 21 | 90010008008 | 1 | BOLT 8X8 | |
| 22 | 90010005035 | 2 | BOLT 5X35 | |
| 23 | 90060000005 | 2 | WASHER | |
| 24 | 69900023431 | 1 | SHIELD ASY | INCLUDES ITEMS 25-29 |
| 25 | 90050000005 | 4 | NUT 5 | |
| 26 | 90060500005 | 4 | SPRING WASHER 5 | |
| 27 | 69901523431 | 1 | BRACKET, SHIELD | |
| 28 | 90022005008 | 2 | SCREW 5X8 | |
| 29 | 90024205010 | 3 | SCREW 5X10 | |
| 30 | 89011848830 | 1 | LABEL, ECHO | |
| 31 | 89016841031 | 1 | LABEL, CAUTION | |
| 32 | 89751801131 | 1 | TOOL, BAR | |
| 33 | 89561000130 | 1 | TOOL, L-WRENCH - 4mm | |
| 34 | 89511200330 | 1 | TOOL, SPANNER 8X10 | |
| 35 | 89541008030 | 1 | TOOL, WRENCH W/SCREWDRIVER | |

SERIAL NUMBERS: 02001001-02999999



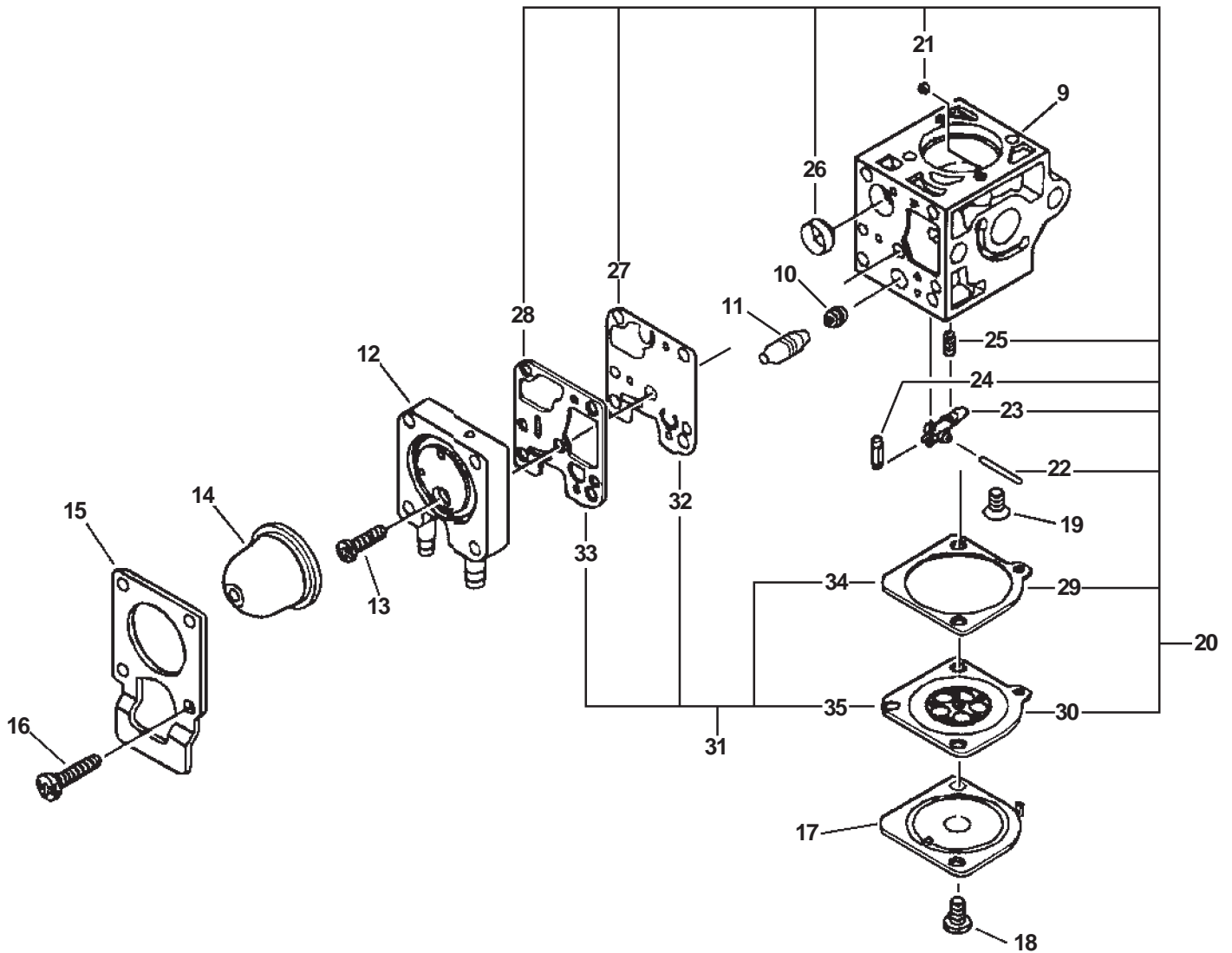
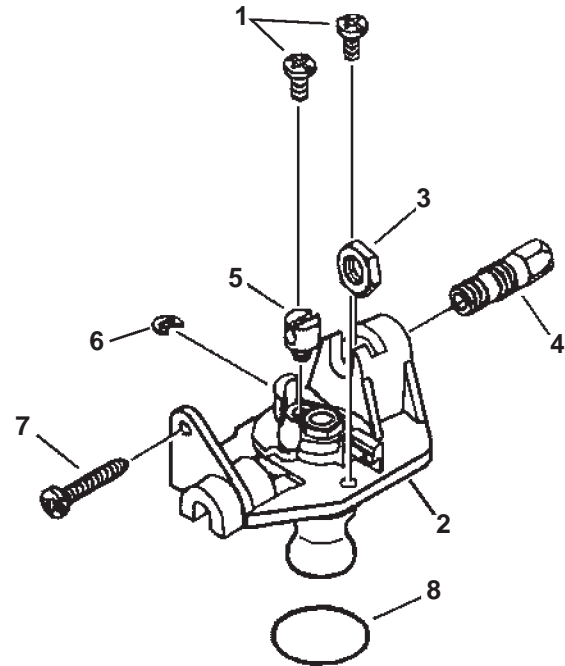
SERIAL NUMBERS: 02001001-02999999

| ITEM | PART NUMBER | QTY | DESCRIPTION | REMARKS |
|------|-------------|-----|---------------------------------|--------------------------|
| | A021000061 | 1 | CARBURETOR --RB-K57A | |
| 1 | 12534413931 | 3 | SCREW, ROTOR COVER ASY | |
| 2 | P005000360 | 1 | ROTOR COVER ASY | |
| 3 | P005000120 | 1 | NUT, CABLE | |
| 4 | P005000110 | 1 | SCREW, ADJUST | |
| 5 | P005000180 | 1 | SWIVEL | |
| 6 | P005000190 | 1 | E-RING | |
| 7 | P005000100 | 1 | THROTTLE ADJUST SCREW | |
| 8 | P005000280 | 1 | O-RING | |
| 9 | ----- | 1 | BODY, CARBURETOR | NOT AVAILABLE SEPARATELY |
| 10 | P005000290 | 1 | ROLLER, GUIDE | |
| 11 | P005000380 | 1 | JET | |
| 12 | P005000370 | 1 | PLUG KIT | |
| 13 | P005000240 | 1 | PRIMER BASE ASY | |
| 14 | P005000270 | 1 | SCREW, PRIMER BASE ASY | |
| 15 | 12538108660 | 1 | PUMP, PRIMING | |
| 16 | P005000250 | 1 | RETAINER, PRIMING PUMP | |
| 17 | P005000260 | 4 | SCREW, PRIMING PUMP RETAINER | |
| 18 | 12534252130 | 1 | COVER, METERING DIAPHRAGM | |
| 19 | 12534452130 | 2 | SCREW, METERING DIAPHRAGM COVER | |
| 20 | P005000020 | 1 | SCREW, METERING LEVER PIN | |
| 21 | P005000350 | 1 | REPAIR KIT | INCLUDES ITEMS 22-31 |
| 22 | ----- | 1 | PIN, METERING LEVER | |
| 23 | ----- | 1 | LEVER, METERING | |
| 24 | ----- | 1 | VALVE, INLET NEEDLE | |
| 25 | ----- | 1 | SPRING, METERING LEVER | |
| 26 | ----- | 1 | STRAINER | |
| 27 | ----- | 1 | DIAPHRAGM, PUMP | |
| 28 | ----- | 1 | GASKET, PUMP | |
| 29 | ----- | 1 | SURGE, DIAPHRAGM | |
| 30 | ----- | 1 | GASKET, METERING | |
| 31 | ----- | 1 | DIAPHRAGM, METERING | |
| 32 | P005000340 | 1 | DIAPHRAGM/GASKET KIT | INCLUDES ITEMS 33-37 |
| 33 | ----- | 1 | DIAPHRAGM, PUMP | |
| 34 | ----- | 1 | GASKET, PUMP | |
| 35 | ----- | 1 | SURGE, DIAPHRAGM | |
| 36 | ----- | 1 | GASKET, METERING | |
| 37 | ----- | 1 | DIAPHRAGM, METERING | |

SERIAL NUMBERS:

SRM-230: 05001001 - 05030700

SRM-231S: 06001001 - 06002682



SERIAL NUMBERS:

| | | |
|------------------|----------------------------|--|
| SRM-230: | 05001001 - 05030700 | |
| SRM-231S: | 06001001 - 06002682 | |

| ITEM | PART NUMBER | QTY | DESCRIPTION | REMARKS |
|------|-------------|-----|------------------------------|--------------------------|
| | A021000380 | 1 | CARBURETOR--RB-K66 | |
| 1 | 12534413931 | 3 | SCREW, ROTOR COVER ASY | |
| 2 | P005000690 | 1 | ROTOR COVER ASY | |
| 3 | P005000120 | 1 | NUT, CABLE | |
| 4 | P005000700 | 1 | SCREW, CABLE ADJUST | |
| 5 | P005000180 | 1 | SWIVEL | |
| 6 | P005000190 | 1 | E-RING | |
| 7 | P005000100 | 1 | SCREW, THROTTLE ADJUST | |
| 8 | P005000280 | 1 | O-RING | |
| 9 | ----- | 1 | BODY, CARBURETOR | NOT AVAILABLE SEPARATELY |
| 10 | P005000570 | 1 | JET | |
| 11 | P005000370 | 1 | PLUG KIT | |
| 12 | P005000530 | 1 | PRIMER BASE ASY | |
| 13 | P005000270 | 1 | SCREW, PRIMER BASE ASY | |
| 14 | 12538108660 | 1 | PUMP, PRIMING | |
| 15 | P005000250 | 1 | RETAINER, PRIMING PUMP | |
| 16 | 12531061830 | 4 | SCREW, PRIMING PUMP RETAINER | |
| 17 | 12534252130 | 1 | COVER, DIAPHRAGM | |
| 18 | 12534452130 | 2 | SCREW, DIAPHRAGM COVER | |
| 19 | 12533942030 | 1 | SCREW, METERING LEVER PIN | |

SRM-230 SERIAL NUMBERS: 05001001 - 05004893

SRM-231S SERIAL NUMBERS: 06001001 - 06001393

| | | | | |
|----|------------|---|---------------|--|
| 20 | P005000560 | 1 | REPAIR KIT | INCLUDES: P005000290 - ROLLER, GUIDE & ITEMS 22-30 |
| 21 | P005000290 | 1 | ROLLER, GUIDE | |

SRM-230 SERIAL NUMBERS: 05004894 - 05030700

SRM-231S SERIAL NUMBERS: 06001394 - 06002682

| | | | | |
|----|------------|---|---------------|--|
| 20 | P005000950 | 1 | REPAIR KIT | INCLUDES: P005001000 - ROLLER, GUIDE & ITEMS 22-30 |
| 21 | P005001000 | 1 | ROLLER, GUIDE | |

| | | | | |
|----|------------|---|------------------------|----------------------|
| 22 | ----- | 1 | PIN, METERING LEVER | |
| 23 | ----- | 1 | LEVER, METERING | |
| 24 | ----- | 1 | VALVE, INLET NEEDLE | |
| 25 | ----- | 1 | SPRING, METERING LEVER | |
| 26 | ----- | 1 | STRAINER | |
| 27 | ----- | 1 | DIAPHRAGM, PUMP | |
| 28 | ----- | 1 | GASKET, PUMP | |
| 29 | ----- | 1 | GASKET, METERING | |
| 30 | ----- | 1 | DIAPHRAGM, METERING | |
| 31 | P005000550 | 1 | DIAPHRAGM/GASKET KIT | INCLUDES ITEMS 32-35 |
| 32 | ----- | 1 | DIAPHRAGM, PUMP | |
| 33 | ----- | 1 | GASKET, PUMP | |
| 34 | ----- | 1 | GASKET, METERING | |
| 35 | ----- | 1 | DIAPHRAGM, METERING | |

SRM-230, 231S

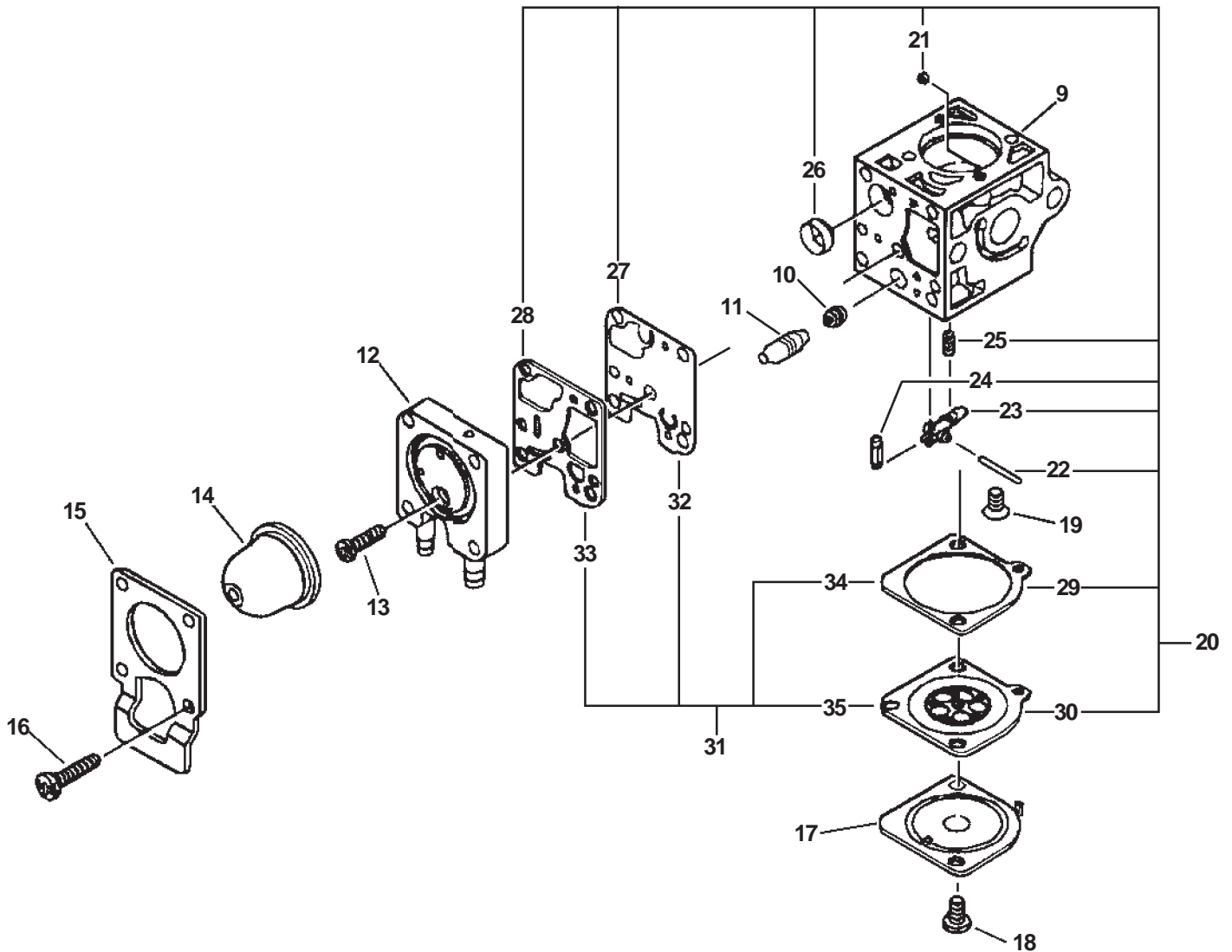
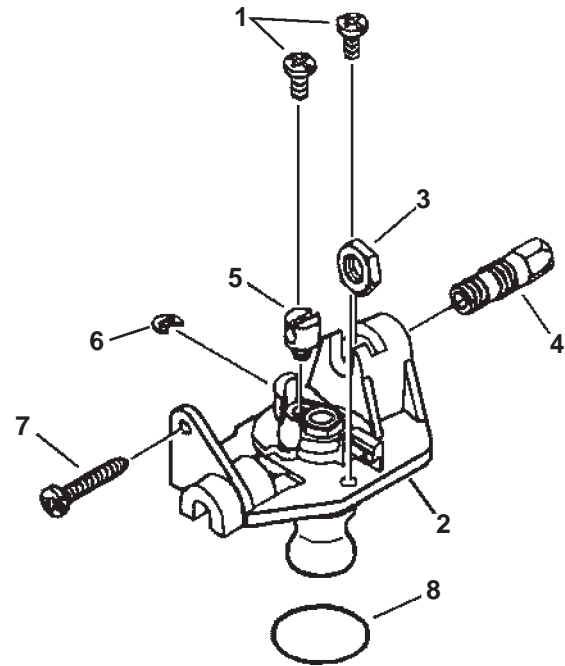
CARBURETOR--RB-K66B

SERIAL NUMBERS:

SRM-230: 05030701 - 05089969

SRM-230: 07001001 - 07002260

SRM-231S: 06002683 - 06003383



| SERIAL NUMBERS: | | SERIAL NUMBERS: | |
|------------------------|----------------------------|------------------------|----------------------------|
| SRM-230: | 05030701 - 05089969 | SRM-231S: | 06002683 - 06003383 |
| SRM-230: | 07001001 - 07002260 | | |

| ITEM | PART NUMBER | QTY | DESCRIPTION | REMARKS |
|-------------|--------------------|------------|------------------------------|---|
| | A021000382 | 1 | CARBURETOR -- RB-K66B | SUPERSEDES: A021000381 CARBURETOR -- RB-K66A |
| 1 | 12534413931 | 3 | SCREW, ROTOR COVER ASY | |
| 2 | P005000690 | 1 | ROTOR COVER ASY | |
| 3 | P005000120 | 1 | NUT, CABLE | |
| 4 | P005000700 | 1 | SCREW, CABLE ADJUST | |
| 5 | P005000180 | 1 | SWIVEL | |
| 6 | P005000190 | 1 | E-RING | |
| 7 | P005000100 | 1 | SCREW, THROTTLE ADJUST | |
| 8 | P005000280 | 1 | O-RING | |
| 9 | ----- | 1 | BODY, CARBURETOR | NOT AVAILABLE SEPARATELY |
| 10 | P005000570 | 1 | JET | |
| 11 | P005000370 | 1 | PLUG KIT | |
| 12 | P005000930 | 1 | PRIMER BASE ASY | |
| 13 | P005000270 | 1 | SCREW, PRIMER BASE ASY | |
| 14 | 12538108660 | 1 | PUMP, PRIMING | |
| 15 | P005000250 | 1 | RETAINER, PRIMING PUMP | |
| 16 | 12531061830 | 4 | SCREW, PRIMING PUMP RETAINER | |
| 17 | 12534252130 | 1 | COVER, DIAPHRAGM | |
| 18 | 12534452130 | 2 | SCREW, DIAPHRAGM COVER | |
| 19 | 12533942030 | 1 | SCREW, METERING LEVER PIN | |
| 20 | P005000950 | 1 | REPAIR KIT | INCLUDES ITEMS 21-30 |
| 21 | P005001000 | 1 | ROLLER, GUIDE | |
| 22 | ----- | 1 | PIN, METERING LEVER | |
| 23 | ----- | 1 | LEVER, METERING | |
| 24 | ----- | 1 | VALVE, INLET NEEDLE | |
| 25 | ----- | 1 | SPRING, METERING LEVER | |
| 26 | ----- | 1 | STRAINER | |
| 27 | ----- | 1 | DIAPHRAGM, PUMP | |
| 28 | ----- | 1 | GASKET, PUMP | |
| 29 | ----- | 1 | GASKET, METERING | |
| 30 | ----- | 1 | DIAPHRAGM, METERING | |
| 31 | P005000550 | 1 | DIAPHRAGM/GASKET KIT | INCLUDES ITEMS 32-35 |
| 32 | ----- | 1 | DIAPHRAGM, PUMP | |
| 33 | ----- | 1 | GASKET, PUMP | |
| 34 | ----- | 1 | GASKET, METERING | |
| 35 | ----- | 1 | DIAPHRAGM, METERING | |

SERIAL NUMBERS:

SRM-230S: 05001001 - 05011952

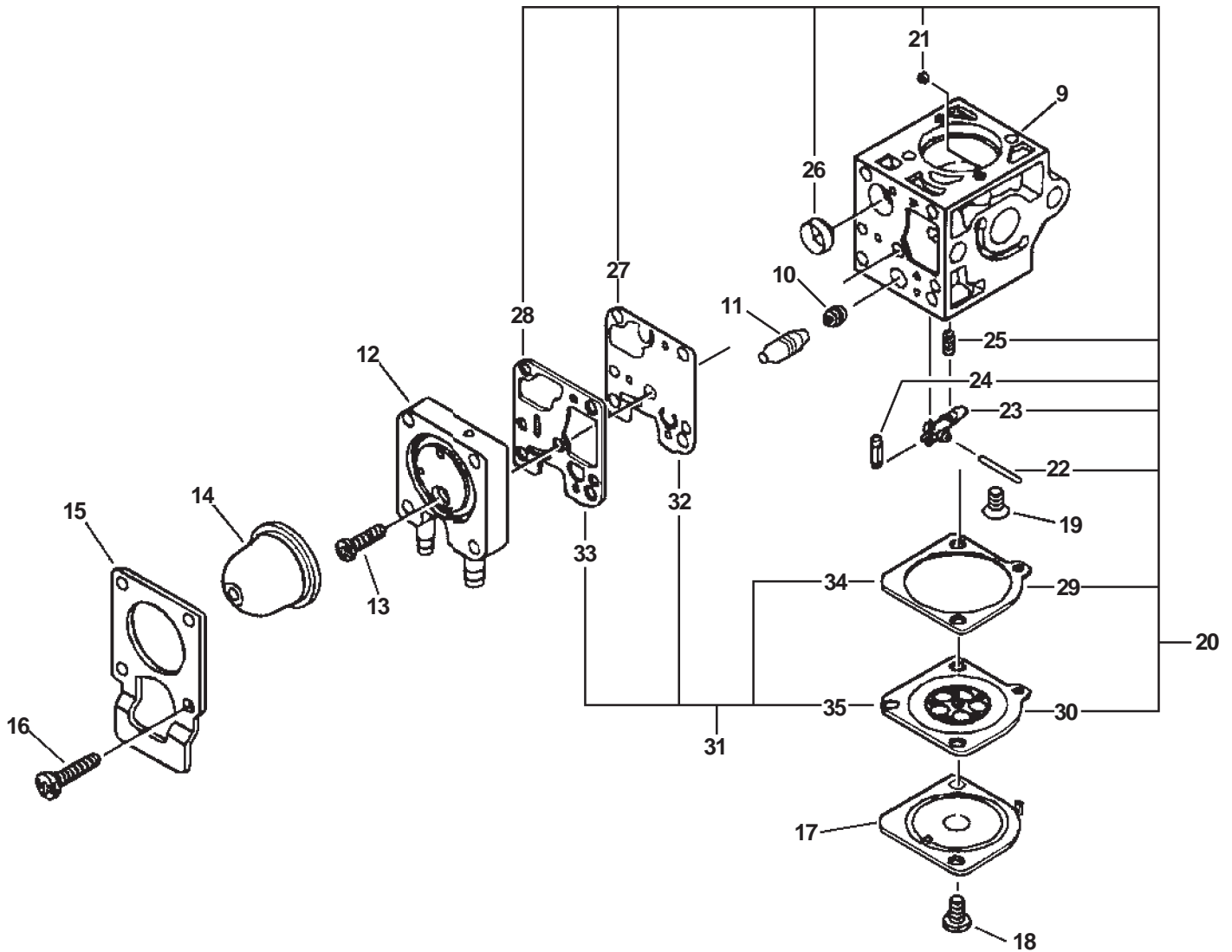
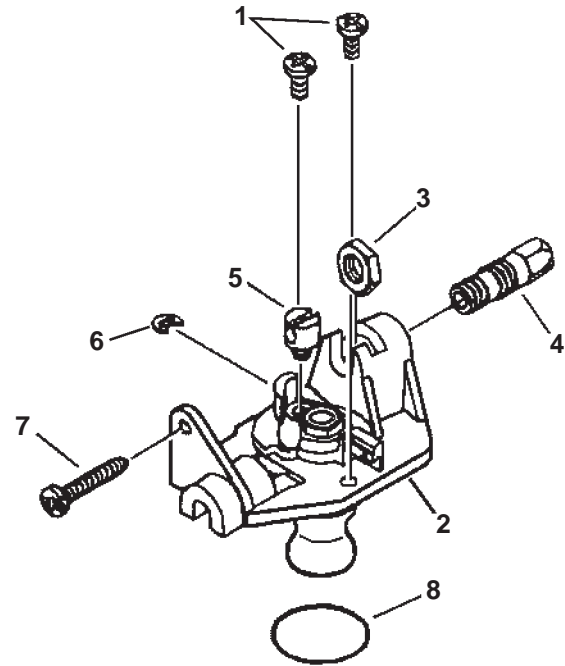
SRM-230S: 07001001 - 07001732

SRM-230U: 05001001 - 05002623

SRM-230U: 07001001 - 07001274

SRM-231: 06001001 - 06011856

SRM-231U: 06001001 - 06001225

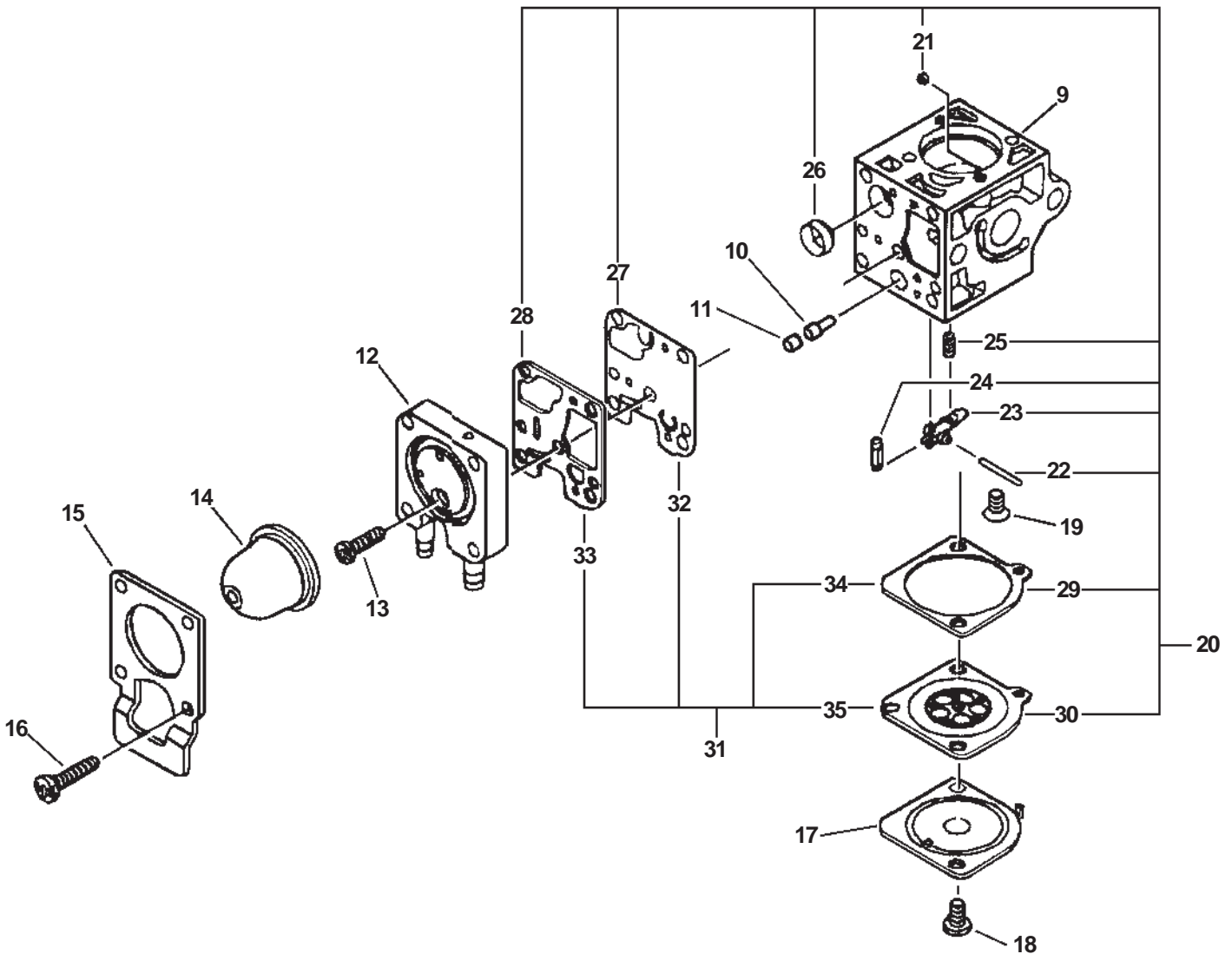
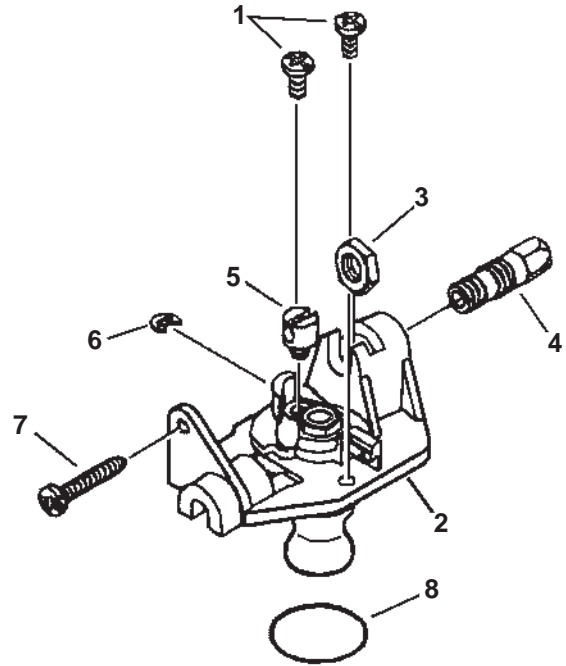


| SERIAL NUMBERS: | SERIAL NUMBERS: |
|--------------------------------------|--------------------------------------|
| SRM-230S: 05001001 - 05011952 | SRM-230U: 07001001 - 07001274 |
| SRM-230S: 07001001 - 07001732 | SRM-231: 06001001 - 06011856 |
| SRM-230U: 05001001 - 05002623 | SRM-231U: 06001001 - 06001225 |

| ITEM | PART NUMBER | QTY | DESCRIPTION | REMARKS |
|-------------|--------------------|------------|------------------------------|--|
| | A021000382 | 1 | CARBURETOR--RB-K66B | SUPERSEDES: A021000380 CARBURETOR -- RB-K66 A021000381 CARBURETOR -- RB-K66A |
| 1 | 12534413931 | 3 | SCREW, ROTOR COVER ASY | |
| 2 | P005000690 | 1 | ROTOR COVER ASY | |
| 3 | P005000120 | 1 | NUT, CABLE | |
| 4 | P005000700 | 1 | SCREW, CABLE ADJUST | |
| 5 | P005000180 | 1 | SWIVEL | |
| 6 | P005000190 | 1 | E-RING | |
| 7 | P005000100 | 1 | SCREW, THROTTLE ADJUST | |
| 8 | P005000280 | 1 | O-RING | |
| 9 | ----- | 1 | BODY, CARBURETOR | NOT AVAILABLE SEPARATELY |
| 10 | P005000570 | 1 | JET | |
| 11 | P005000370 | 1 | PLUG KIT | |
| 12 | P005000930 | 1 | PRIMER BASE ASY | |
| 13 | P005000270 | 1 | SCREW, PRIMER BASE ASY | |
| 14 | 12538108660 | 1 | PUMP, PRIMING | |
| 15 | P005000250 | 1 | RETAINER, PRIMING PUMP | |
| 16 | 12531061830 | 4 | SCREW, PRIMING PUMP RETAINER | |
| 17 | 12534252130 | 1 | COVER, DIAPHRAGM | |
| 18 | 12534452130 | 2 | SCREW, DIAPHRAGM COVER | |
| 19 | 12533942030 | 1 | SCREW, METERING LEVER PIN | |
| 20 | P005000950 | 1 | REPAIR KIT | INCLUDES ITEMS 21-30 |
| 21 | P005001000 | 1 | ROLLER, GUIDE | |
| 22 | ----- | 1 | PIN, METERING LEVER | |
| 23 | ----- | 1 | LEVER, METERING | |
| 24 | ----- | 1 | VALVE, INLET NEEDLE | |
| 25 | ----- | 1 | SPRING, METERING LEVER | |
| 26 | ----- | 1 | STRAINER | |
| 27 | ----- | 1 | DIAPHRAGM, PUMP | |
| 28 | ----- | 1 | GASKET, PUMP | |
| 29 | ----- | 1 | GASKET, METERING | |
| 30 | ----- | 1 | DIAPHRAGM, METERING | |
| 31 | P005000550 | 1 | DIAPHRAGM/GASKET KIT | INCLUDES ITEMS 32-35 |
| 32 | ----- | 1 | DIAPHRAGM, PUMP | |
| 33 | ----- | 1 | GASKET, PUMP | |
| 34 | ----- | 1 | GASKET, METERING | |
| 35 | ----- | 1 | DIAPHRAGM, METERING | |

SERIAL NUMBERS:

- SRM-230: 05089970 - 05118990
- SRM-230: 07002261 - 07002288
- SRM-230S: 05011953 - 05013568
- SRM-230U: 05002624 - 05002764
- SRM-231: 06011857 - 06015096
- SRM-231S: 06003384 - 06003440



SRM-230, 230S, 230U, 231, 231S

CARBURETOR--RB-K70

| SERIAL NUMBERS: | | SERIAL NUMBERS: | |
|-----------------|---------------------|-----------------|---------------------|
| SRM-230: | 05089970 - 05118990 | SRM-230U: | 05002624 - 05002764 |
| SRM-230: | 07002261 - 07002288 | SRM-231: | 06011857 - 06015096 |
| SRM-230S: | 05011953 - 05013568 | SRM-231S: | 06003384 - 06003440 |

| ITEM | PART NUMBER | QTY | DESCRIPTION | REMARKS |
|------|-------------|-----|------------------------------|--------------------------|
| | A021000720 | 1 | CARBURETOR--RB-K70 | |
| 1 | 12534413931 | 3 | SCREW, ROTOR COVER ASY | |
| 2 | P005001230 | 1 | ROTOR COVER ASY | |
| 3 | P005000120 | 1 | NUT, CABLE | |
| 4 | P005000700 | 1 | SCREW, CABLE ADJUST | |
| 5 | P005001240 | 1 | SWIVEL | |
| 6 | P005000190 | 1 | E-RING | |
| 7 | P005000100 | 1 | SCREW, THROTTLE ADJUST | |
| 8 | P005000280 | 1 | O-RING | |
| 9 | ----- | 1 | BODY, CARBURETOR | NOT AVAILABLE SEPARATELY |
| 10 | P005001260 | 1 | NEEDLE - HIGH SPEED | |
| 11 | P005001270 | 1 | PLUG | |
| 12 | P005000930 | 1 | PRIMER BASE ASY | |
| 13 | P005000270 | 1 | SCREW, PRIMER BASE ASY | |
| 14 | 12538108660 | 1 | PUMP, PRIMING | |
| 15 | P005000250 | 1 | RETAINER, PRIMING PUMP | |
| 16 | 12531061830 | 4 | SCREW, PRIMING PUMP RETAINER | |
| 17 | 12534252130 | 1 | COVER, DIAPHRAGM | |
| 18 | 12534452130 | 2 | SCREW, DIAPHRAGM COVER | |
| 19 | 12533942030 | 1 | SCREW, METERING LEVER PIN | |
| 20 | P005000950 | 1 | REPAIR KIT | INCLUDES ITEMS 21-30 |
| 21 | P005001000 | 1 | ROLLER, GUIDE | |
| 22 | ----- | 1 | PIN, METERING LEVER | |
| 23 | ----- | 1 | LEVER, METERING | |
| 24 | ----- | 1 | VALVE, INLET NEEDLE | |
| 25 | ----- | 1 | SPRING, METERING LEVER | |
| 26 | ----- | 1 | STRAINER | |
| 27 | ----- | 1 | DIAPHRAGM, PUMP | |
| 28 | ----- | 1 | GASKET, PUMP | |
| 29 | ----- | 1 | GASKET, METERING | |
| 30 | ----- | 1 | DIAPHRAGM, METERING | |
| 31 | P005000550 | 1 | DIAPHRAGM/GASKET KIT | INCLUDES ITEMS 32-35 |
| 32 | ----- | 1 | DIAPHRAGM, PUMP | |
| 33 | ----- | 1 | GASKET, PUMP | |
| 34 | ----- | 1 | GASKET, METERING | |
| 35 | ----- | 1 | DIAPHRAGM, METERING | |

SERIAL NUMBERS:

SRM-230: 05118991 - 06999999

SRM-230: 07002289 - 07999999

SRM-230S: 05013569 - 06999999

SRM-230S: 07001733 - 07999999

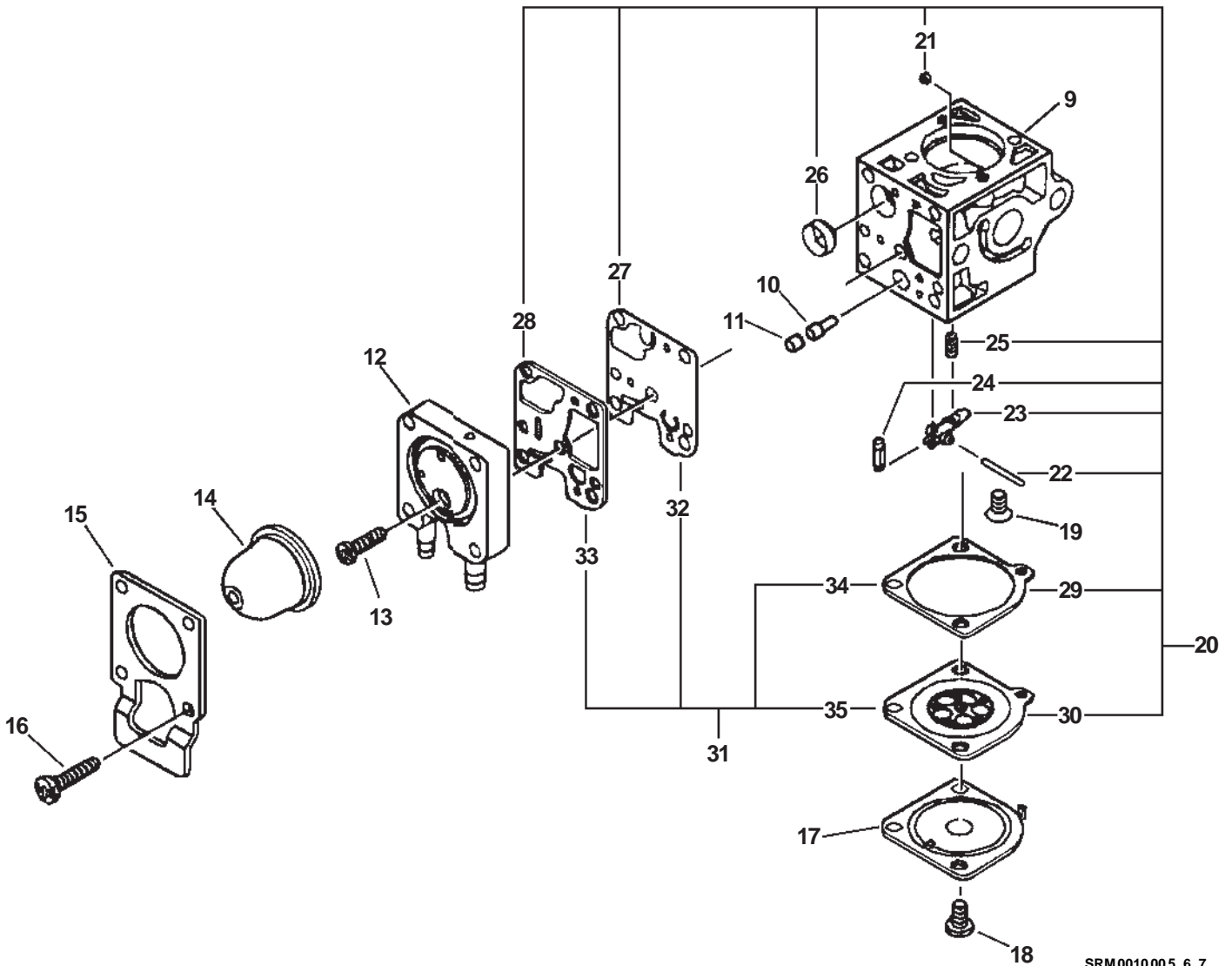
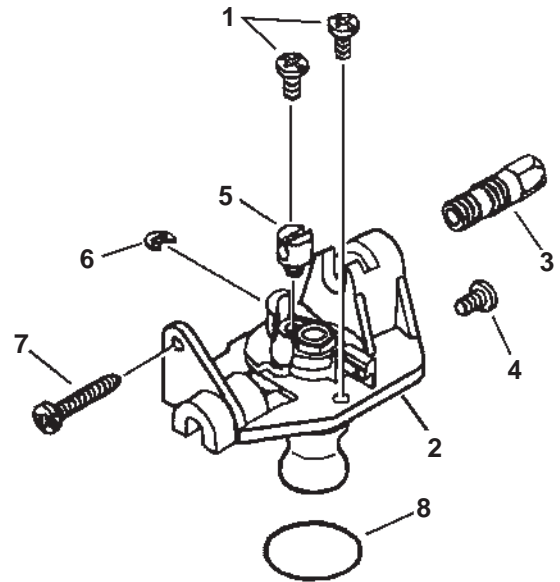
SRM-230U: 05002765 - 06999999

SRM-230U: 07001275 - 07999999

SRM-231: 06015097 - 06999999

SRM-231S: 06003441 - 06999999

SRM-231U: 06001226 - 06999999



SRM-230, 230S, 230U, 231, 231S, 231U

CARBURETOR--RB-K70A

| SERIAL NUMBERS: | SERIAL NUMBERS: |
|-------------------------------|-------------------------------|
| SRM-230: 05118991 - 06999999 | SRM-230U: 07001275 - 07999999 |
| SRM-230: 07002289 - 07999999 | SRM-231: 06015097 - 06999999 |
| SRM-230S: 05013569 - 06999999 | SRM-231S: 06003441 - 06999999 |
| SRM-230S: 07001733 - 07999999 | SRM-231U: 06001226 - 06999999 |
| SRM-230U: 05002765 - 06999999 | |

| ITEM | PART NUMBER | QTY | DESCRIPTION | REMARKS |
|------|-------------|-----|------------------------------|--------------------------|
| | A021000721 | 1 | CARBURETOR--RB-K70A | |
| 1 | 12534413931 | 3 | SCREW, ROTOR COVER ASY | |
| 2 | P005001620 | 1 | ROTOR COVER ASY | |
| 3 | P005001330 | 1 | SCREW, CABLE ADJUST | |
| 4 | 12534452130 | 1 | SCREW, ROTOR COVER | |
| 5 | P005001240 | 1 | SWIVEL | |
| 6 | P005000190 | 1 | E-RING | |
| 7 | P005000100 | 1 | SCREW, THROTTLE ADJUST | |
| 8 | P005000280 | 1 | O-RING | |
| 9 | ----- | 1 | BODY, CARBURETOR | NOT AVAILABLE SEPARATELY |
| 10 | P005001260 | 1 | NEEDLE - HIGH SPEED | |
| 11 | P005001270 | 1 | PLUG | |
| 12 | P005000930 | 1 | PRIMER BASE ASY | |
| 13 | P005000270 | 1 | SCREW, PRIMER BASE ASY | |
| 14 | 12538108660 | 1 | PUMP, PRIMING | |
| 15 | P005000250 | 1 | RETAINER, PRIMING PUMP | |
| 16 | 12531061830 | 4 | SCREW, PRIMING PUMP RETAINER | |
| 17 | 12534252130 | 1 | COVER, DIAPHRAGM | |
| 18 | 12534452130 | 2 | SCREW, DIAPHRAGM COVER | |
| 19 | 12533942030 | 1 | SCREW, METERING LEVER PIN | |
| 20 | P005000950 | 1 | REPAIR KIT | INCLUDES ITEMS 21-30 |
| 21 | P005001000 | 1 | ROLLER, GUIDE | |
| 22 | ----- | 1 | PIN, METERING ARM | |
| 23 | ----- | 1 | LEVER, METERING | |
| 24 | ----- | 1 | VALVE, INLET NEEDLE | |
| 25 | ----- | 1 | SPRING | |
| 26 | ----- | 1 | STRAINER | |
| 27 | ----- | 1 | DIAPHRAGM, PUMP | |
| 28 | ----- | 1 | GASKET, PUMP | |
| 29 | ----- | 1 | GASKET, METERING | |
| 30 | ----- | 1 | DIAPHRAGM, METERING | |
| 31 | P005000550 | 1 | DIAPHRAGM/GASKET KIT | INCLUDES ITEMS 32-35 |
| 32 | ----- | 1 | DIAPHRAGM, PUMP | |
| 33 | ----- | 1 | GASKET, PUMP | |
| 34 | ----- | 1 | GASKET, METERING | |
| 35 | ----- | 1 | DIAPHRAGM, METERING | |