



**AVAILABLE ATTACHMENTS & ACCESSORIES**

215511	PRO MAXI-CUT HEAD
21560050	ECHOMATIC HEAD
21560055	UNIVERSAL TRIMMER HEAD
21560056	RAPID LOADER 2 LINE HEAD
21560060	SRM MANUAL DUAL LINE HEAD
69500120331	8" 80 TOOTH BRUSH BLADE
69600120331	8" 8 TOOTH BLADE
99944200001	iSTART ACCESSORY KIT
99944200030	TRI-CUT BLADE
99944200035	TRI-CUT BLADE WITH GLIDE CUP
99944200047	3 CUTTER METAL BLADE
99944200130	22 TOOTH CLEARING SAW BLADE
99944200200	SHOULDER STRAP KIT
99944200230	SEMI-AUTO DUAL LINE HEAD
99944200415	UNIVERSAL BLADE CONVERSION KIT
99944200411	20mm BLADE CONVERSION KIT
99944200455	BARRIER BAR
SRAC-200	TILLER/CULTIVATOR ATTACHMENT

**SERIAL NUMBERS: 020010010-02999999 ONLY**

35130454130	OFFSET U-HANDLE KIT
99944200451	OFFSET U-HANDLE/BLADE KIT

**SERIAL NUMBERS: 05001001-10999999 ONLY**

35130454230	OFFSET U-HANDLE KIT
99944200521	OFFSET U-HANDLE/BLADE KIT
99944200761	OFFSET U-HANDLE/BLADE KIT

**SB ATTACHMENTS (SB MODELS ONLY)**

99944200470	EDGER ATTACHMENT
99944200480	HEDGE CLIPPER ATTACHMENT
99944200510	CULTIVATOR ATTACHMENT
99944200530	POWER PRUNER ATTACHMENT
99944200540	TRIMMER ATTACHMENT
99944200590	ARTICULATING HEDGE CLIPPER ATTCH
99944200600	80 TOOTH BLADE TRIMMER ATTCH
99944200610	PRO RAPID LOADER ATTACHMENT

**PARTS CATALOG**

**TRIMMER/BRUSH CUTTER**

**21.2cc**

**MODEL: SERIAL NUMBERS**

---

<b>SRM-210:</b>	05001001-05999999
	07001001-07999999
	08001001-08999999
	10001001-10999999

---

<b>SRM-210 <i>i</i>™:</b>	05001001-05999999
	07001001-07999999
	08001001-08999999
	10001001-10999999

---

<b>SRM-210SB:</b>	05001001-05999999
	07001001-07999999
	08001001-08999999
	09001001-09999999
	10001001-10999999

---

<b>SRM-210U:</b>	05001001-05999999
	07001001-07999999
	08001001-08999999
	09001001-09999999
	10001001-10999999

---

<b>SRM-211:</b>	02001001-02999999
	06001001-06999999
	09001001-09999999

---

<b>SRM-211 <i>i</i>™:</b>	06001001-06999999
	09001001-09999999

---

<b>SRM-211SB:</b>	02001001-02999999
	06001001-06999999
	09001001-09999999

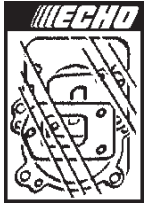
---

<b>SRM-211U:</b>	02001001-02999999
	06001001-06999999
	09001001-09999999

---

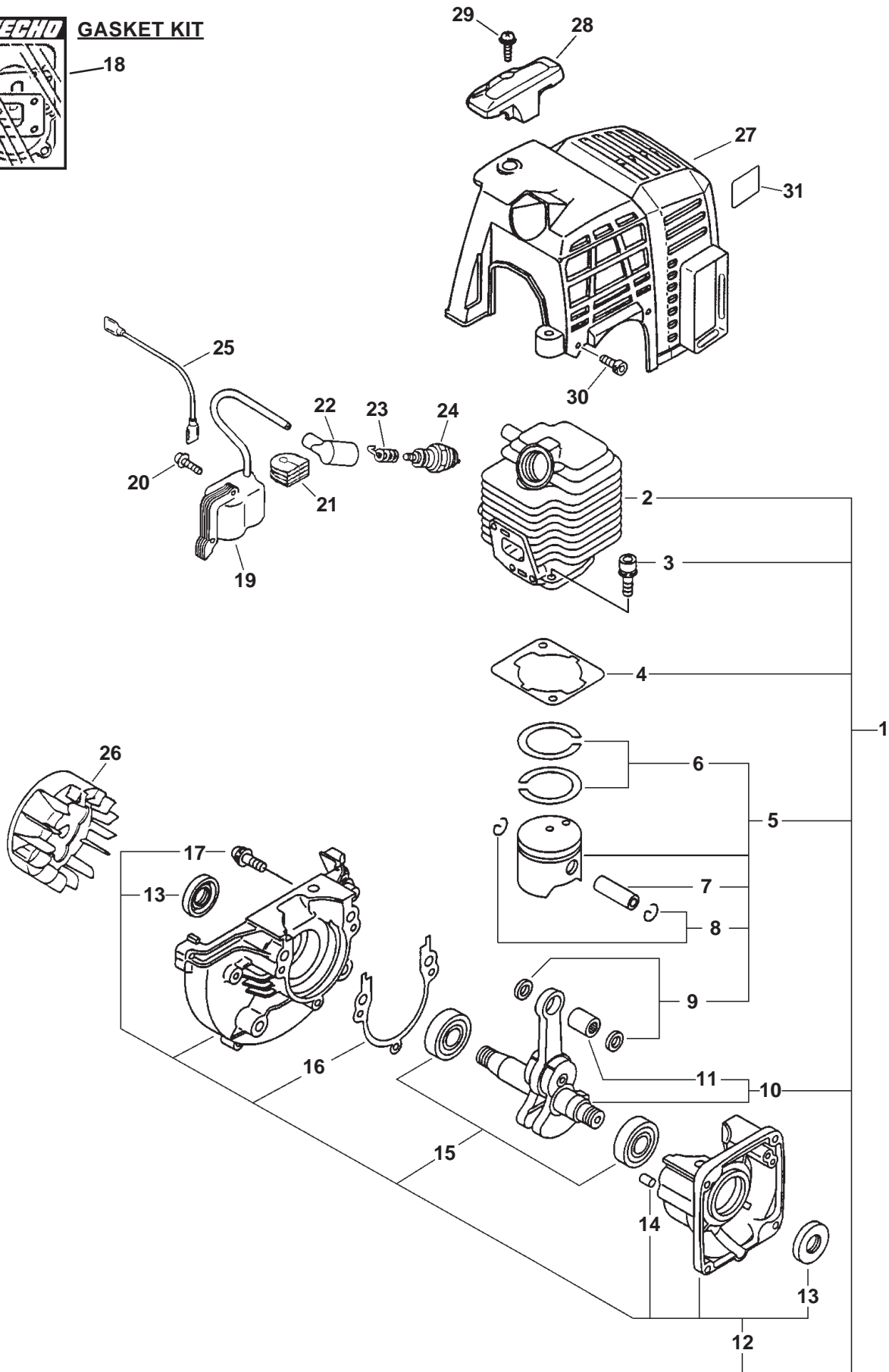
**ECHO, INCORPORATED**  
400 Oakwood Road Lake Zurich, Illinois 60047

WWW.ECHO-USA.COM



**GASKET KIT**

18



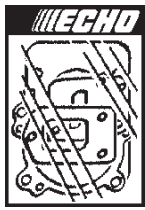
**SERIAL NUMBERS: 02001001-02999999**

ITEM	PART NUMBER	QTY	DESCRIPTION	REMARKS
<u>OPTIONAL ENGINE REPOWER</u>				
1	SB1048	1	SHORT BLOCK	INCLUDES ITEMS 2-17
2	A130000091	1	CYLINDER	
3	90016205022	2	BOLT 5X22	
★ 4	V100000020	1	GASKET, CYLINDER	
5	P021001101	1	PISTON KIT	INCLUDES ITEMS 6-9
6	A101000000	2	RING, PISTON	
7	10001311520	1	PIN, PISTON	
8	10001504630	2	CIRCLIP, PISTON PIN	
9	10001411520	2	SPACER, PISTON PIN	
10	A011000101	1	CRANKSHAFT ASY	INCLUDES ITEM 11
11	V553000010	1	BEARING, NEEDLE	
12	10020452130	1	CRANKCASE KIT	INCLUDES ITEMS 13-17
13	10021242031	2	OIL SEAL	
14	10021503930	2	DOWEL PIN	
15	9403536201	2	BEARING, BALL 6201	
★ 16	10024242030	1	GASKET, CRANKCASE	
17	90016205028	3	BOLT 5X28	

★ Also Included In GASKET KIT

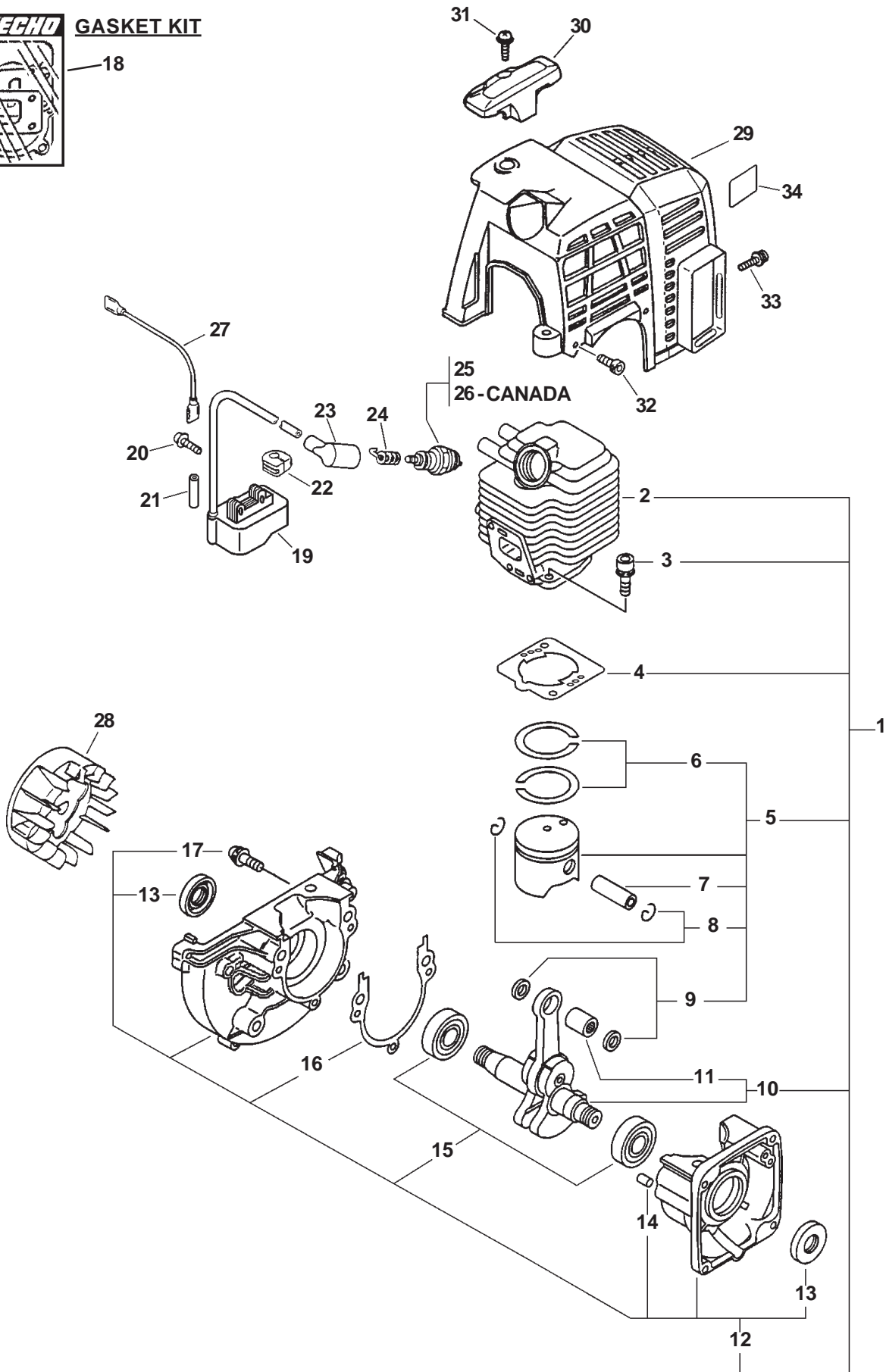
18	P021001591	1	GASKET KIT	
19	15660152130	1	COIL, IGNITION	
20	90016204022	2	BOLT 4X22	
21	15611240630	1	BUSHING	
22	15901201620	1	CAP, SPARK PLUG	
23	15901103432	1	TERMINAL, SPARK PLUG CAP	
24	15901010630	1	SPARK PLUG -- BPM-7A	
25	16201052830	1	LEAD, GROUND	
26	A409000000	1	FLYWHEEL	
27	A160000180	1	COVER, CYLINDER	
28	15991254130	1	GUARD, TOP	
29	90023805016	1	SCREW	
30	90016304016	2	BOLT 4X16	
31	89016006361	1	LABEL, CAUTION - HOT	

SERIAL NUMBERS: 05001001-07999999



**GASKET KIT**

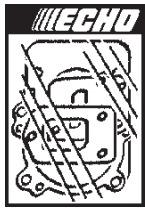
18



**SERIAL NUMBERS: 05001001-07999999**

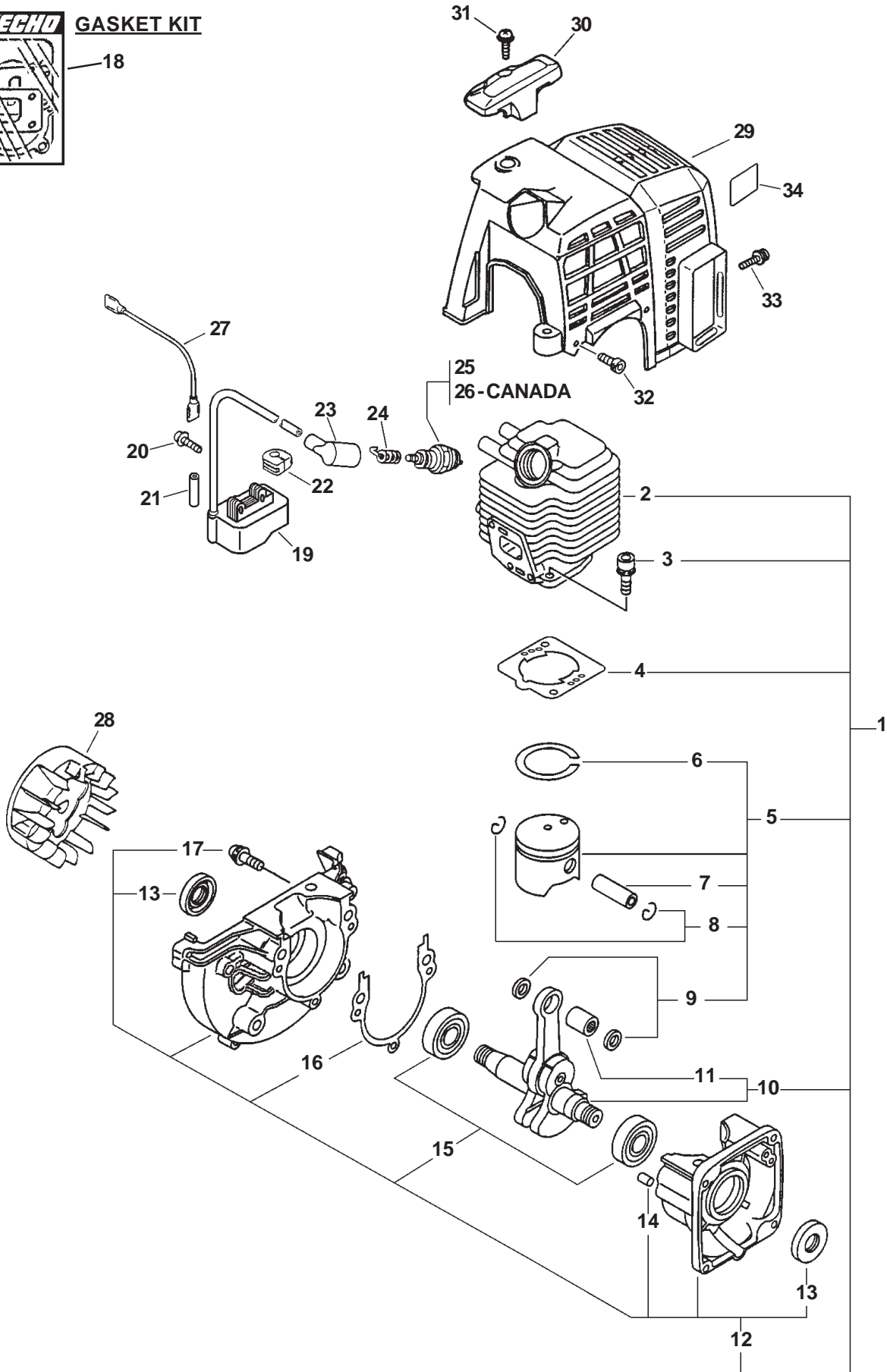
ITEM	PART NUMBER	QTY	DESCRIPTION	REMARKS
<u>OPTIONAL ENGINE REPOWER</u>				
1	SB1065	1	SHORT BLOCK	INCLUDES ITEMS 2-17
2	A130000430	1	CYLINDER	
3	90016205022	2	BOLT 5X22	
★ 4	V100000080	1	GASKET, CYLINDER	
5	P021001101	1	PISTON KIT	INCLUDES ITEMS 6-9
6	A101000000	2	RING, PISTON	
7	10001311520	1	PIN, PISTON	
8	10001504630	2	CIRCLIP, PISTON PIN	
9	10001411520	2	SPACER, PISTON PIN	
10	A011000101	1	CRANKSHAFT ASY	INCLUDES ITEM 11
11	V553000010	1	BEARING, NEEDLE	
12	10020452130	1	CRANKCASE KIT	INCLUDES ITEMS 13-17
13	10021242031	2	OIL SEAL	
14	10021503930	2	DOWEL PIN	
15	9403536201	2	BEARING, BALL 6201	
★ 16	10024242030	1	GASKET, CRANKCASE	
17	90016205028	3	BOLT 5X28	
★ Also Included In GASKET KIT				
18	P021004270	1	GASKET KIT	
19	A411000140	1	COIL, IGNITION	
20	90016204020	2	BOLT 4X20	
21	15611054930	1	TUBE	
22	15611240630	1	BUSHING	
23	15901201620	1	CAP, SPARK PLUG	
24	15901103432	1	TERMINAL, SPARK PLUG CAP	
25	15901019830	1	SPARK PLUG -- BPM-8Y	
26	A425000000	1	SPARK PLUG -- BPMR-8Y	CANADA MODELS: 07001001-07999999
27	16201052830	1	LEAD, GROUND	
28	A409000160	1	FLYWHEEL	
29	A160000181	1	COVER, CYLINDER	
30	A162000050	1	GUARD, TOP	
31	90023805016	1	SCREW	
32	90016304016	2	BOLT 4X16	
33	9110704008	1	SCREW	
34	89016006361	1	LABEL, CAUTION - HOT	

SERIAL NUMBERS: 08001001-10999999



**GASKET KIT**

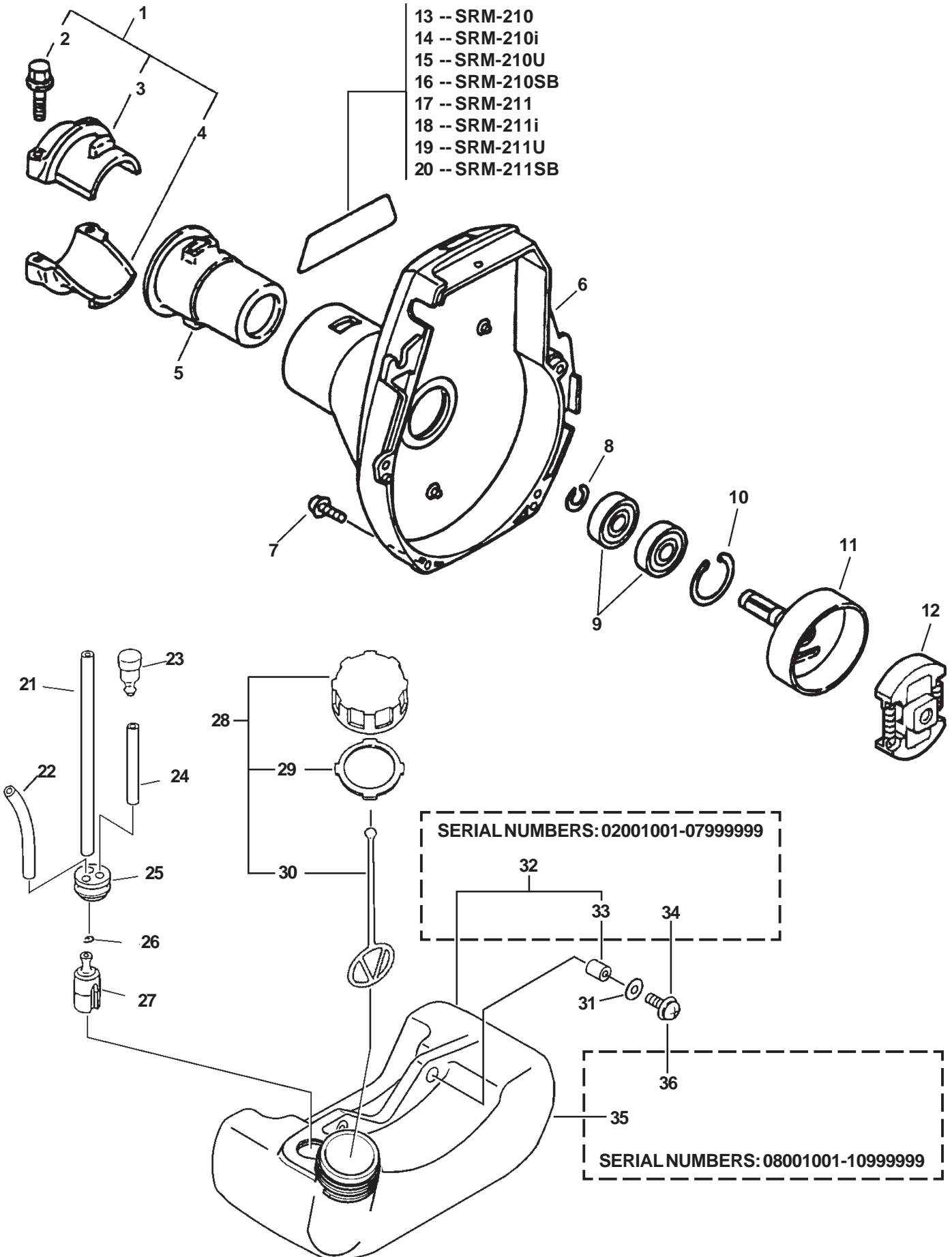
18



**SERIAL NUMBERS: 08001001-10999999**

ITEM	PART NUMBER	QTY	DESCRIPTION	REMARKS
<u>OPTIONAL ENGINE REPOWER</u>				
1	SB1072	1	SHORT BLOCK	INCLUDES ITEMS 2-17
2	A130000540	1	CYLINDER	
3	90016205022	2	BOLT 5X22	
★ 4	V100000160	1	GASKET, CYLINDER	
5	P021007712	1	PISTON KIT	INCLUDES ITEMS 6-9
6	A101000090	1	RING, PISTON	
7	10001311520	1	PIN, PISTON	
8	10001504630	2	CIRCLIP, PISTON PIN	
9	10001411520	2	SPACER, PISTON PIN	
10	A011000101	1	CRANKSHAFT ASY	INCLUDES ITEM 11
11	V553000010	1	BEARING, NEEDLE	
12	10020452131	1	CRANKCASE KIT	INCLUDES ITEMS 13-17
13	10021242031	2	OIL SEAL	
14	10021503930	2	DOWEL PIN	
15	9403536201	2	BEARING, BALL 6201	
★ 16	10024242030	1	GASKET, CRANKCASE	
17	90016205028	3	BOLT 5X28	
★ Also Included In GASKET KIT				
18	P021008260	1	GASKET KIT	
19	A411000140	1	COIL, IGNITION	
20	90016204020	2	BOLT 4X20	
21	15611054930	1	TUBE	
22	15611240630	1	BUSHING	
23	15901201620	1	CAP, SPARK PLUG	
24	15901103432	1	TERMINAL, SPARK PLUG CAP	
25	15901019830	1	PLUG, SPARK -- BPM-8Y	
26	A425000000	1	SPARK PLUG -- BPMR-8Y	CANADA MODELS: 10001001-10999999
27	16201052830	1	LEAD, GROUND	
28	A409000210	1	FLYWHEEL	
29	A160000570	1	COVER, CYLINDER	
30	A162000050	1	GUARD, TOP	
31	90023805016	1	SCREW	
32	90016304016	2	BOLT 4X16	
33	9110704008	1	SCREW	
34	89016006361	1	LABEL, CAUTION - HOT	

**SERIAL NUMBERS: ALL**

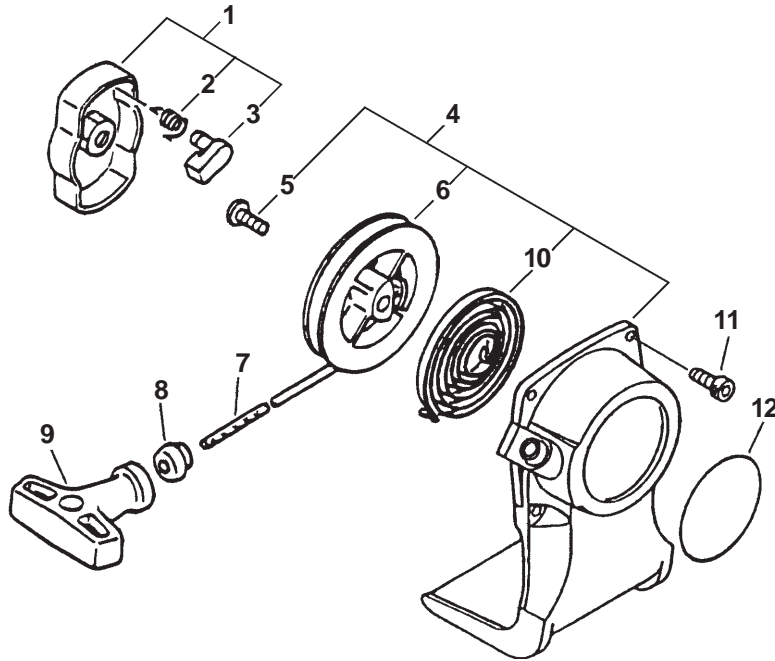




**SERIAL NUMBERS: ALL**

ITEM	PART NUMBER	QTY	DESCRIPTION	REMARKS
1	61090355230	1	HOLDER KIT	INCLUDES ITEMS 2-4
2	90014205025	2	BOLT 5X25	
3	61092227432	1	HOLDER	
4	61092355230	1	HOLDER	
5	61091055230	1	CUSHION	
6	10150352131	1	FAN COVER ASY	
7	90016304016	4	BOLT	
8	90070100012	1	CIRCLIP 12	
9	90080796001	2	BEARING, BALL 6000	
10	90070200028	1	CIRCLIP 28	
11	17500548931	1	DRUM, CLUTCH	
12	17500056830	1	CLUTCH ASY	
13	X543000170	1	LABEL, MODEL -- SRM-210	
14	X543000320	1	LABEL, MODEL -- SRM-210i	
15	X543000190	1	LABEL, MODEL -- SRM-210U	
16	X543000180	1	LABEL, MODEL -- SRM-210SB	
17	X503001290	1	LABEL, MODEL -- SRM-211	
18	X543000330	1	LABEL, MODEL -- SRM-211i	
19	X503001690	1	LABEL, MODEL -- SRM-211U	
20	X503001580	1	LABEL, MODEL -- SRM-211SB	
21	13201013930	1	PIPE, FUEL - 3X5X180mm	BULK OPTION: 90014
22	13201056330	1	PIPE, RETURN - 3X6X90mm	BULK OPTION: 90017
23	A356000030	1	VALVE, CHECK	
24	13131239130	1	PIPE, VENT - 3X5X70mm	BULK OPTION: 90014
25	V137000030	1	GROMMET, FUEL	
26	13201309820	1	CLIP	
27	13120507320	1	STRAINER, FUEL	
28	13100455530	1	FUEL TANK CAP ASY	INCLUDES ITEMS 29-30
29	13101655830	1	GASKET, FUEL CAP	
30	13105156030	1	CONNECTOR, FUEL CAP	
31	90060300005	2	WASHER 5	
<u>SERIAL NUMBERS: 02001001-07999999</u>				
32	A350000220	1	TANK, FUEL	INCLUDES ITEM 33
33	13104528230	2	COLLAR	
34	90023805016	2	SCREW 5X16	
<u>SERIAL NUMBERS: 08001001-10999999</u>				
35	A350000290	1	TANK, FUEL	
36	90023805020	2	SCREW 5X20	

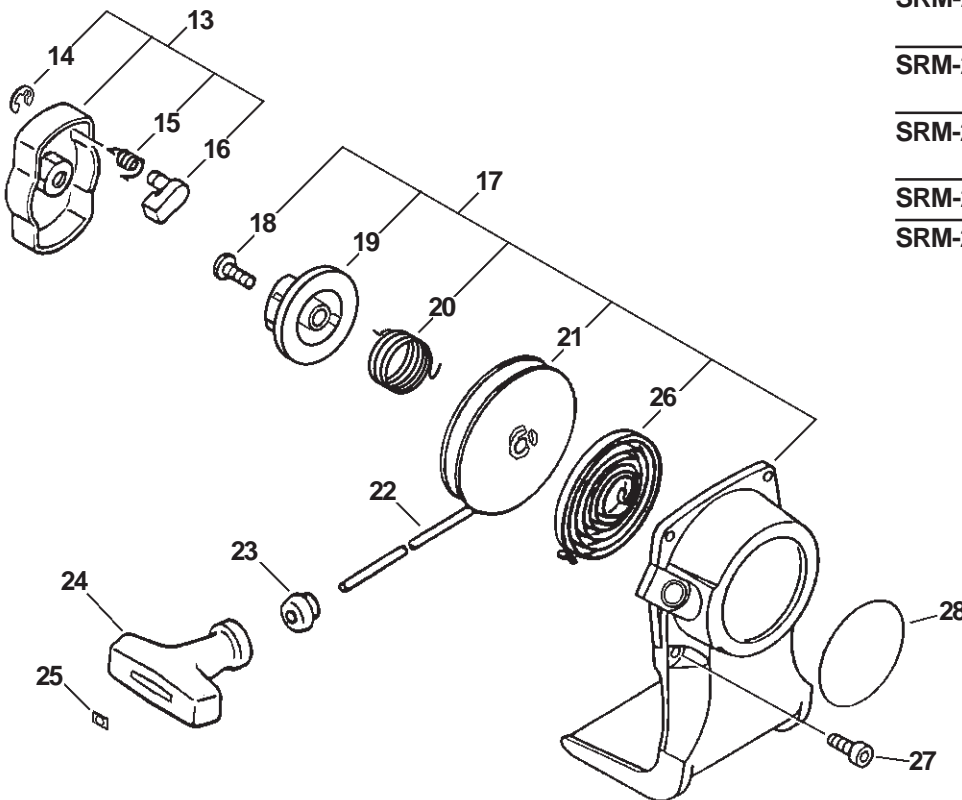
**SERIAL NUMBERS: ALL**



MODEL	SERIAL NUMBERS:
SRM-210:	05001001 - 05291880 07001001 - 07004397
SRM-210SB:	05001001 - 05016331
SRM-210U:	05001001 - 05999999 07001001 - 07999999
SRM-211:	02001001 - 02999999 06001001 - 06017100
SRM-211SB:	02001001 - 02999999 06001001 - 06999999
SRM-211U:	02001001 - 02999999 06001001 - 06999999

ITEMS 1-10 MAY BE REPLACED WITH i-START ACCESSORY KIT #99944200001

**i-30 STARTER**

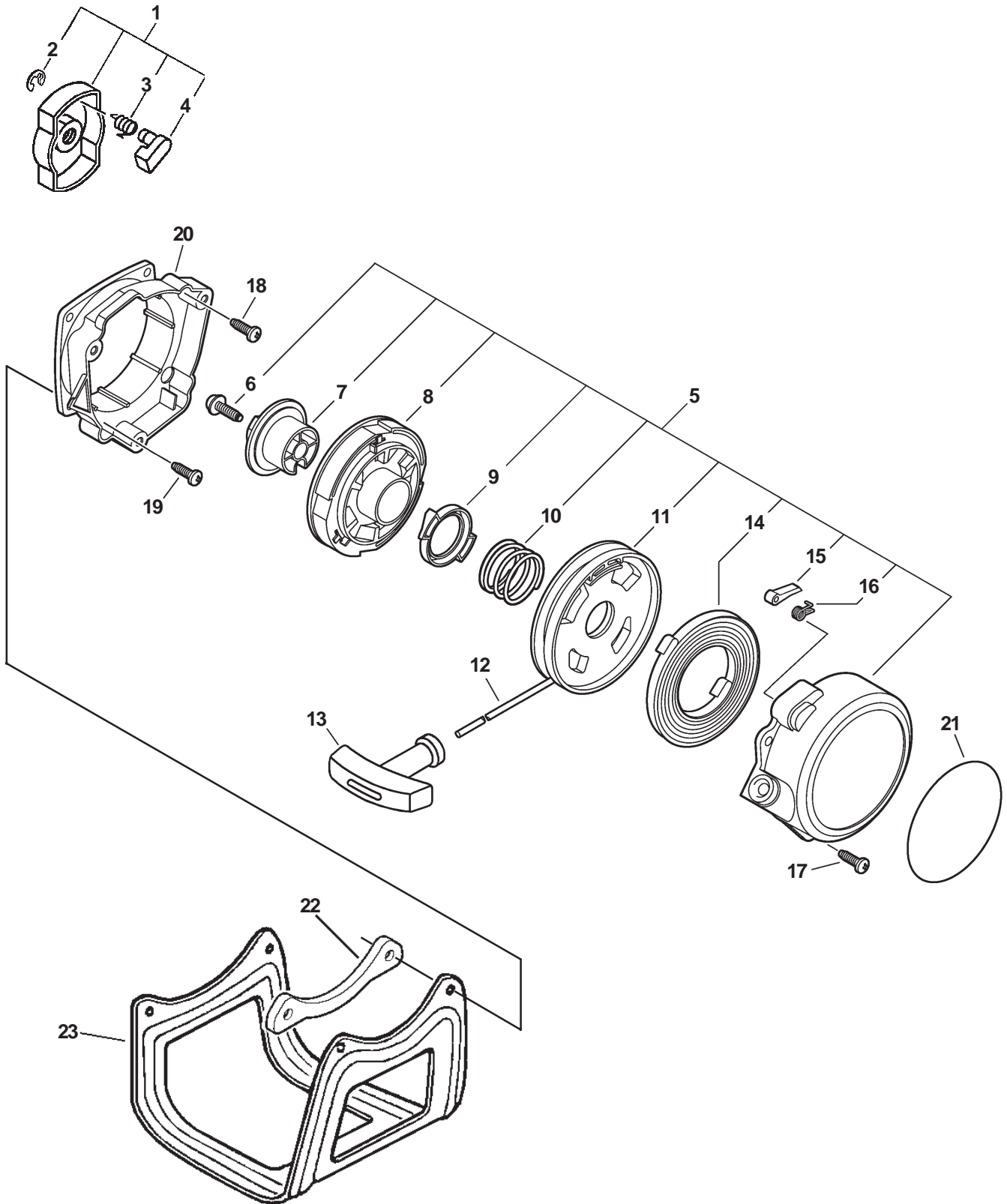


MODEL	SERIAL NUMBERS:
SRM-210:	05291881 - 05999999 07004398 - 08999999 10001001 - 10999999
SRM-210SB:	05016332 - 05999999 07001001 - 10999999
SRM-210U:	08001001 - 08999999 10001001 - 10999999
SRM-211:	06017101 - 06999999 09001001 - 09999999
SRM-211SB:	09001001 - 09999999
SRM-211U:	09001001 - 09999999

**SERIAL NUMBERS: ALL**

ITEM	PART NUMBER	QTY	DESCRIPTION	REMARKS
1	17720244330	1	STARTER PAWL ASY	INCLUDES ITEMS 2-3
2	17723442030	1	SPRING, RETURN	
3	17721844330	1	PAWL, STARTER	
4	17720054130	1	STARTER ASY	INCLUDES ITEMS 5-10
5	17723644330	1	SCREW	
6	17721544430	1	DRUM, STARTER	
7	17722610120	1	ROPE, STARTER - 3X700mm	BULK OPTION: 99944440000
8	17722742030	1	GUIDE, ROPE	
9	17722806530	1	GRIP, STARTER	
10	17722042030	1	SPRING, REWIND	
11	90016304016	4	BOLT	
12	89011849130	1	LABEL, ECHO	
13	A052000180	1	STARTER PAWL ASY	INCLUDES ITEMS 14-16
14	P022002100	2	E-RING	
15	P022006510	2	SPRING, RETURN	
16	P022006850	2	PAWL, STARTER	
17	A051000680	1	STARTER ASY	INCLUDES ITEMS 18-26
18	17723661830	1	SCREW	
19	P022008280	1	PLATE, CAM	
20	P022008270	1	SPRING, DAMPER	
21	P022006830	1	DRUM	
22	P022008260	1	ROPE, STARTER - 3X700mm	BULK OPTION: 99944440000
23	17722742030	1	GUIDE, ROPE	
24	17722827030	1	GRIP, STARTER	
25	17724611120	1	CLIP, STARTER ROPE	
26	17722042030	1	SPRING, REWIND	
27	90016304016	2	BOLT 4X16	
28	X502000150	1	LABEL, i-30	

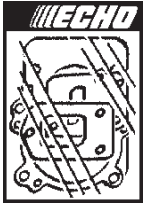
SERIAL NUMBERS: 05001001-10999999



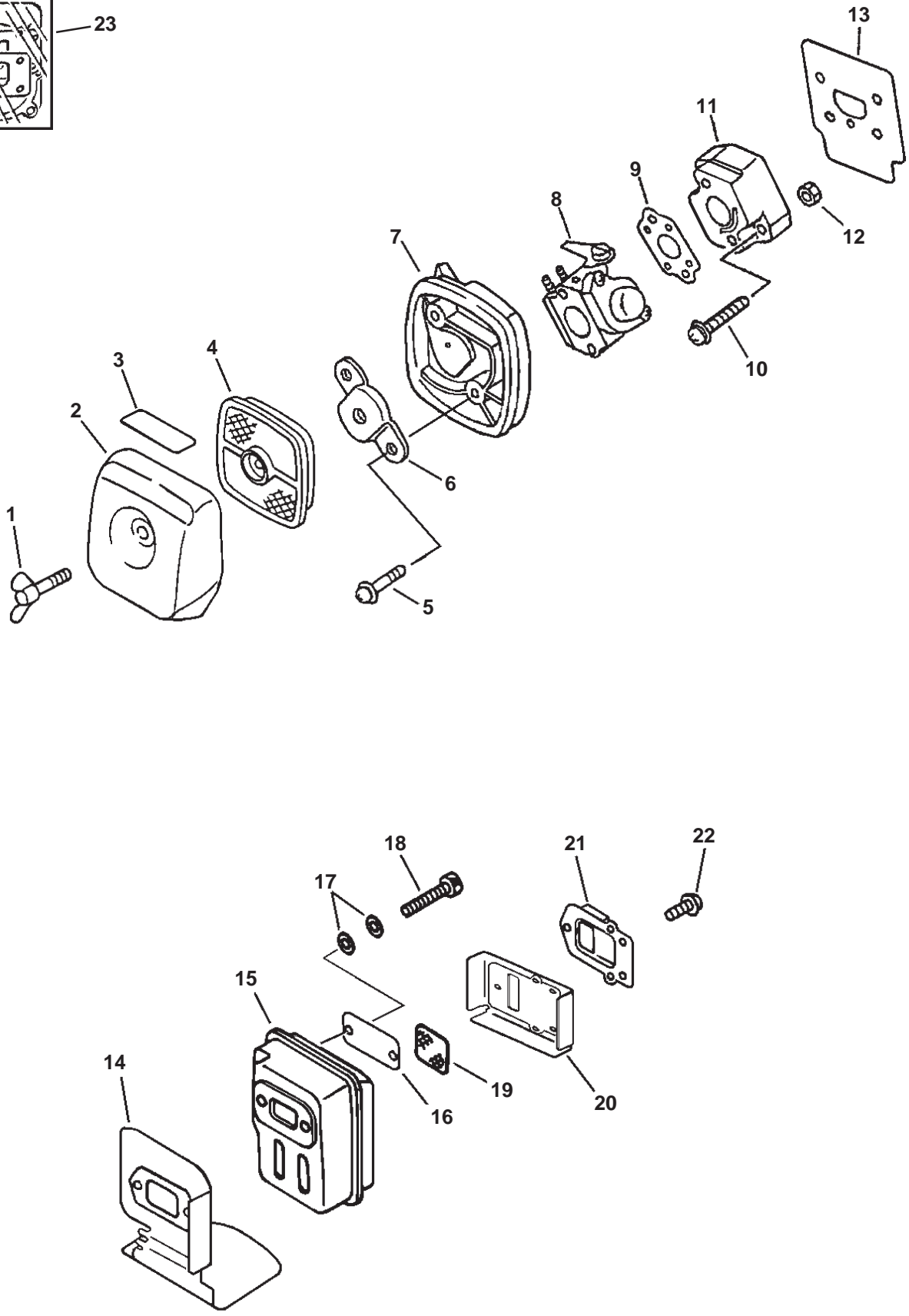
**SERIAL NUMBERS: 05001001-10999999**

ITEM	PART NUMBER	QTY	DESCRIPTION	REMARKS
1	A052000130	1	STARTER PAWL ASY	INCLUDES ITEMS 2-4
2	P022004740	2	PAWL, STARTER	
3	P022006510	2	SPRING, PAWL RETURN	
4	P022002100	2	E-RING	
5	A051000360	1	STARTER ASY	INCLUDES ITEMS 6-16
6	P022004630	1	SCREW	
7	P022004640	1	PLATE, CAM	
8	P022004700	1	SPRING ASY	
9	P022004670	1	PAWL, SPRING ASY	
10	P022004660	1	SPRING, RETURN	
11	P022004690	1	DRUM, STARTER	
12	P022004600	1	ROPE, STARTER - 3X1220mm	BULK OPTION: 99944440000
13	P022004990	1	GRIP, STARTER	
14	P022004680	1	SPRING, REWIND	
15	P022004620	2	PAWL, STARTER	
16	P022004610	2	SPRING, PAWL RETURN	
17	90025305020	3	SCREW 5X20	
18	90016304016	2	SCREW 4X16	
19	90016204020	2	SCREW 4X20	
20	V376000361	1	SPACER	
21	X502000032	1	LABEL -- i-START	
22	V150001640	1	EYE PLATE	
23	30511042030	1	STAND	

SERIAL NUMBERS: 02001001-02999999



**GASKET KIT**



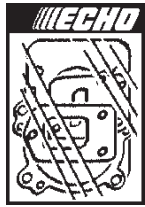
**SERIAL NUMBERS: 02001001-02999999**

ITEM	PART NUMBER	QTY	DESCRIPTION	REMARKS
1	21041752730	1	WING BOLT	
2	13031306563	1	LID, AIR CLEANER	
3	89012106360	1	LABEL, CHOKE	
4	13031054130	1	FILTER, AIR	
5	90024205065	2	SCREW 5X65	
6	12901152730	1	PLATE, PREVENT	
7	P021001500	1	CASE, AIR CLEANER	
8	A021000110	1	CARBURETOR -- CIU-K58	
★ 9	13001642031	1	GASKET, INTAKE	
10	90023805020	2	SCREW 5X20	
11	13001742031	1	INSULATOR, INTAKE	
12	90050000005	2	NUT 5	
★ 13	13001042032	1	SHIELD, INTAKE	
★ 14	V104000100	1	SHIELD, EXHAUST	
15	A300000140	1	MUFFLER	
16	V150000371	1	PLATE, EYE	
17	V347000000	4	WASHER, CONICAL	
18	90010505055	2	BOLT 5X55	
19	14586240630	1	SCREEN, MUFFLER	
20	V104000360	1	GASKET, EXHAUST	
21	A313000130	1	GUIDE, EXHAUST	
22	9136704010	5	SCREW	

★ Also Included In GASKET KIT

23	P021001591	1	GASKET KIT	
----	------------	---	------------	--

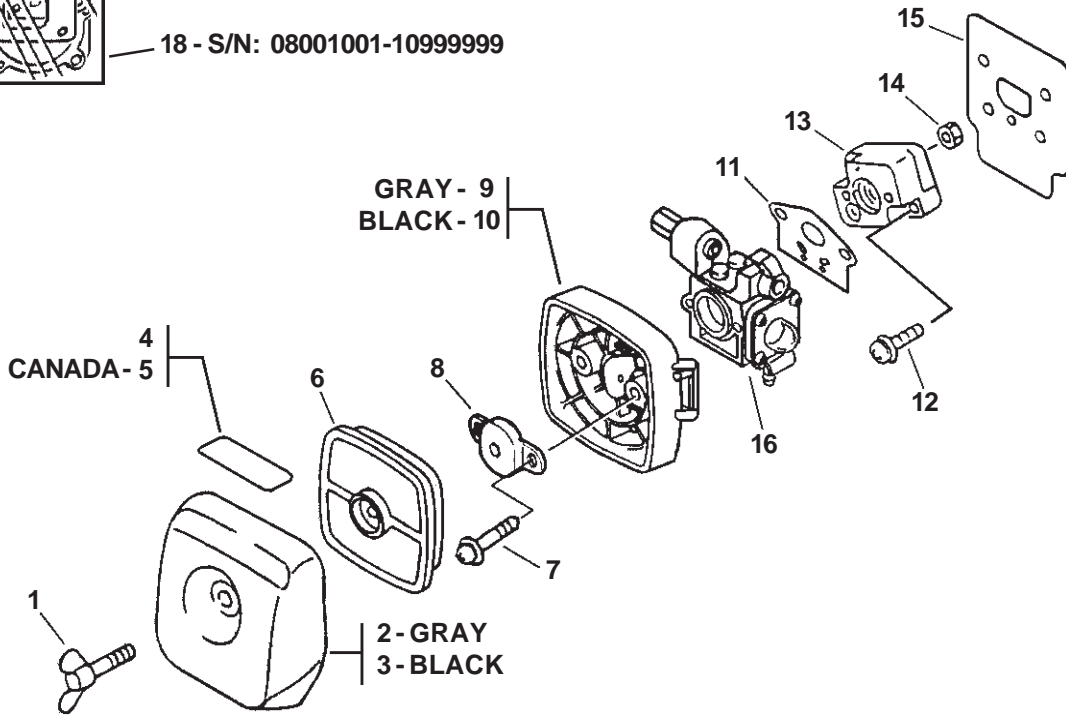
**SERIAL NUMBERS: 05001001-10999999**



**GASKET KIT**

17 - S/N: 05001001-07999999

18 - S/N: 08001001-10999999





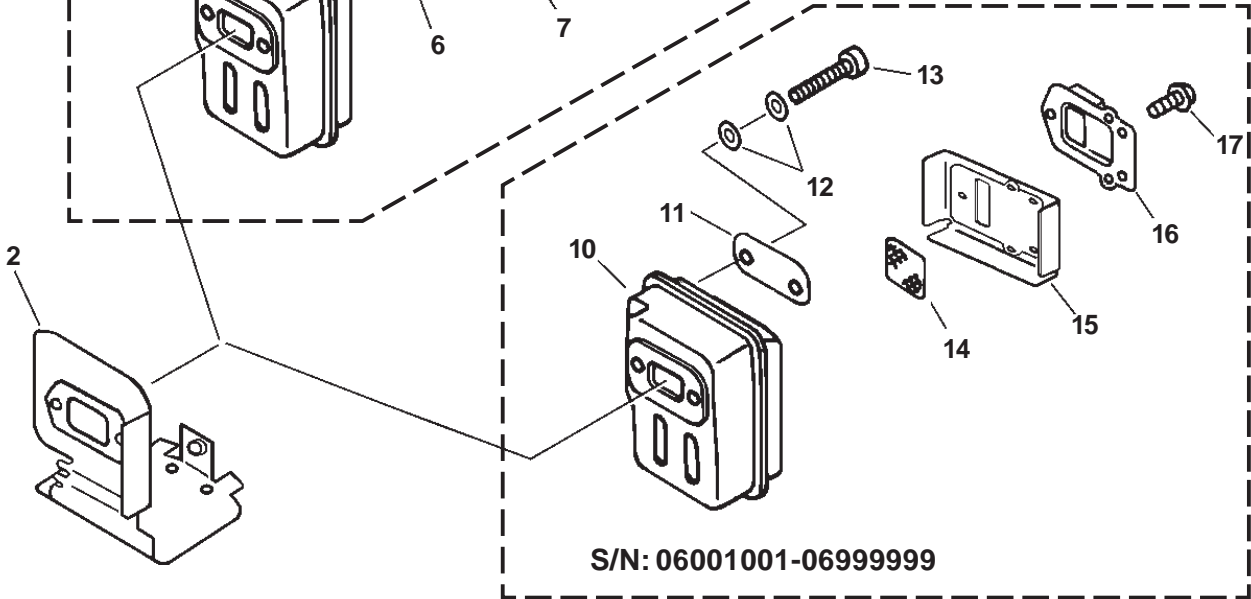
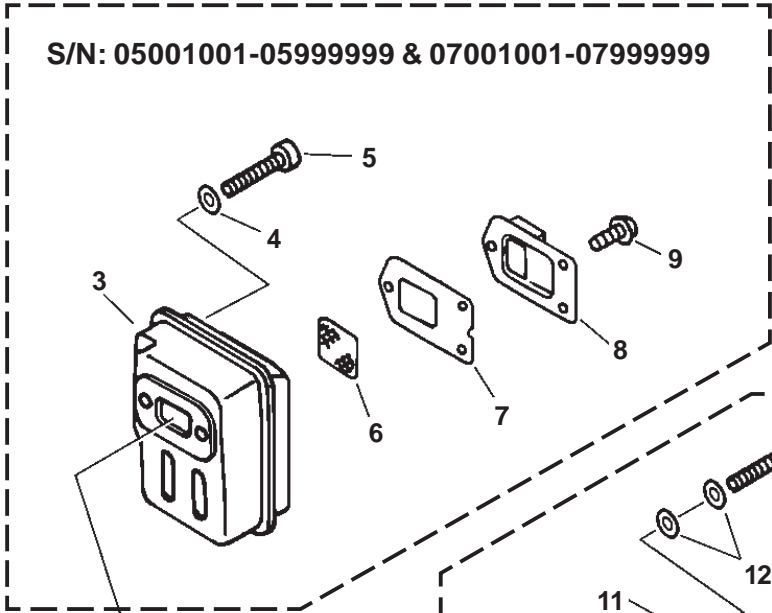
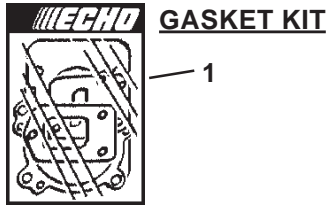
**SERIAL NUMBERS: 05001001-10999999**

ITEM	PART NUMBER	QTY	DESCRIPTION	REMARKS
1	21041752730	1	WING BOLT	
2	13031306563	1	LID, AIR CLEANER - GRAY	
3	13031305863	1	LID, AIR CLEANER - BLACK	
4	89012152730	1	LABEL, CHOKE	
5	89033252730	1	LABEL, CHOKE - CANADA MODELS	
6	13031054130	1	FILTER, AIR	
7	90022005065	2	SCREW 5X65	
8	12901152730	1	PLATE, PREVENT	
9	P021000991	1	CASE, AIR CLEANER - GRAY	
10	P021004480	1	CASE, AIR CLEANER - BLACK	
★ 11	13001013410	1	GASKET, INTAKE	
12	90023805020	2	SCREW 5X20	
13	13001744330	1	INSULATOR, INTAKE	
14	90050000005	2	NUT 5	
★ 15	13001042032	1	SHIELD, INTAKE	

★ Also Included In GASKET KIT

16	-----	1	CARBURETOR**	
**SEE CARBURETOR DIAGRAMS FOR MODEL APPLICATIONS AND SERIAL NUMBERS				
17	P021004270	1	GASKET KIT	S/N: 05001001-07999999
18	P021008260	1	GASKET KIT	S/N: 08001001-10999999

**SERIAL NUMBERS: 05001001-07999999**

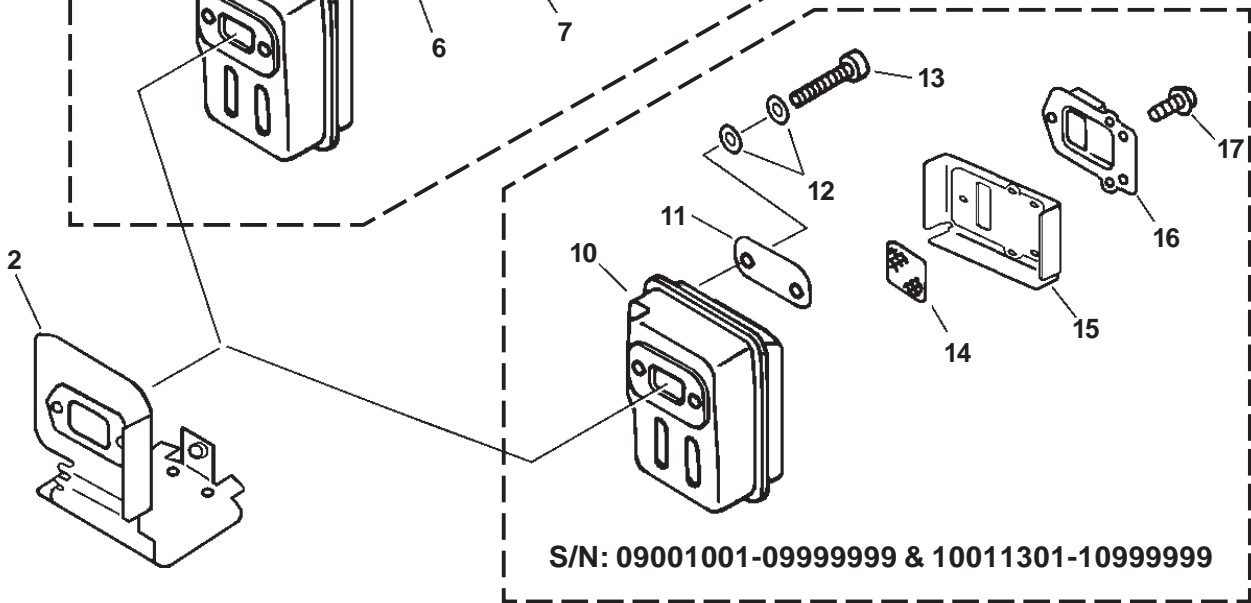
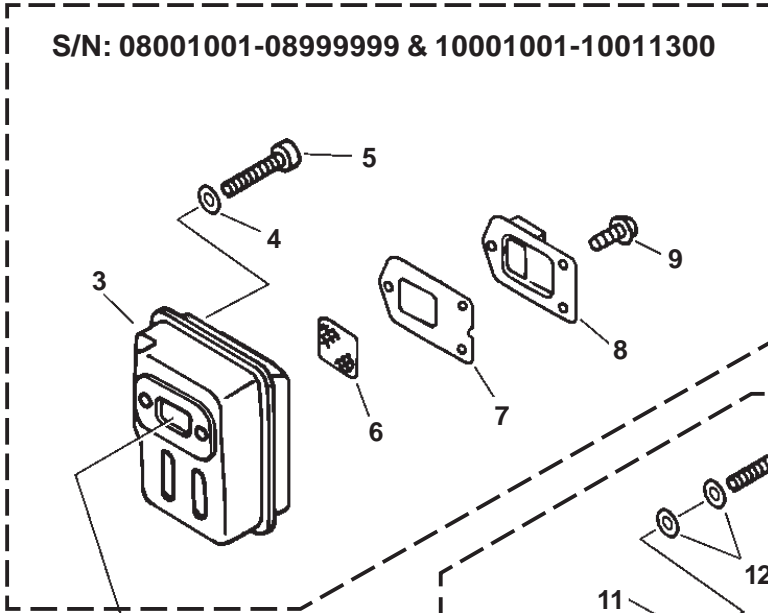
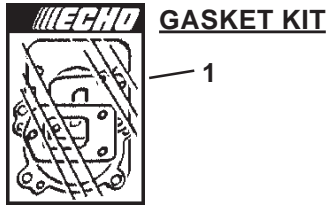


**SERIAL NUMBERS: 05001001-07999999**

ITEM	PART NUMBER	QTY	DESCRIPTION	REMARKS
1	P021004270	1	GASKET KIT	
★ 2	V104000440	1	SHIELD, EXHAUST	
<u>S/N:05001001-05999999 &amp; 07001001-07999999</u>				
3	14580642030	1	MUFFLER	
4	90060000005	2	WASHER	
5	90010505055	2	BOLT 5X55	
6	14586240630	1	SCREEN, MUFFLER	
★ 7	14586642031	1	GASKET, EXHAUST	
8	A313000350	1	GUIDE, EXHAUST	
9	90024204010	3	SCREW 4X10	
<u>S/N:06001001-06999999</u>				
10	A300000141	1	MUFFLER	
11	V150000371	1	PLATE, EYE	
12	V347000000	4	CONICAL WASHER	
13	90010505055	2	BOLT 5X55	
14	14586240630	1	SCREEN, MUFFLER	
★ 15	V104000360	1	GASKET, EXHAUST	
16	A313000130	1	GUIDE, EXHAUST	
17	9136704010	5	SCREW 4X10	

★ Also Included In GASKET KIT

**SERIAL NUMBERS: 08001001-10999999**

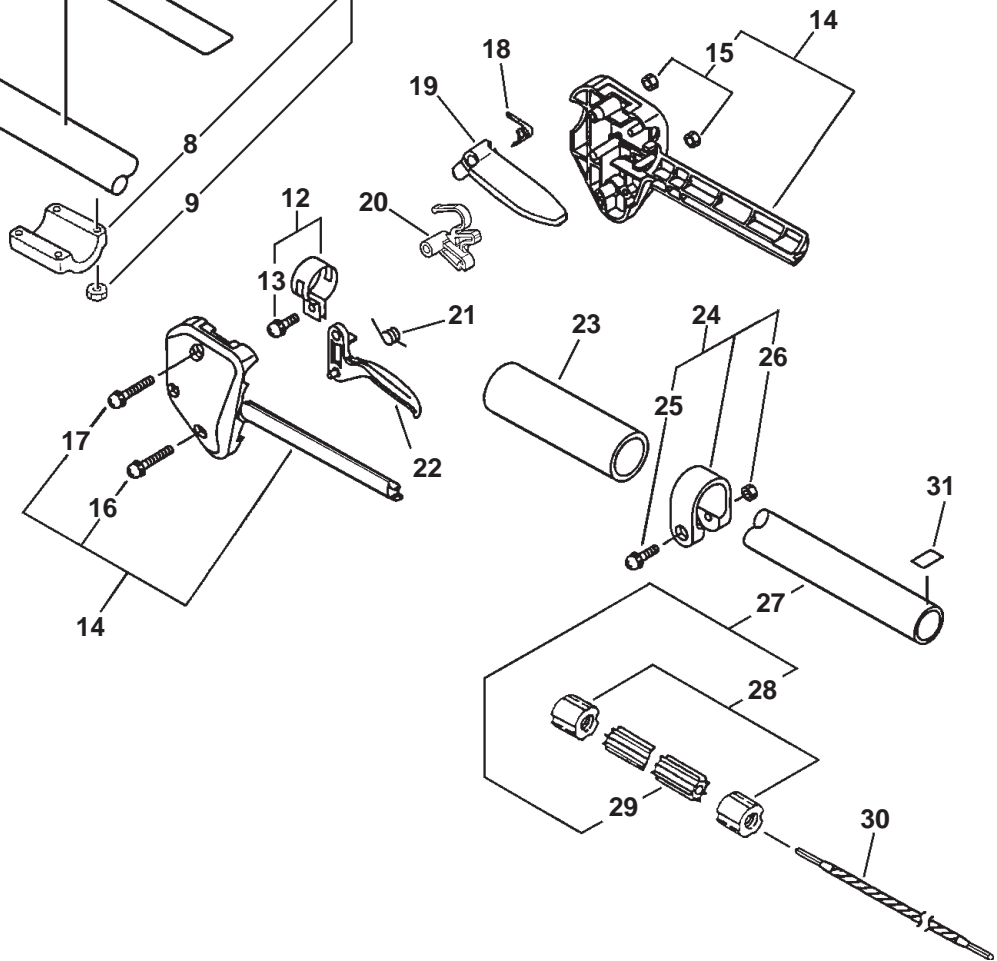
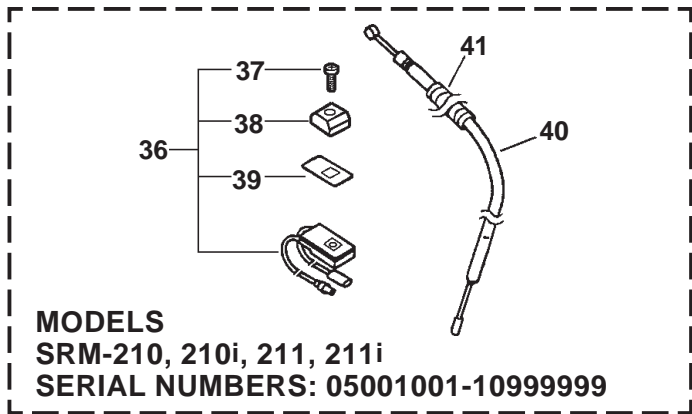
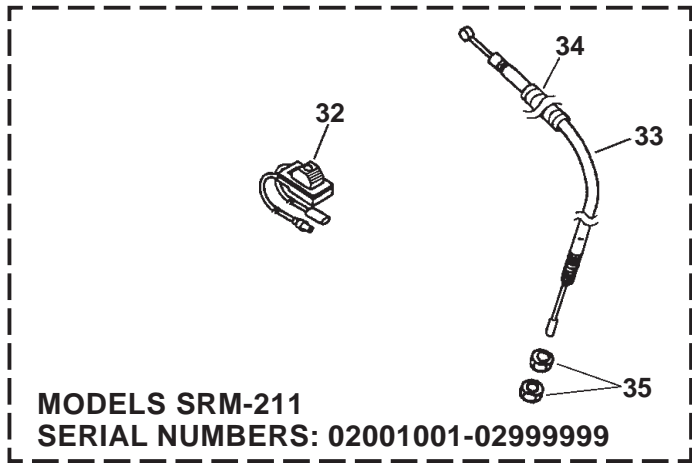
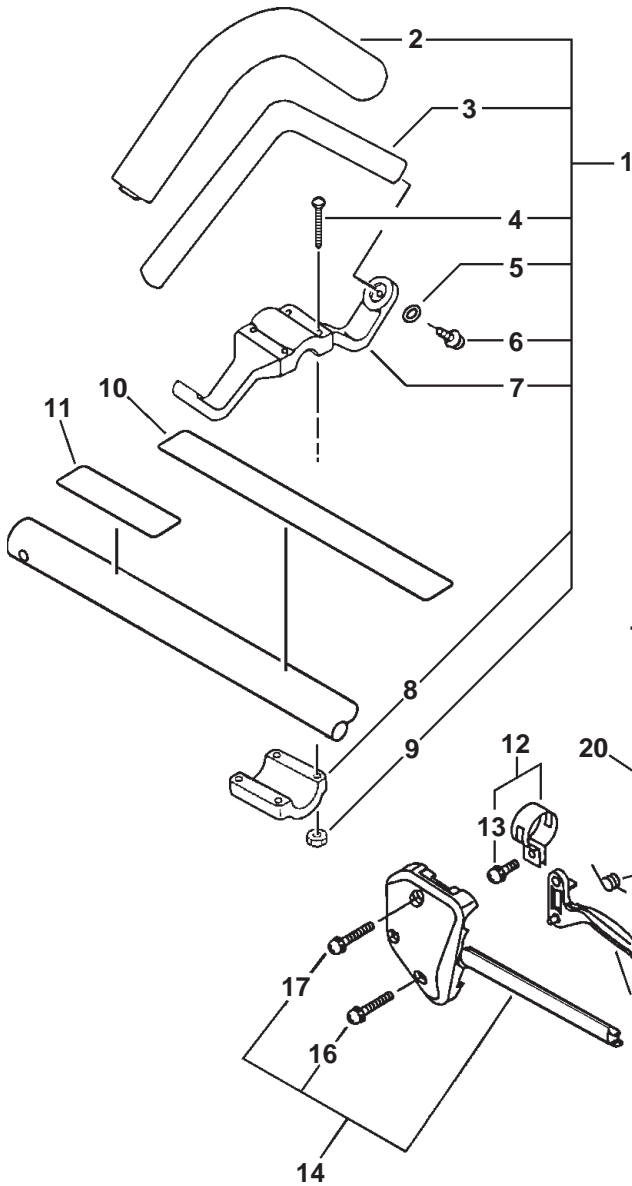


**SERIAL NUMBERS: 08001001-10999999**

ITEM	PART NUMBER	QTY	DESCRIPTION	REMARKS
1	P021008260	1	GASKET KIT	
★ 2	V104000500	1	SHIELD, EXHAUST	
<u>S/N:08001001-08999999 &amp; 10001001-10013100</u>				
3	14580642030	1	MUFFLER	
4	90060000005	2	WASHER	
5	90010505055	2	BOLT5X55	
6	14586240630	1	SCREEN, MUFFLER	
★ 7	14586642031	1	GASKET, EXHAUST	
8	A313000580	1	GUIDE, EXHAUST	
9	90024204010	3	SCREW 4X10	
<u>S/N:09001001-09999999 &amp; 10013101-10999999</u>				
10	A300000141	1	MUFFLER	
11	V150000371	1	PLATE, EYE	
12	V347000000	4	CONICAL WASHER	
13	90010505055	2	BOLT5X55	
14	14586240630	1	SCREEN, MUFFLER	
★ 15	V104000360	1	GASKET, EXHAUST	
16	A313000600	1	GUIDE, EXHAUST	
17	9136704010	5	SCREW 4X10	

★ Also Included In GASKET KIT

**SERIAL NUMBERS: ALL**



**SERIAL NUMBERS: ALL**

ITEM	PART NUMBER	QTY	DESCRIPTION	REMARKS
1	P021000021	1	FRONT HANDLE ASY	INCLUDES ITEMS 2-9
2	35121666230	1	GRIP, HANDLE	
3	35120566230	1	HANDLE, FRONT	
4	90024205035	4	SCREW 5X35	
5	90060000005	2	WASHER 5	
6	90025305020	2	SCREW 5X20	
7	35123266230	1	BRACKET, HANDLE - UPPER	
8	35122507130	1	BRACKET, HANDLE - LOWER	
9	90050000005	4	NUT 5	
10	89022809560	1	LABEL, CAUTION - SPANISH	
11	89016054130	1	LABEL, CAUTION	
12	30120029430	1	BAND ASY	INCLUDES ITEM 13
13	90024205014	1	SCREW 5X14	
14	17800352130	1	THROTTLE BRACKET SET	INCLUDES ITEMS 15-17
15	90050000005	2	NUT 5	
16	90024205025	1	SCREW 5X25	
17	90024205035	1	SCREW 5X35	
18	17801352630	1	SPRING, THROTTLE TRIGGER LOCKOUT	
19	17809052631	1	LEVER, THROTTLE TRIGGER LOCKOUT	
20	17801252730	1	LOCKOUT, THROTTLE TRIGGER	
21	17804342230	1	SPRING, THROTTLE RETURN	
22	17801052130	1	TRIGGER, THROTTLE	
23	35121352130	1	GRIP, FRONT HANDLE	
24	61027252130	1	BAND	INCLUDES ITEMS 25-26
25	90024205028	1	SCREW 5X28	
26	90050000005	1	NUT 5	
27	61060944730	1	DRIVESHAFT HOUSING ASY	INCLUDES ITEMS 28-29
28	61024644730	2	STOPPER	
29	61021744730	1	LINER, FLEXIBLE	
30	61001344730	1	DRIVESHAFT, FLEXIBLE	
31	89015204930	1	LABEL, ALIGNMENT	

MODELS SRM-211 SERIAL NUMBERS: 02001001-02999999

32	16340155630	1	SWITCH, IGNITION	
33	17800156730	1	CABLE, THROTTLE	
34	17812750330	1	TUBE	
35	90050200006	2	NUT 6	

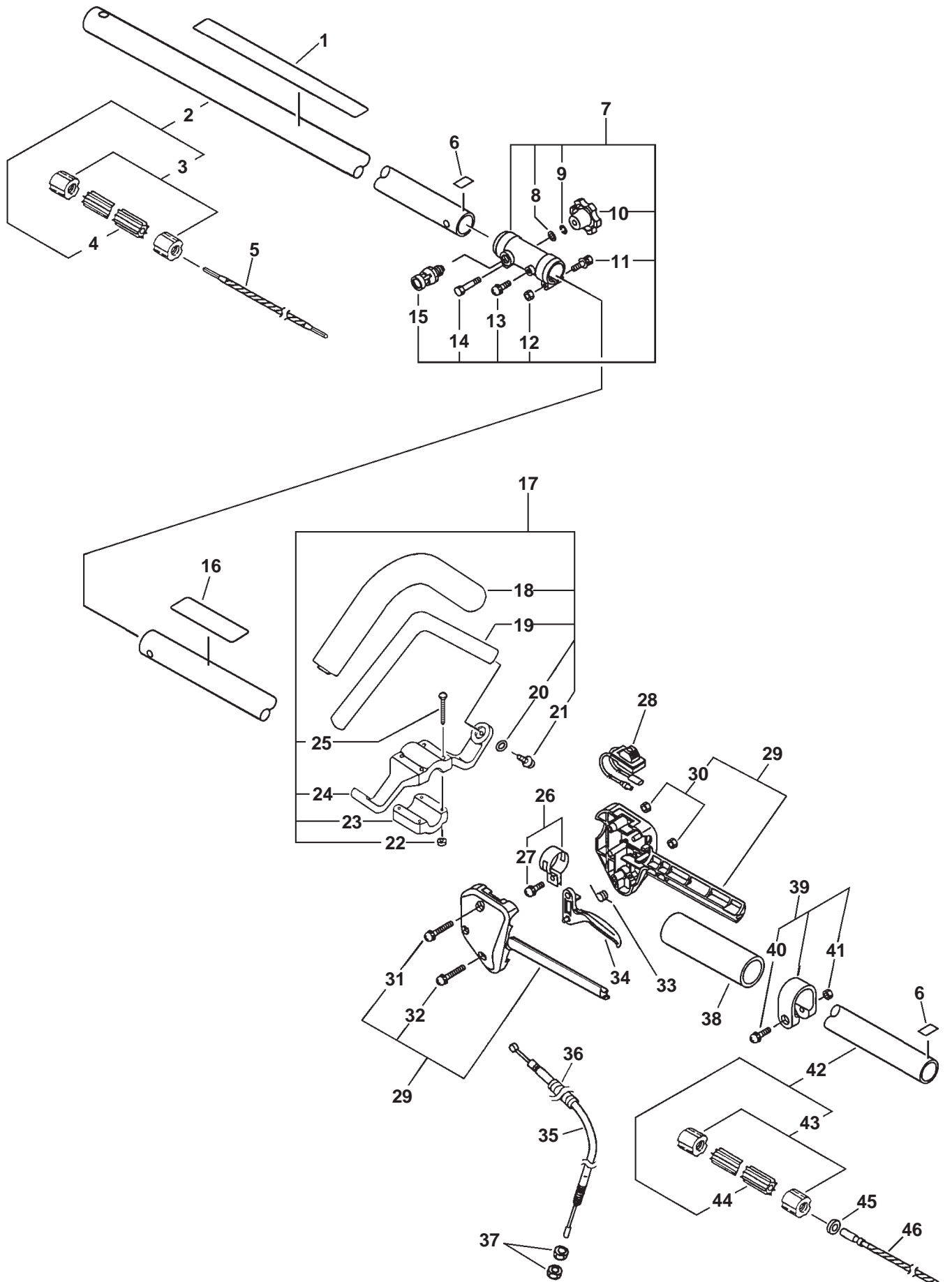
MODELS SRM-210, 210i, 211, 211i SERIAL NUMBERS: 05001001-10999999

36	16340155631	1	SWITCH, IGNITION	INCLUDES ITEMS 37-39
37	9154503010	1	SCREW 3X10	
38	16341049231	1	KNOB, SWITCH	
39	89015712330	1	COVER, SWITCH	
40	V430000730	1	CABLE, THROTTLE	
41	17812750330	1	TUBE	

# SRM-211SB

HANDLE, STOP SWITCH, THROTTLE CABLE, DRIVESHAFT

SERIAL NUMBERS: 02001001-02999999





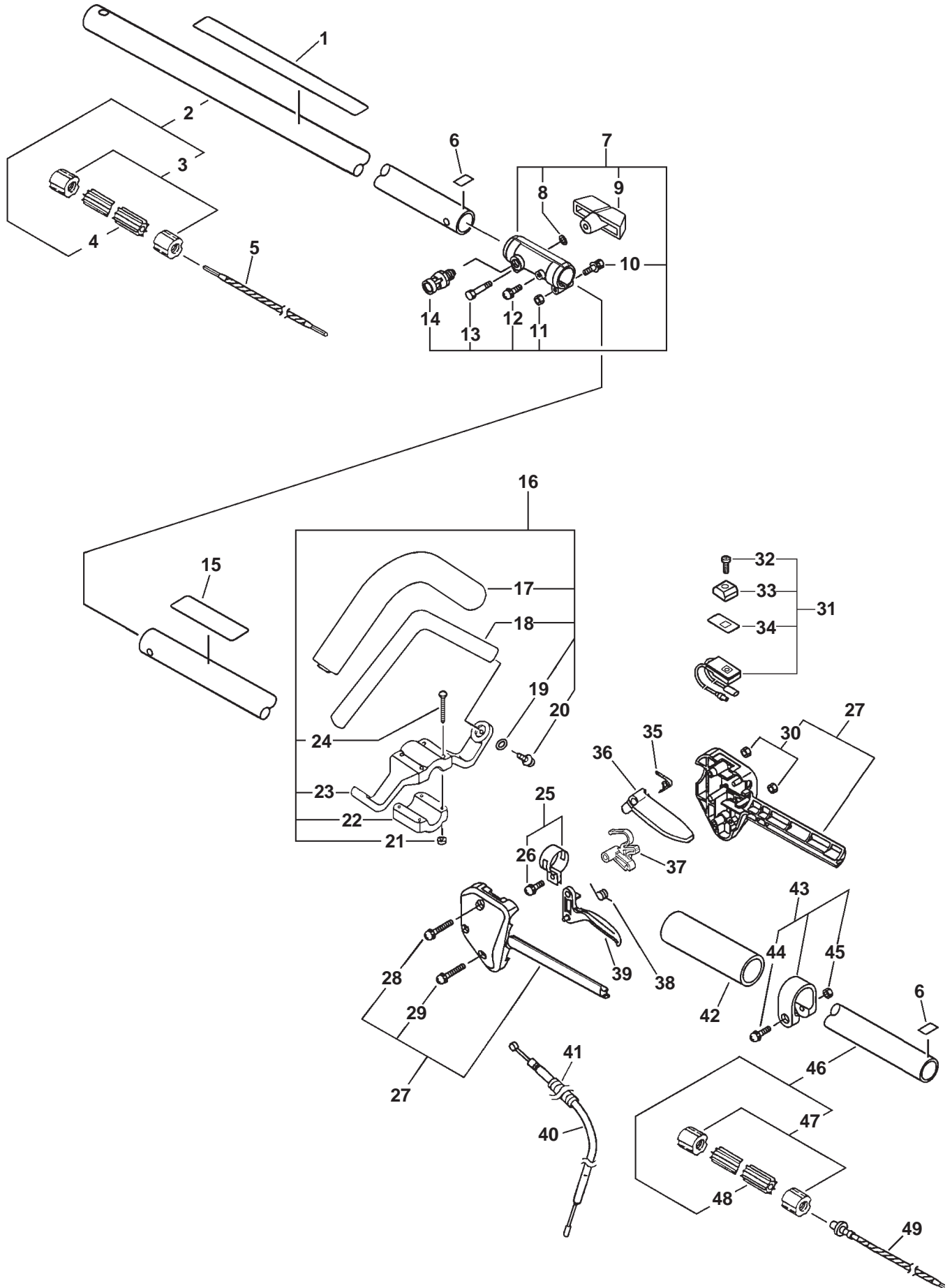
**SERIAL NUMBERS: 02001001-02999999**

ITEM	PART NUMBER	QTY	DESCRIPTION	REMARKS
1	89016054130	1	LABEL, CAUTION	
2	61020654130	1	DRIVE SHAFT HOUSING ASY - LOWER	INCLUDES ITEMS 3-4
3	61024644730	2	STOPPER	
4	61021752630	1	LINER, FLEXIBLE - LOWER	
5	C506000000	1	DRIVESHAFT, FLEXIBLE - LOWER	
6	89015204930	2	LABEL, ALIGNMENT	
7	61060156732	1	COUPLER ASY	INCLUDES ITEM 8-15
8	90060000005	1	WASHER 5	
9	90060500005	1	SPRING WASHER 5	
10	V299000100	1	KNOB	
11	90014205030	1	BOLT 5X30	
12	90050000005	1	NUT 5	
13	90024205014	1	SCREW 5X14	
14	90010005035	1	BOLT 5X35	
15	17830256630	1	LATCH ASY	
16	89022809560	1	LABEL, CAUTION - SPANISH	
17	P021000020	1	FRONT HANDLE ASY	INCLUDES ITEMS 18-25
18	35121666230	1	GRIP, HANDLE	
19	35120566230	1	HANDLE, FRONT	
20	90060000005	2	WASHER 5	
21	88995021060	2	SCREW 5	
22	90050000005	4	NUT 5	
23	35122507130	1	BRACKET, HANDLE - LOWER	
24	35123266230	1	BRACKET, HANDLE - UPPER	
25	90024205035	4	SCREW 5X35	
26	30120029430	1	BAND ASY	INCLUDES ITEM 27
27	90024205014	1	SCREW 5X14	
28	16340155630	1	SWITCH, IGNITION	
29	17800352130	1	THROTTLE BRACKET SET	INCLUDES ITEMS 30-32
30	90050000005	2	NUT 5	
31	90024205035	1	SCREW 5X35	
32	90024205025	1	SCREW 5X25	
33	17804342230	1	SPRING, THROTTLE RETURN	
34	17801052130	1	TRIGGER, THROTTLE	
35	17800156730	1	CABLE, THROTTLE	
36	17812706960	1	TUBE	
37	90050200006	2	NUT 6	
38	35121352130	1	GRIP, FRONT HANDLE	
39	61027252130	1	BAND	INCLUDES ITEMS 40-41
40	90024205028	1	SCREW 5X28	
41	90050000005	1	NUT 5	
42	61020656730	1	DRIVESHAFT HOUSING ASY - UPPER	INCLUDES ITEMS 43-44
43	61024644730	2	STOPPER	
44	61021756730	1	LINER, FLEXIBLE - UPPER	
45	10025156630	1	CUSHION	
46	61001355630	1	DRIVESHAFT, FLEXIBLE - UPPER	

# SRM-210SB, 211SB

HANDLE, STOP SWITCH, THROTTLE CABLE, DRIVESHAFT

SERIAL NUMBERS: 05001001-10999999



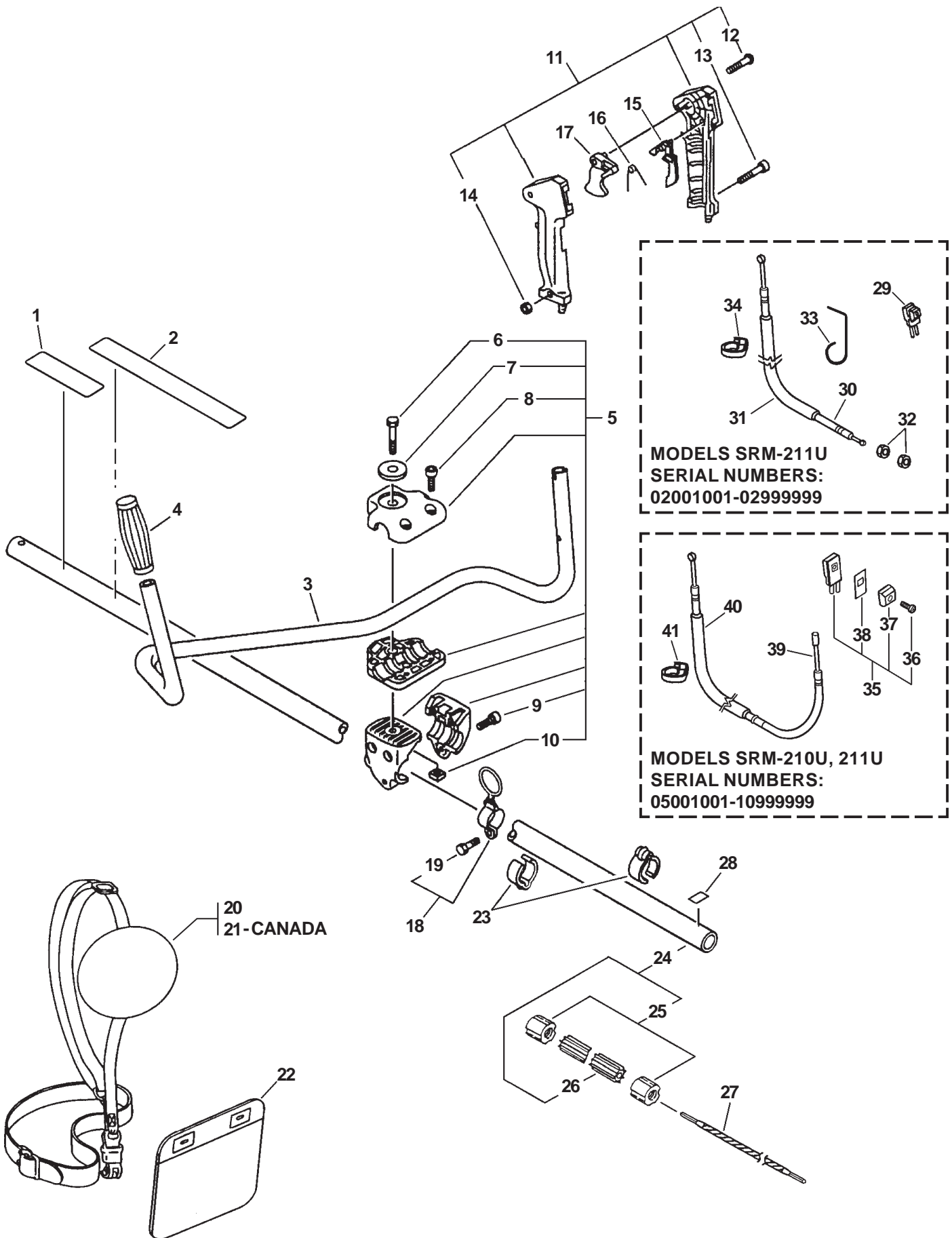
**SERIAL NUMBERS: 05001001-10999999**

ITEM	PART NUMBER	QTY	DESCRIPTION	REMARKS
1	89016054130	1	LABEL, CAUTION	
2	61020654130	1	DRIVE SHAFT HOUSING ASY - LOWER	INCLUDES ITEMS 3-4
3	61024644730	2	STOPPER	
4	61021752630	1	LINER, FLEXIBLE - LOWER	
5	C506000000	1	DRIVESHAFT, FLEXIBLE - LOWER	
6	89015204930	2	LABEL, ALIGNMENT	
7	P021004350	1	COUPLER ASY	INCLUDES ITEM 8-14
8	V304000040	1	WASHER	
9	V299000160	1	KNOB	
10	9110006030	1	BOLT 6X30	
11	90051400006	1	NUT 6	
12	90010506010	1	BOLT 6X10	
13	9108506040	1	BOLT 6X40	
14	17830256630	1	LATCH ASY	
15	89022809560	1	LABEL, CAUTION - SPANISH	
16	P021000021	1	FRONT HANDLE ASY	INCLUDES ITEMS 17-24
17	35121666230	1	GRIP, HANDLE	
18	35120566230	1	HANDLE, FRONT	
19	900600000005	2	WASHER 5	
20	90025305020	2	SCREW 5X20	
21	900500000005	4	NUT 5	
22	35122507130	1	BRACKET, HANDLE - LOWER	
23	35123266230	1	BRACKET, HANDLE - UPPER	
24	90024205035	4	SCREW 5X35	
25	30120029430	1	BAND ASY	INCLUDES ITEM 26
26	90024205014	1	SCREW 5X14	
27	17800352130	1	THROTTLE BRACKET SET	INCLUDES ITEMS 28-30
28	90024205035	1	SCREW 5X35	
29	90024205025	1	SCREW 5X25	
30	900500000005	2	NUT 5	
31	16340155631	1	SWITCH, IGNITION	INCLUDES ITEMS 32-34
32	9154503010	1	SCREW 3X10	
33	16341049231	1	KNOB, SWITCH	
34	89015712330	1	COVER, SWITCH	
35	17801352630	1	SPRING, THROTTLE TRIGGER LOCKOUT	
36	17809052631	1	LEVER, THROTTLE TRIGGER LOCKOUT	
37	17801252630	1	LOCKOUT, THROTTLE TRIGGER	
38	17804342230	1	SPRING, THROTTLE RETURN	
39	17801052130	1	TRIGGER, THROTTLE	
40	V430000730	1	CABLE, THROTTLE	
41	17812750330	1	TUBE	
42	35121352130	1	GRIP, FRONT HANDLE	
43	61027252130	1	BAND	INCLUDES ITEMS 44-45
44	90024205028	1	SCREW 5X28	
45	900500000005	1	NUT 5	
46	61020656730	1	DRIVESHAFT HOUSING ASY - UPPER	INCLUDES ITEMS 47-48
47	61024644730	2	STOPPER	
48	61021756730	1	LINER, FLEXIBLE - UPPER	
49	C506000041	1	DRIVESHAFT, FLEXIBLE - UPPER	

# SRM-210U, 211U

## HANDLE, STOP SWITCH, THROTTLE CABLE, DRIVESHAFT

**SERIAL NUMBERS: ALL**



**SERIAL NUMBERS: ALL**

ITEM	PART NUMBER	QTY	DESCRIPTION	REMARKS
1	89022809560	1	LABEL, CAUTION - SPANISH	
2	89016054130	1	LABEL, CAUTION	
3	C400000000	1	HANDLE, FRONT	
4	35131102330	1	GRIP, HANDLE	
5	35130152130	1	HANDLE BRACKET ASY	INCLUDES ITEMS 6-10
6	35142152130	1	BOLT	
7	60501454230	1	WASHER	
8	90016205020	2	BOLT 5X20	
9	90016205030	3	BOLT 5X30	
10	90056550008	1	NUT	
11	35110247530	1	F-HANDLE GRIP ASY	INCLUDES ITEMS 12-14
12	90024603025	4	SCREW 3X25	
13	90022005030	1	SCREW 5X30	
14	90050000005	1	NUT 5	
15	17801205960	1	LOCKOUT, THROTTLE	
16	17801335631	1	SPRING, THROTTLE LOCK	
17	17801005960	1	CONTROL, THROTTLE	
18	30120021330	1	HOOK ASY	INCLUDES ITEM 19
19	90010005012	1	BOLT 5X12	
20	C062000070	1	HARNESS, SHOULDER	
21	C062000060	1	HARNESS, SHOULDER - CANADA MODELS	
22	30110541830	1	CUSHION	
23	22492452130	2	CLIP	
24	61060944730	1	DRIVESHAFT HOUSING ASY	INCLUDES ITEMS 25-26
25	61024644730	2	STOPPER	
26	61021744730	1	LINER, FLEXIBLE	
27	61001344730	1	SHAFT, FLEXIBLE	
28	89015204930	1	LABEL, ALIGNMENT	

MODELS SRM-211U SERIAL NUMBERS: 02001001-02999999

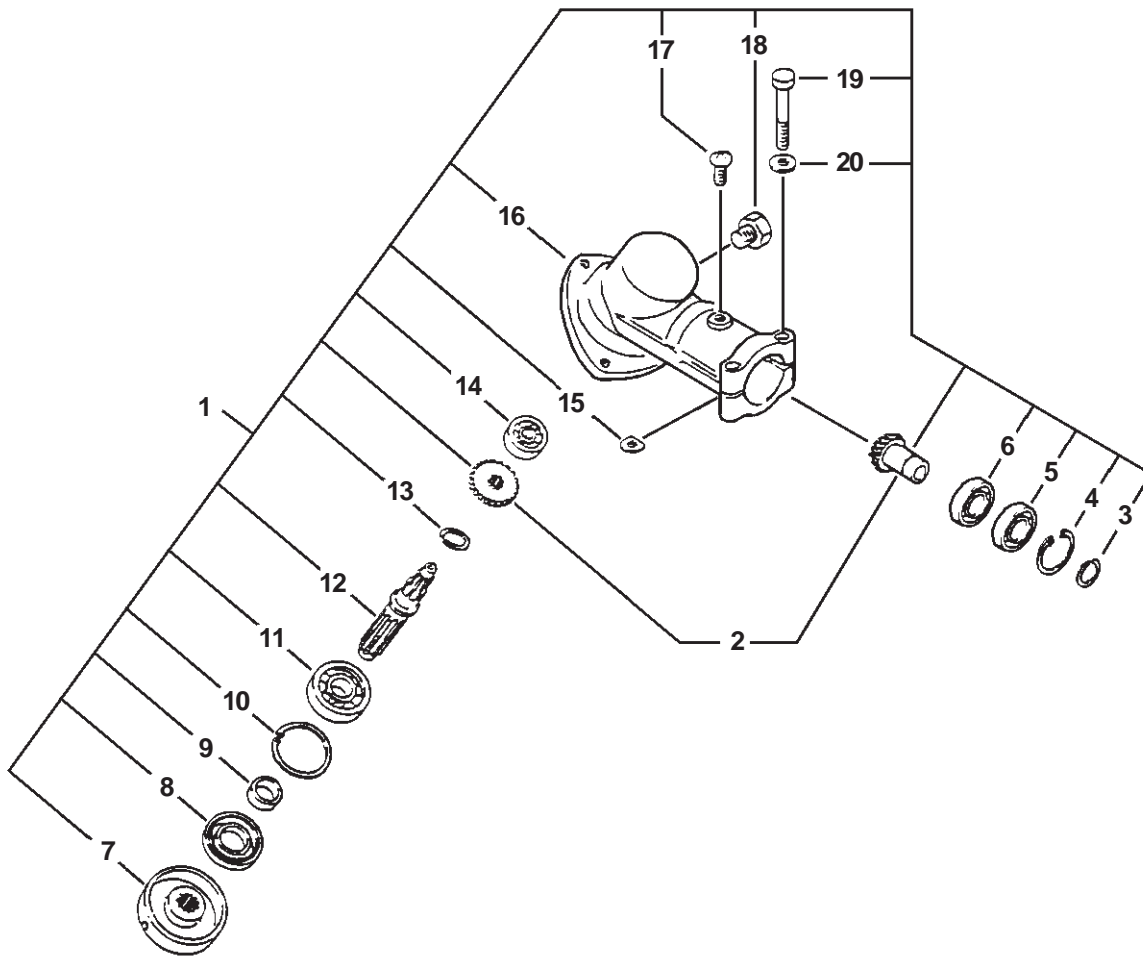
29	16340149230	1	SWITCH, IGNITION	
30	17800159230	1	CABLE, THROTTLE	
31	V475000000	1	TUBE	
32	90050200006	2	NUT 6	
33	17811106230	1	CLAMP	
34	15911209960	1	CLIP	

MODELS SRM-210U, 211U SERIAL NUMBERS: 05001001-10999999

35	A440000340	1	SWITCH, IGNITION	INCLUDES ITEMS 36-38
36	9154503010	1	SCREW 3X10	
37	16341049231	1	KNOB, SWITCH	
38	89015712330	1	COVER, SWITCH	
39	V430000740	1	CABLE, THROTTLE	
40	17812747530	1	TUBE	
41	15911209960	1	CLIP	

**SERIAL NUMBERS:**

SRM-210:	05001001 - 08075194
SRM-210:	10001001 - 10001505
SRM-210i:	05001001 - 08002837
SRM-210i:	10001001 - 10001140
SRM-210SB:	05001001 - 08003129
SRM-210SB:	10001001 - 10001196
SRM-211:	02001001 - 09004755
SRM-211i:	06001001 - 09001143
SRM-211SB:	02001001 - 09003374



# SRM-210, 210i, 210SB, 211, 211i, 211SB

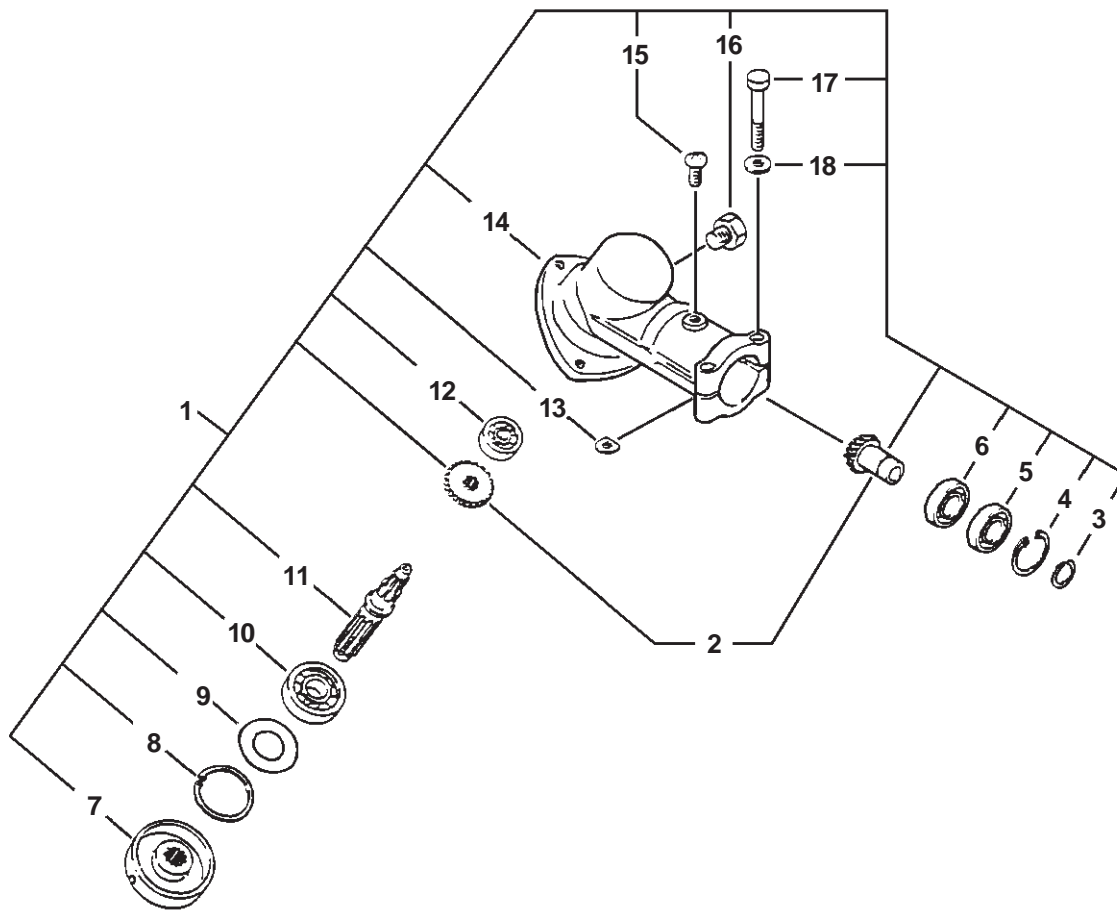
GEAR CASE

SERIAL NUMBERS:		SERIAL NUMBERS:	
SRM-210:	05001001 - 08075194	SRM-210SB:	10001001 - 10001196
SRM-210:	10001001 - 10001505	SRM-211:	02001001 - 09004755
SRM-210i:	05001001 - 08002837	SRM-211i:	06001001 - 09001143
SRM-210i:	10001001 - 10001140	SRM-211SB:	02001001 - 09003374
SRM-210SB:	05001001 - 08003129		

ITEM	PART NUMBER	QTY	DESCRIPTION	REMARKS
1	61040247732	1	GEAR HOUSING ASY	INCLUDES ITEMS 2-20
2	61030044830	1	GEAR SET	
3	90070600010	1	CIRCLIP 10	
4	90070200022	1	CIRCLIP 22	
5	90085806900	1	BEARING, BALL 6900Z	
6	90085506900	1	BEARING, BALL 6900	
7	61031347731	1	PLATE, ADAPTER - UPPER	
8	61041307130	1	OIL SEAL	
9	61031507130	1	SPACER	
10	90070200032	1	CIRCLIP 32	
11	90081206201	1	BEARING, BALL 6201	
12	61036008931	1	SHAFT, P.T.O.	
13	90070600012	1	CIRCLIP 12	
14	90080000609	1	BEARING, BALL 609	
15	61023904130	2	SHIM WASHER	
16	61046027430	1	HOUSING, GEAR	
17	90024205010	1	SCREW 5X10	
18	90010008008	1	BOLT 8X8	
19	90010005035	2	BOLT 5X35	
20	90060000005	2	WASHER 5	

## SERIAL NUMBERS:

SRM-210:	08075195 - 08999999
SRM-210:	10001506 - 10999999
SRM-210i:	08002838 - 08999999
SRM-210i:	10001141 - 10999999
SRM-210SB:	08003130- 09999999
SRM-210SB:	10001197 - 10999999
SRM-211:	09004756 - 09999999
SRM-211i:	09001144 - 09999999
SRM-211SB:	09003375 - 09999999





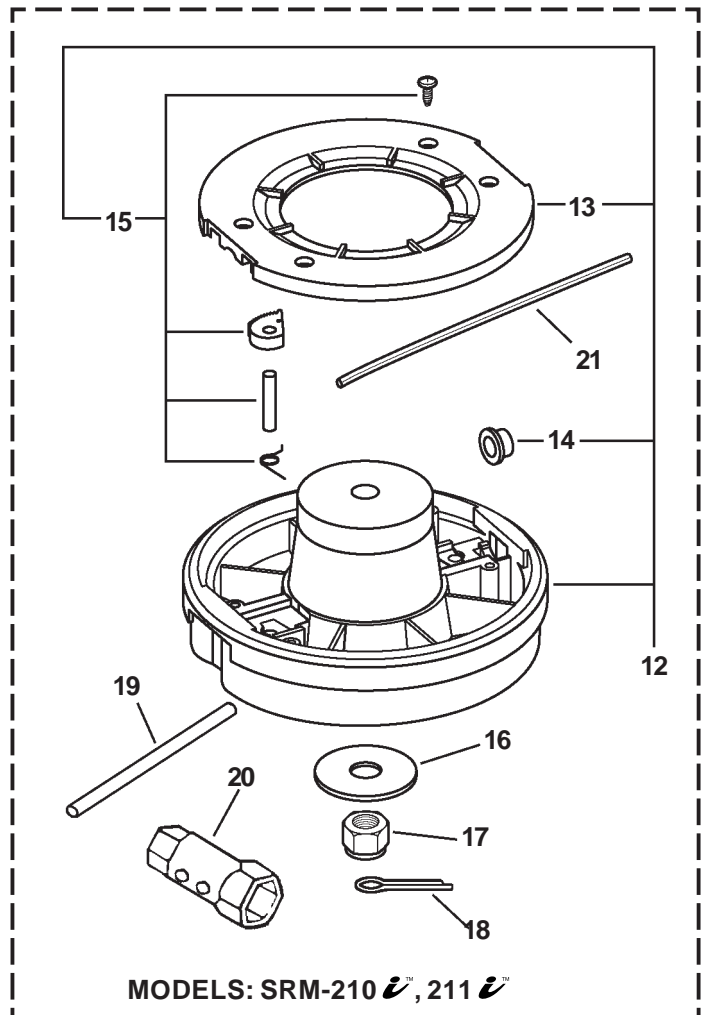
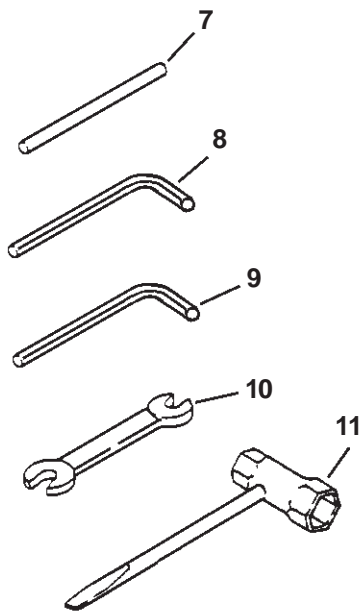
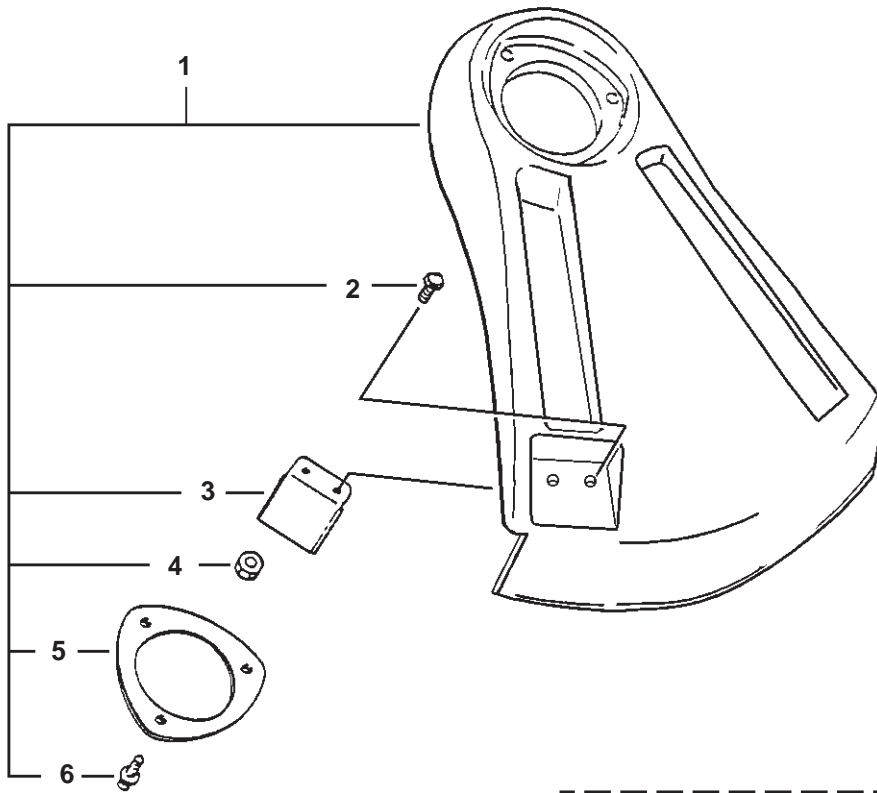
# SRM-210, 210i, 210SB, 211, 211i, 211SB

GEAR CASE

SERIAL NUMBERS:		SERIAL NUMBERS:	
SRM-210:	08075195 - 08999999	SRM-210SB:	10001197 - 10999999
SRM-210:	10001506 - 10999999	SRM-211:	09004756 - 09999999
SRM-210i:	08002838 - 08999999	SRM-211i:	09001144 - 09999999
SRM-210i:	10001141 - 10999999	SRM-211SB:	09003375 - 09999999
SRM-210SB:	08003130- 09999999		

ITEM	PART NUMBER	QTY	DESCRIPTION	REMARKS
1	P021008180	1	GEAR HOUSING ASY	INCLUDES ITEMS 2-18
2	61030044830	1	GEAR SET	
3	90070600010	1	CIRCLIP 10	
4	90070200022	1	CIRCLIP 22	
5	9406306900	1	BEARING, BALL 6900Z	
6	9406006900	1	BEARING, BALL 6900	
7	C535000210	1	PLATE, ADAPTER - UPPER	
8	90070200032	1	CIRCLIP 32	
9	V340000130	1	WASHER	
10	90081206201	1	BEARING, BALL 6201	
11	C534000270	1	SHAFT, P.T.O.	
12	9406000609	1	BEARING, BALL 609	
13	61023904130	2	SHIM WASHER	
14	C531000310	1	HOUSING, GEAR	
15	90024205010	1	SCREW 5X10	
16	61043450031	1	BOLT 8X8	
17	90010005035	2	BOLT 5X35	
18	90060000005	2	WASHER 5	

SERIAL NUMBERS: ALL



**SERIAL NUMBERS: ALL**

ITEM	PART NUMBER	QTY	DESCRIPTION	REMARKS
1	P021001392	1	SHIELD ASY	INCLUDES ITEMS 2-6
2	90023805016	2	SCREW 5X16	
3	69901644330	1	CUTTER	
4	90050000005	2	NUT 5	
5	C552000110	1	BRACKET, SHIELD	
6	90023805016	3	SCREW 5X16	
7	89751801131	2	TOOL, BAR	
8	89561203430	1	TOOL, L-WRENCH - 3mm	
9	89561000130	1	TOOL, L-WRENCH - 4mm	
10	89511200330	1	TOOL, SPANNER - 8X10	
11	X602000020	1	TOOL, WRENCH W/SCREWDRIVER	

MODELS: SRM-210 i, 211 i

12	X047000110	1	TWO LINE RAPID LOADER ATTACHMENT	INCLUDES ITEM 13-15
13	P022001070	1	TOP COVER	
14	P022001080	2	EYELET (3 PER PACKAGE)	
15	P022001090	1	REPAIR KIT - INCLUDES 3 EA - CAM, SHAFT, SPRING & 6 EA - SCREW	
16	V307000080	1	WASHER 10	
17	90051300010	1	LOCKNUT	
18	90030020022	1	SPLIT PIN 2X22	BULK OPTION: 89850201130 (10 PER PACKAGE)
19	89751801131	2	TOOL, BAR	
20	X602000030	1	WRENCH	

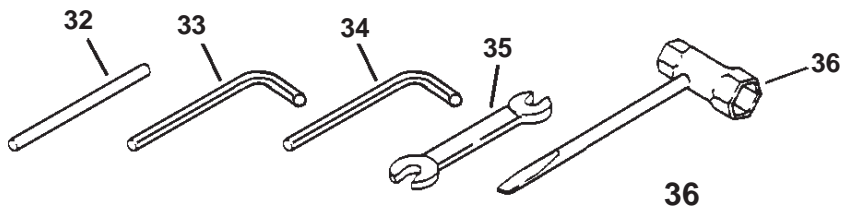
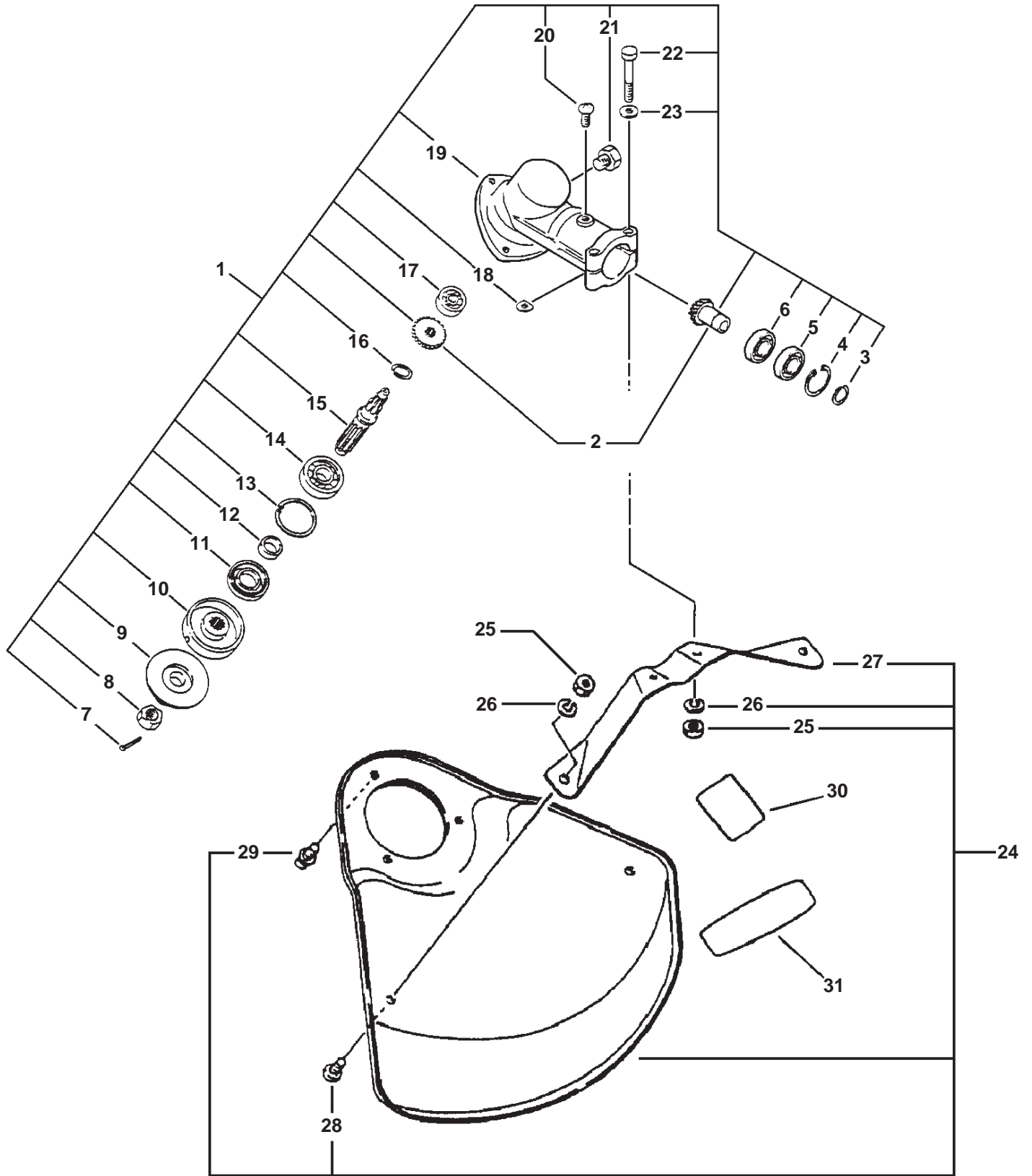
RAPID LOADER PRECUT LINE

21	102202952	1	LINE, CUTTING - (10 PER PACKAGE)	
21	102212952	1	LINE, CUTTING - (20 PER PACKAGE)	
21	102222952	1	LINE, CUTTING - (50 PER PACKAGE)	

# SRM-210U, 211U

GEAR CASE, METAL SHIELD, TOOLS

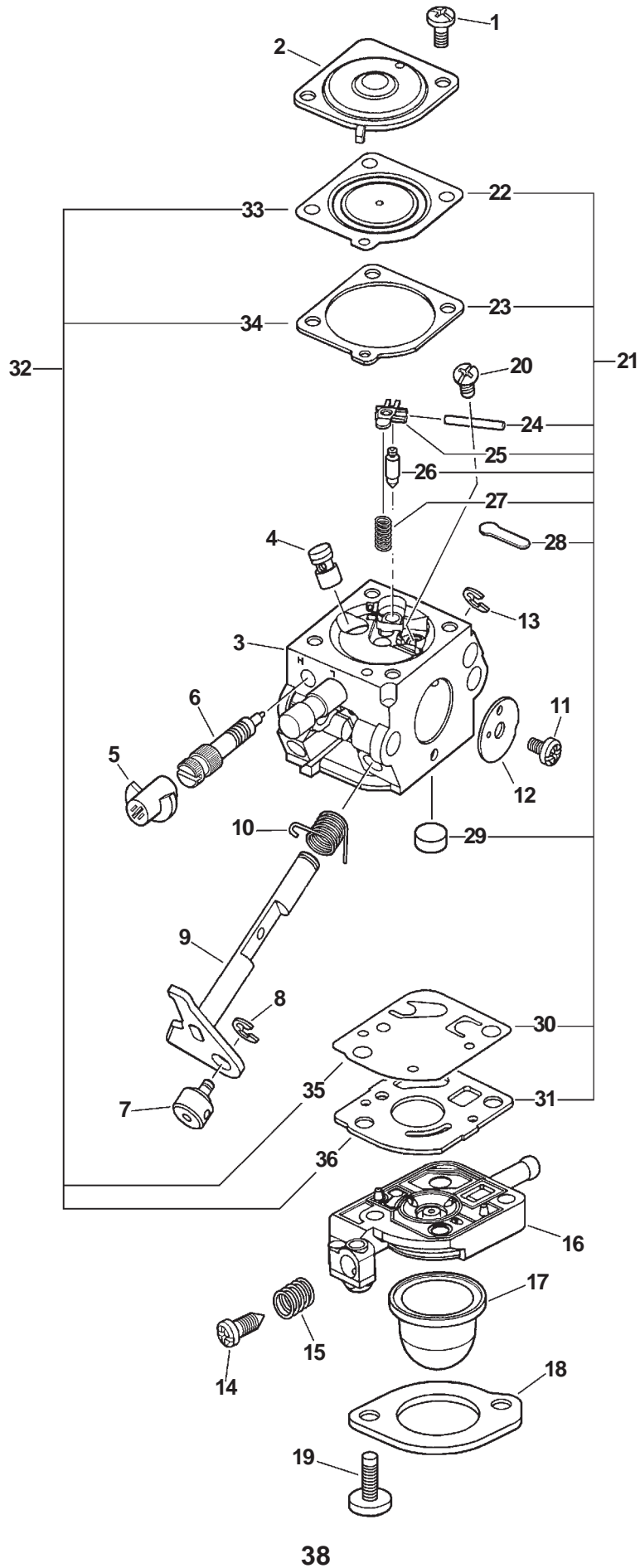
**SERIAL NUMBERS: ALL**



**SERIAL NUMBERS: ALL**

ITEM	PART NUMBER	QTY	DESCRIPTION	REMARKS
1	61040240930	1	GEAR HOUSING ASY	INCLUDES ITEMS 2-23
2	61030044830	1	BEVEL GEAR SET	
3	90070600010	1	CIRCLIP 10	
4	90070200022	1	CIRCLIP 22	
5	90085806900	1	BEARING, BALL 6900	
6	90085506900	1	BEARING, BALL 6900	
7	90030020022	1	SPLIT PIN 2X22	BULK OPTION: 89850201130 (10 PER PACKAGE)
8	90051100010	1	NUT 10 - LEFT HANDED	
9	61031404131	1	PLATE, ADAPTER - LOWER	
10	C535000160	1	PLATE, ADAPTER - UPPER	
11	61041307130	1	OIL SEAL	
12	61031507130	1	SPACER	
13	90070200032	1	CIRCLIP 32	
14	9403536201	1	BEARING, BALL 6201	
15	61036008931	1	SHAFT, P.T.O.	
16	90070600012	1	CIRCLIP 12	
17	90080000609	1	BEARING, BALL 609	
18	61023904130	2	WASHER, SHIM	
19	61046027431	1	CASE, GEAR	
20	90024205010	1	SCREW 5X10	
21	90010008008	1	BOLT 8X8	
22	90010005035	2	BOLT 5X35	
23	90060000005	2	WASHER	
24	69900023431	1	SHIELD ASY	INCLUDES ITEMS 25-29
25	90050000005	4	NUT 5	
26	90060500005	4	SPRING WASHER 5	
27	69901523431	1	BRACKET, SHIELD	
28	90022005008	2	SCREW 5X8	
29	90024205010	3	SCREW 5X10	
30	89011848830	1	LABEL, ECHO	
31	89016841031	1	LABEL, CAUTION	
32	89751801131	1	TOOL, BAR	
33	89561203430	1	TOOL, L-WRENCH - 3mm	
34	89561000130	1	TOOL, L-WRENCH - 4mm	
35	89511200330	1	TOOL, SPANNER - 8X10	
36	X602000020	1	TOOL, WRENCH W/SCREWDRIVER	

SERIAL NUMBERS: 02001001-02999999

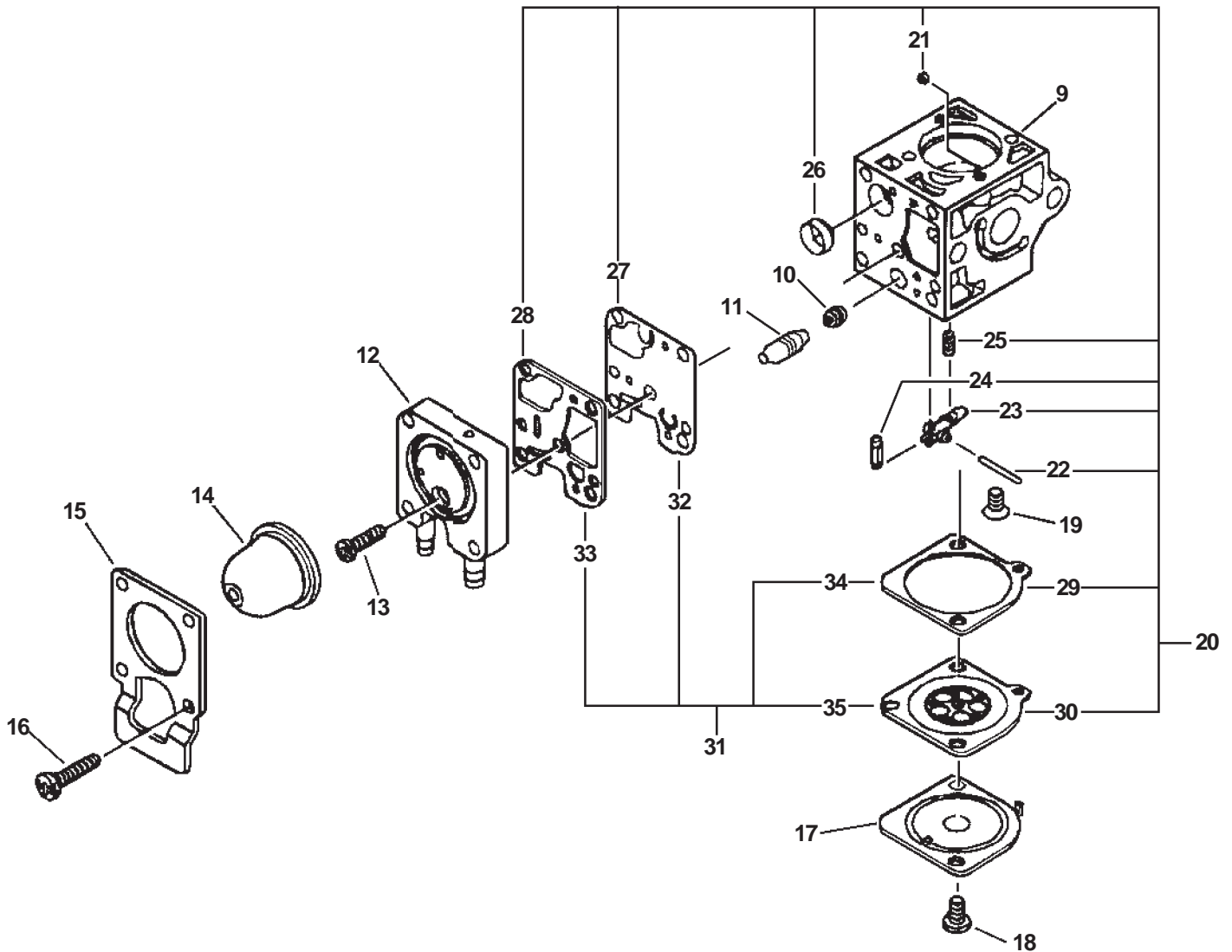
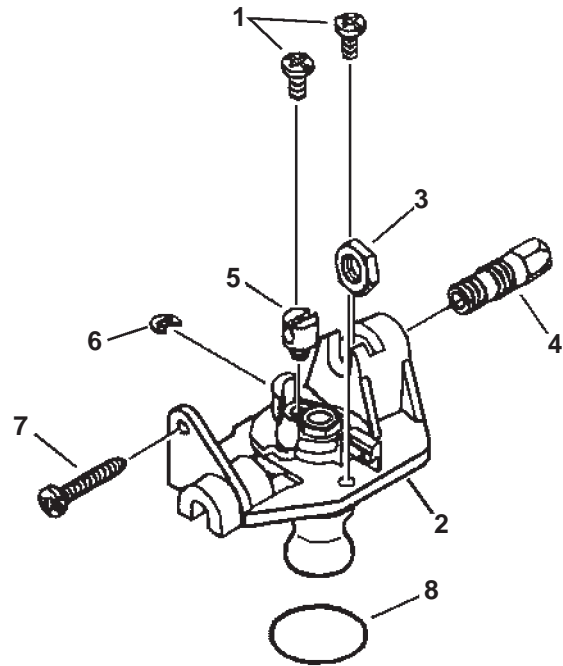


**SERIAL NUMBERS: 02001001-02999999**

ITEM	PART NUMBER	QTY	DESCRIPTION	REMARKS
	A021000110	1	CARBURETOR--CIU-K58	
1	12534452130	2	SCREW, METERING DIAPHRAGM COVER	
2	12534213210	1	COVER, METERING DIAPHRAGM	
3	-----	1	BODY, CARBURETOR	NOT AVAILABLE SEPARATELY
4	12537613120	1	NOZZLE, CHECK VALVE	
5	12532908560	1	CAP, LIMITER - HIGH SPEED	
6	P005000400	1	NEEDLE - HIGH SPEED	
7	12537242030	1	SWIVEL	
8	12532713930	1	CLIP, SWIVEL	
9	P005000390	1	SHAFT, THROTTLE	
10	12531342030	1	SPRING, THROTTLE RETURN	
11	12531413930	1	SCREW, THROTTLE VALVE	
12	12531649030	1	VALVE, THROTTLE	
13	12532715130	1	CLIP, THROTTLE SHAFT	
14	12533406960	1	SCREW, IDLE ADJUST	
15	12533306960	1	SPRING, IDLE ADJUST	
16	12538313310	1	BASE, PURGE	
17	12538108660	1	PUMP, PURGE	
18	12536311610	1	RETAINER, PURGE PUMP	
19	12531011610	2	SCREW, PURGE BASE	
20	12533942030	1	SCREW, METERING LEVER PIN	
21	P005000580	1	REPAIR KIT	INCLUDES ITEM 22-31
22	-----	1	DIAPHRAGM, METERING	
23	-----	1	GASKET, METERING DIAPHRAGM	
24	-----	1	PIN, METERING ARM	
25	-----	1	LEVER, METERING	
26	-----	1	VALVE, INLET NEEDLE	
27	-----	1	SPRING, METERING LEVER	
28	-----	1	WELCH PLUG	
29	-----	1	STRAINER	
30	-----	1	DIAPHRAGM, FUEL PUMP	
31	-----	1	GASKET, FUEL PUMP	
32	12530313310	1	DIAPHRAGM/GASKET KIT	INCLUDES ITEM 33-36
33	-----	1	DIAPHRAGM, METERING	
34	-----	1	GASKET, METERING DIAPHRAGM	
35	-----	1	DIAPHRAGM, FUEL PUMP	
36	-----	1	GASKET, FUEL PUMP	

**SERIAL NUMBERS:**

SRM-210:	05001001 - 05182134
SRM-210:	07001001 - 07004317
SRM-210i:	05001001 - 05019324
SRM-210i:	07001001 - 07002473
SRM-210SB:	05001001 - 05011573
SRM-210U:	05001001 - 05003972
SRM-210U:	07001001 - 07001448
SRM-211:	06001001 - 06012395
SRM-211i:	06001001 - 06001688
SRM-211SB:	06001001 - 06001203



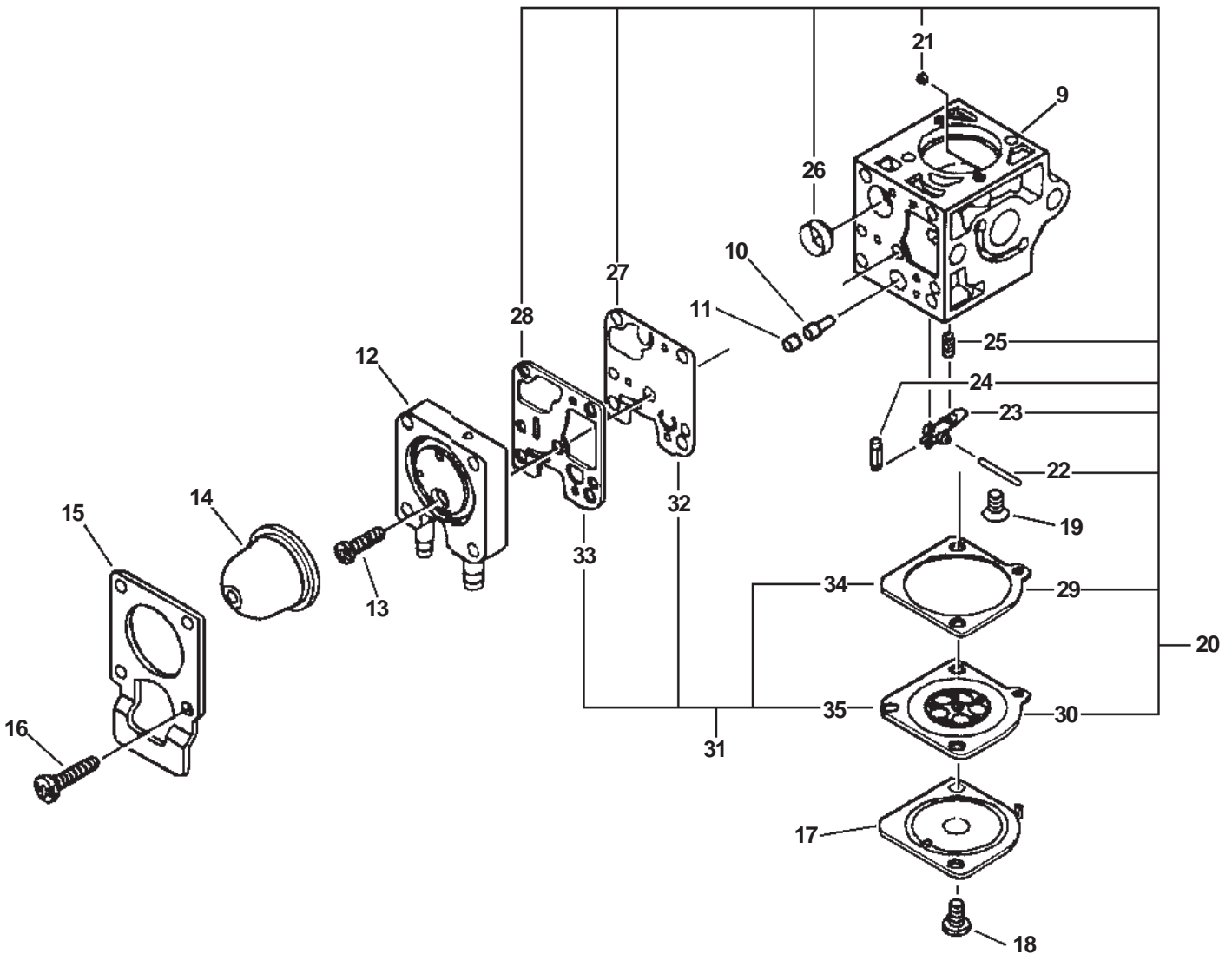
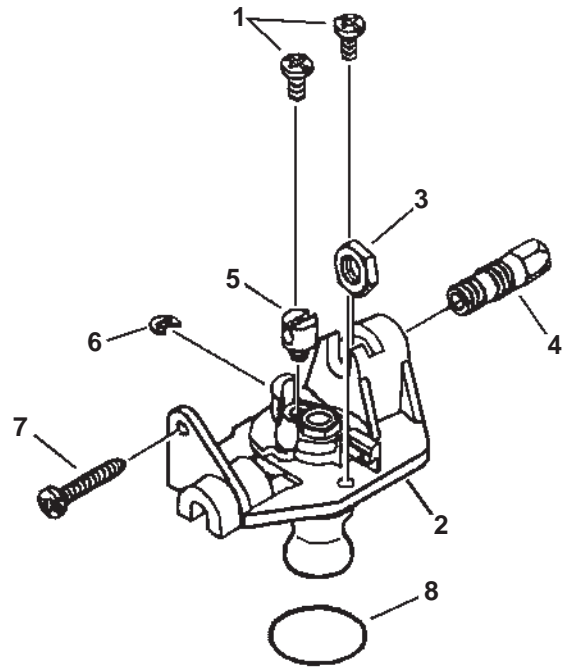


SERIAL NUMBERS:		SERIAL NUMBERS:	
SRM-210:	05001001 - 05182134	SRM-210U:	05001001 - 05003972
SRM-210:	07001001 - 07004318	SRM-210U:	07001001 - 07001448
SRM-210i:	05001001 - 05019324	SRM-211:	06001001 - 06012395
SRM-210i:	07001001 - 07002473	SRM-211i:	06001001 - 06001688
SRM-210SB:	05001001 - 05011573	SRM-211SB:	06001001 - 06001203

ITEM	PART NUMBER	QTY	DESCRIPTION	REMARKS
	A021000382	1	CARBURETOR -- RB-K66B	SUPERSEDES: A021000380 CARBURETOR -- RB-K66 & A021000381 CARBURETOR -- RB-K66A
1	12534413931	3	SCREW, ROTOR COVER ASY	
2	P005000690	1	ROTOR COVER ASY	
3	P005000120	1	NUT, CABLE	
4	P005000700	1	SCREW, CABLE ADJUST	
5	P005000180	1	SWIVEL	
6	P005000190	1	E-RING	
7	P005000100	1	SCREW, THROTTLE ADJUST	
8	P005000280	1	O-RING	
9	-----	1	BODY, CARBURETOR	NOT AVAILABLE SEPARATELY
10	P005000570	1	JET	
11	P005000370	1	PLUG KIT	
12	P005000930	1	PRIMER BASE ASY	
13	P005000270	1	SCREW, PRIMER BASE ASY	
14	12538108660	1	PUMP, PRIMING	
15	P005000250	1	RETAINER, PRIMING PUMP	
16	12531061830	4	SCREW, PRIMING PUMP RETAINER	
17	12534252130	1	COVER, DIAPHRAGM	
18	12534452130	2	SCREW, DIAPHRAGM COVER	
19	12533942030	1	SCREW, METERING LEVER PIN	
20	P005000950	1	REPAIR KIT	INCLUDES ITEMS 21-30
21	P005001000	1	ROLLER, GUIDE	
22	-----	1	PIN, METERING LEVER	
23	-----	1	LEVER, METERING	
24	-----	1	VALVE, INLET NEEDLE	
25	-----	1	SPRING, METERING LEVER	
26	-----	1	STRAINER	
27	-----	1	DIAPHRAGM, PUMP	
28	-----	1	GASKET, PUMP	
29	-----	1	GASKET, METERING	
30	-----	1	DIAPHRAGM, METERING	
31	P005000550	1	DIAPHRAGM/GASKET KIT	INCLUDES ITEMS 32-35
32	-----	1	DIAPHRAGM, PUMP	
33	-----	1	GASKET, PUMP	
34	-----	1	GASKET, METERING	
35	-----	1	DIAPHRAGM, METERING	

**SERIAL NUMBERS:**

- SRM-210: 05182135 - 05281189
- SRM-210i: 05019325 - 05022115
- SRM-210i: 07002474 - 07003361
- SRM-210SB: 05011574 - 05016345
- SRM-210U: 05003973 - 05004672
- SRM-210U: 07001449 - 07001504
- SRM-211: 06012396 - 06016955
- SRM-211U: 06001001 - 06001028

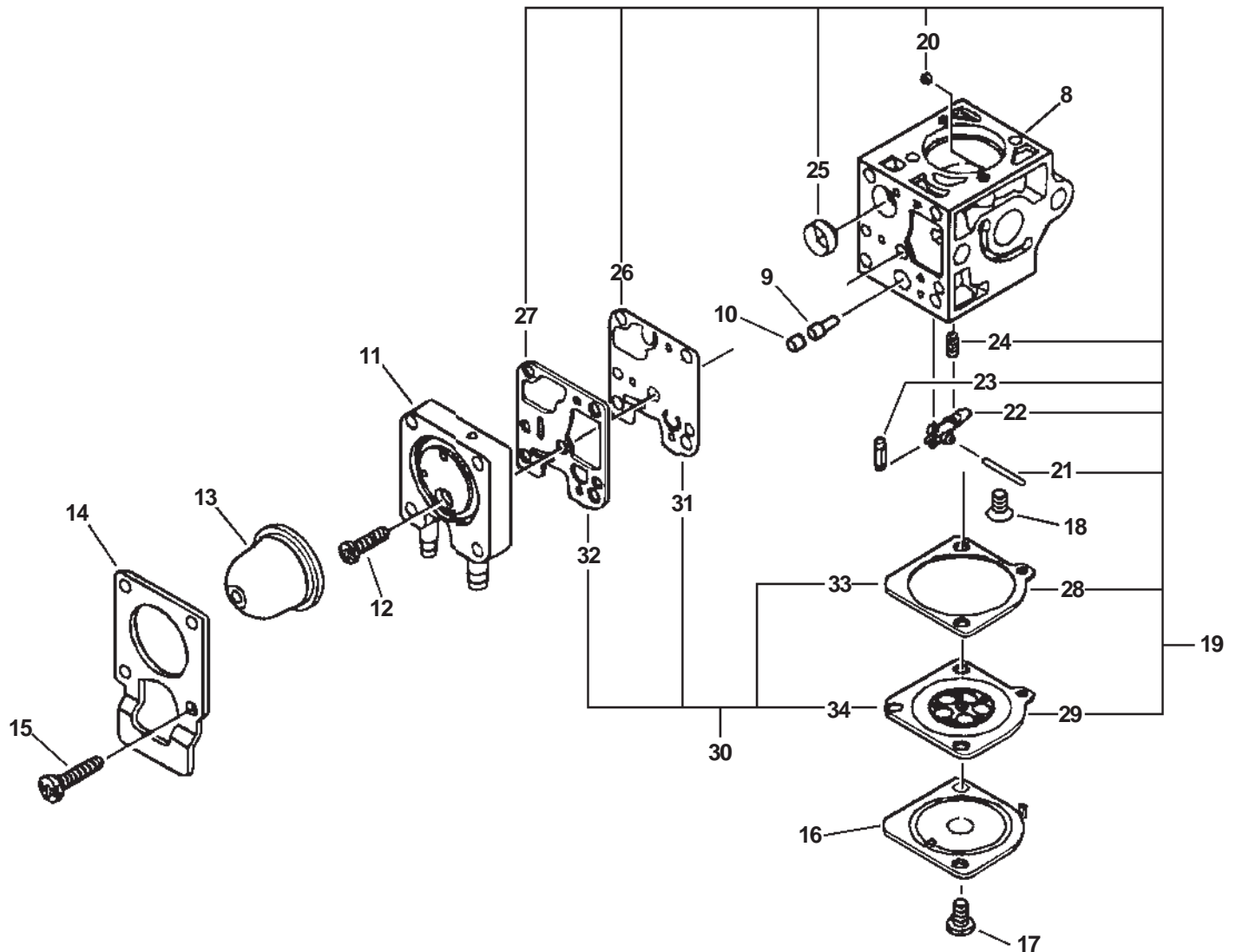
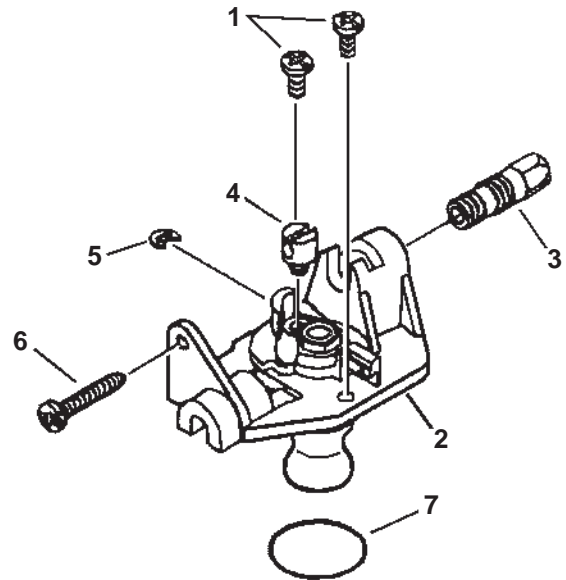


SERIAL NUMBERS:		SERIAL NUMBERS:	
SRM-210:	05182135 - 05281189	SRM-210U:	05003973 - 05004672
SRM-210i:	05019325 - 05022115	SRM-210U:	07001449 - 07001504
SRM-210i:	07002474 - 07003361	SRM-211:	06012396 - 06016955
SRM-210SB:	05011574 - 05016345	SRM-211U:	06001001 - 06001028

ITEM	PART NUMBER	QTY	DESCRIPTION	REMARKS
	A021000720	1	CARBURETOR--RB-K70	
1	12534413931	3	SCREW, ROTOR COVER ASY	
2	P005001230	1	ROTOR COVER ASY	
3	P005000120	1	NUT, CABLE	
4	P005000700	1	SCREW, CABLE ADJUST	
5	P005001240	1	SWIVEL	
6	P005000190	1	E-RING	
7	P005000100	1	SCREW, THROTTLE ADJUST	
8	P005000280	1	O-RING	
9	-----	1	BODY, CARBURETOR	NOT AVAILABLE SEPARATELY
10	P005001260	1	NEEDLE - HIGH SPEED	
11	P005001270	1	PLUG	
12	P005000930	1	PRIMER BASE ASY	
13	P005000270	1	SCREW, PRIMER BASE ASY	
14	12538108660	1	PUMP, PRIMING	
15	P005000250	1	RETAINER, PRIMING PUMP	
16	12531061830	4	SCREW, PRIMING PUMP RETAINER	
17	12534252130	1	COVER, DIAPHRAGM	
18	12534452130	2	SCREW, DIAPHRAGM COVER	
19	12533942030	1	SCREW, METERING LEVER PIN	
20	P005000950	1	REPAIR KIT	INCLUDES ITEMS 21-30
21	P005001000	1	ROLLER, GUIDE	
22	-----	1	PIN, METERING LEVER	
23	-----	1	LEVER, METERING	
24	-----	1	VALVE, INLET NEEDLE	
25	-----	1	SPRING, METERING LEVER	
26	-----	1	STRAINER	
27	-----	1	DIAPHRAGM, PUMP	
28	-----	1	GASKET, PUMP	
29	-----	1	GASKET, METERING	
30	-----	1	DIAPHRAGM, METERING	
31	P005000550	1	DIAPHRAGM/GASKET KIT	INCLUDES ITEMS 32-35
32	-----	1	DIAPHRAGM, PUMP	
33	-----	1	GASKET, PUMP	
34	-----	1	GASKET, METERING	
35	-----	1	DIAPHRAGM, METERING	

**SERIAL NUMBERS:**

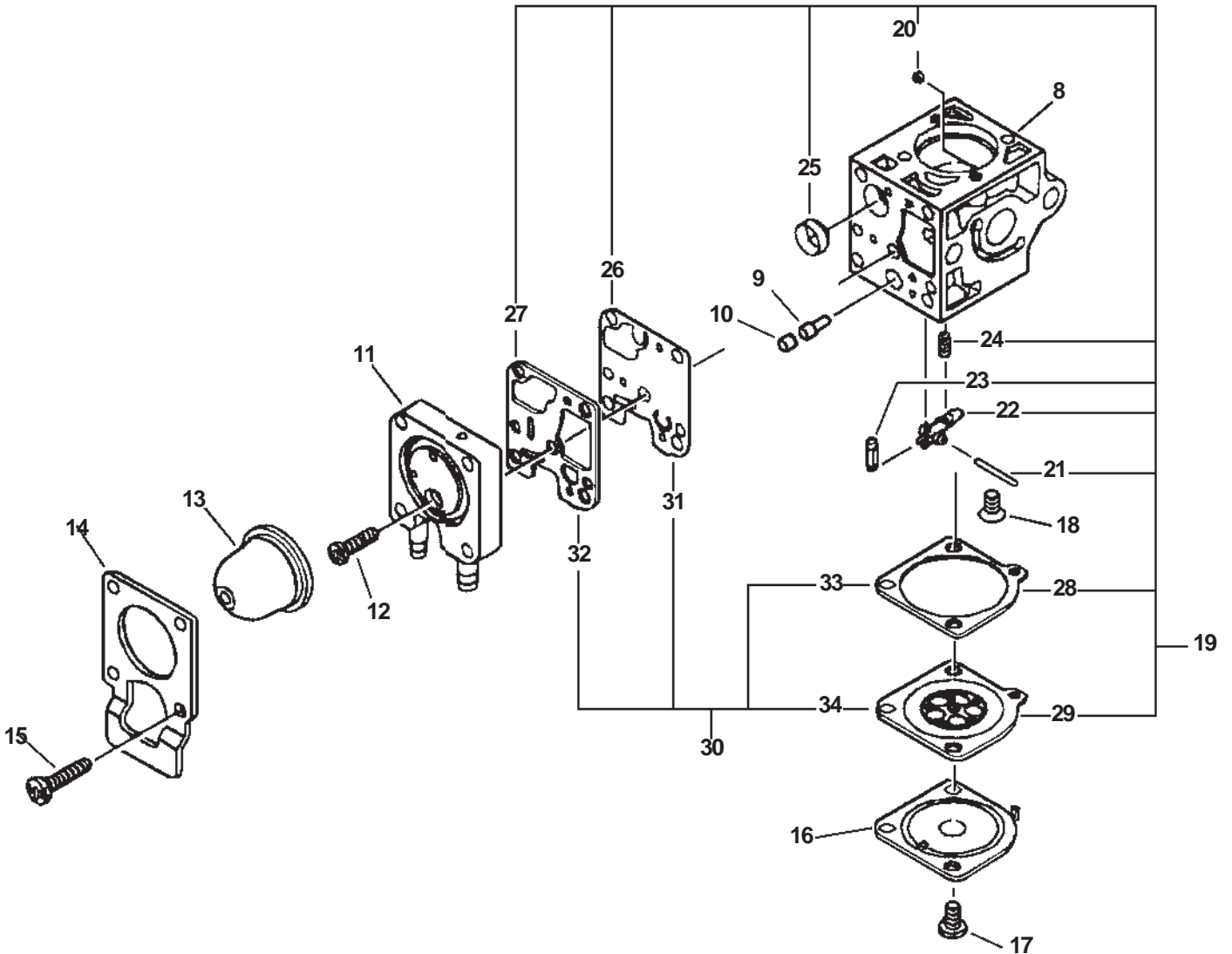
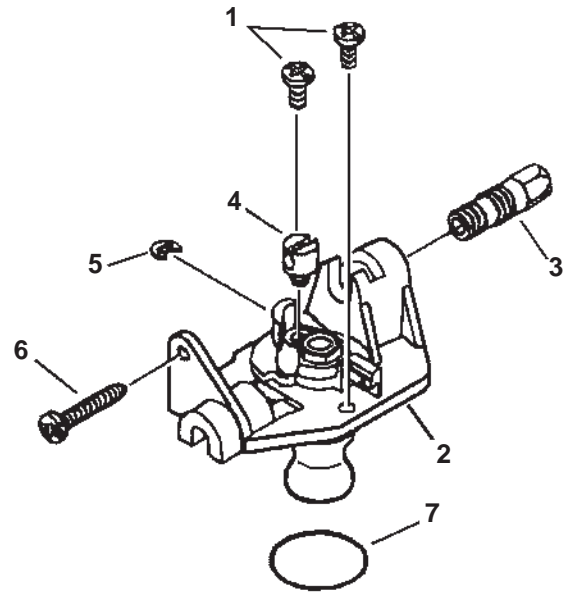
- SRM-210: 05281190 - 05999999
- SRM-210: 07004318 - 07999999
- SRM-210i: 05022116 - 05999999
- SRM-210i: 07003362 - 07999999
- SRM-210SB: 05016346 - 05999999
- SRM-210SB: 07001001 - 07999999
- SRM-210U: 05004673 - 05999999
- SRM-210U: 07001505 - 07999999
- SRM-211: 06016956 - 06999999
- SRM-211i: 06001689 - 06999999
- SRM-211SB: 06001204 - 06999999
- SRM-211U: 06001029 - 06999999



SERIAL NUMBERS:		SERIAL NUMBERS:	
SRM-210:	05281190 - 05999999	SRM-210U:	05004673 - 05999999
SRM-210:	07004318 - 07999999	SRM-210U:	07001505 - 07999999
SRM-210i:	05022116 - 05999999	SRM-211:	06016956 - 06999999
SRM-210i:	07003362 - 07999999	SRM-211i:	06001689 - 06999999
SRM-210SB:	05016346 - 05999999	SRM-211SB:	06001204 - 06999999
SRM-210SB:	07001001 - 07999999	SRM-211U:	06001029 - 06999999

ITEM	PART NUMBER	QTY	DESCRIPTION	REMARKS
	A021000721	1	CARBURETOR -- RB-K70A	
1	12534413931	3	SCREW, ROTOR COVER ASY	
2	P005001620	1	ROTOR COVER ASY	
3	P005001330	1	SCREW, CABLE ADJUST	
4	P005001240	1	SWIVEL	
5	P005000190	1	E-RING	
6	P005000100	1	SCREW, THROTTLE ADJUST	
7	P005000280	1	O-RING	
8	-----	1	BODY, CARBURETOR	NOT AVAILABLE SEPARATELY
9	P005001260	1	NEEDLE - HIGH SPEED	
10	P005001270	1	PLUG	
11	P005000930	1	PRIMER BASE ASY	
12	P005000270	1	SCREW, PRIMER BASE ASY	
13	12538108660	1	PUMP, PRIMING	
14	P005000250	1	RETAINER, PRIMING PUMP	
15	12531061830	4	SCREW, PRIMING PUMP RETAINER	
16	12534252130	1	COVER, DIAPHRAGM	
17	12534452130	2	SCREW, DIAPHRAGM COVER	
18	12533942030	1	SCREW, METERING LEVER PIN	
19	P005000950	1	REPAIR KIT	INCLUDES ITEMS 20-29
20	P005001000	1	ROLLER, GUIDE	
21	-----	1	PIN, METERING LEVER	
22	-----	1	LEVER, METERING	
23	-----	1	VALVE, INLET NEEDLE	
24	-----	1	SPRING, METERING LEVER	
25	-----	1	STRAINER	
26	-----	1	DIAPHRAGM, PUMP	
27	-----	1	GASKET, PUMP	
28	-----	1	GASKET, METERING	
29	-----	1	DIAPHRAGM, METERING	
30	P005000550	1	DIAPHRAGM/GASKET KIT	INCLUDES ITEMS 31-34
31	-----	1	DIAPHRAGM, PUMP	
32	-----	1	GASKET, PUMP	
33	-----	1	GASKET, METERING	
34	-----	1	DIAPHRAGM, METERING	

SERIAL NUMBERS: 08001001-10999999



**SERIAL NUMBERS: 08001001-10999999**

ITEM	PART NUMBER	QTY	DESCRIPTION	REMARKS
	A021000740	1	CARBURETOR--RB-K75	
1	12534413931	3	SCREW, ROTOR COVER ASY	
2	P005001320	1	ROTOR COVER ASY	
3	P005001330	1	SCREW, CABLE ADJUST	
4	P005001240	1	SWIVEL	
5	P005000190	1	E-RING	
6	P005000100	1	SCREW, THROTTLE ADJUST	
7	P005000280	1	O-RING	
8	-----	1	BODY, CARBURETOR	NOT AVAILABLE SEPARATELY
9	P005001260	1	NEEDLE - HIGH SPEED	
10	P005001270	1	PLUG	
11	P005000930	1	PRIMER BASE ASY	
12	P005000270	1	SCREW, PRIMER BASE ASY	
13	12538108660	1	PUMP, PRIMING	
14	P005000250	1	RETAINER, PRIMING PUMP	
15	12531061830	4	SCREW, PRIMING PUMP RETAINER	
16	12534252130	1	COVER, DIAPHRAGM	
17	12534452130	3	SCREW, DIAPHRAGM COVER	
18	12533942030	1	SCREW, METERING LEVER PIN	
19	P005001670	1	REPAIR KIT	INCLUDES ITEMS 20-29
20	P005001000	1	ROLLER, GUIDE	
21	-----	1	PIN, METERING LEVER	
22	-----	1	LEVER, METERING	
23	-----	1	VALVE, INLET NEEDLE	
24	-----	1	SPRING, METERING LEVER	
25	-----	1	STRAINER	
26	-----	1	DIAPHRAGM, PUMP	
27	-----	1	GASKET, PUMP	
28	-----	1	GASKET, METERING	
29	-----	1	DIAPHRAGM, METERING	
30	P005001660	1	DIAPHRAGM/GASKET KIT	INCLUDES ITEMS 31-34
31	-----	1	DIAPHRAGM, PUMP	
32	-----	1	GASKET, PUMP	
33	-----	1	GASKET, METERING	
34	-----	1	DIAPHRAGM, METERING	