

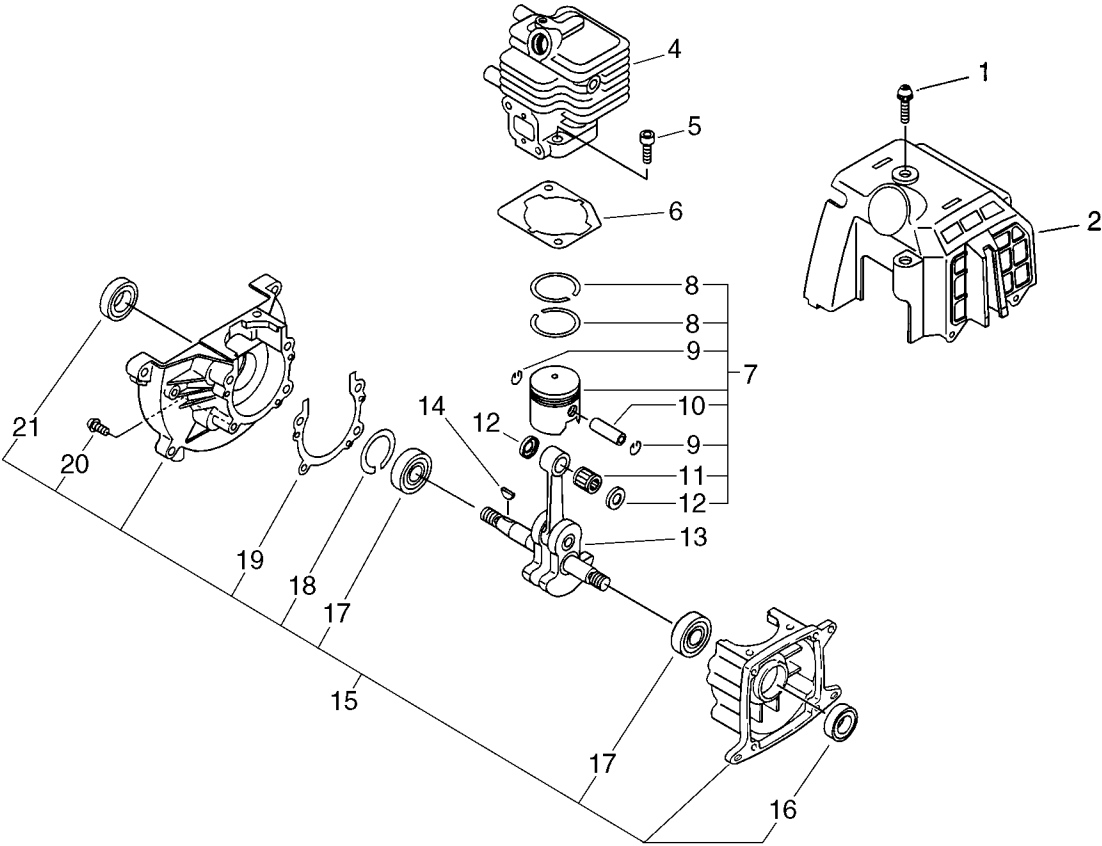


PARTS CATALOG

**SOUTH AMERICA
POWER SPRAYER
SHP-800**

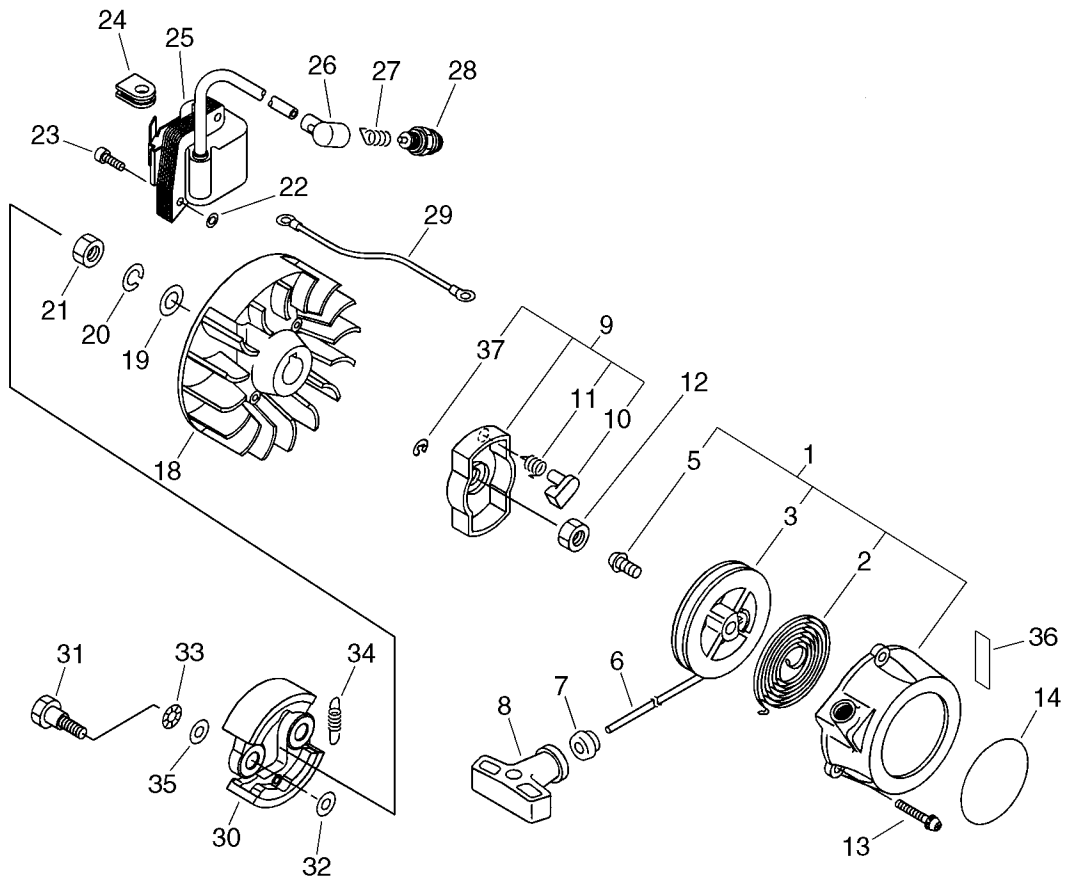
ECHO, INCORPORATED

400 OAKWOOD ROAD
LAKE ZURICH, ILLINOIS 60047
WWW.ECHO-USA.COM



CYLINDER, CRANKCASE, PISTON**SHP-800**

KEY	PART NUMBER	QTY	DESCRIPTION	REMARKS
1	90024205014	1	SCREW 5*14	
2	A160000030	1	COVER,CYLINDER	
3	V353000020	1	COLLAR,5	
4	10101161230	1	CYLINDER	
5	90016205022	2	BOLT, H.S. 5*22	
6	10101055930	1	GASKET, CYL. BASE	
7	10000055932	1	PISTON KIT	
8	+ 10001105330	2	RING, PISTON	
9	+ 10001504630	2	CIRCLIP, PISTON PIN	
10	+ 10001322330	1	PIN, PISTON	
11	+ V553000020	1	BEARING,NEEDLE 8	
12	+ 10001455930	2	SPACER, PISTON PIN	
13	10010055930	1	CRANKSHAFT ASSY	
14	10014212330	1	KEY, WOODRUFF	
15	10020457031	1	CRANKCASE KIT	
16	+ 10021305530	1	OILSEAL	
17	+ 90080036001	2	BEARING, BALL 6001	
18	+ 90070200028	1	CIRCLIP 28	
19	+ 10024255930	1	GASKET, CRANKCASE	
20	+ 90024205025	4	SCREW 5*25	
21	+ 10021228230	1	OILSEAL ISCD 12*28*7	

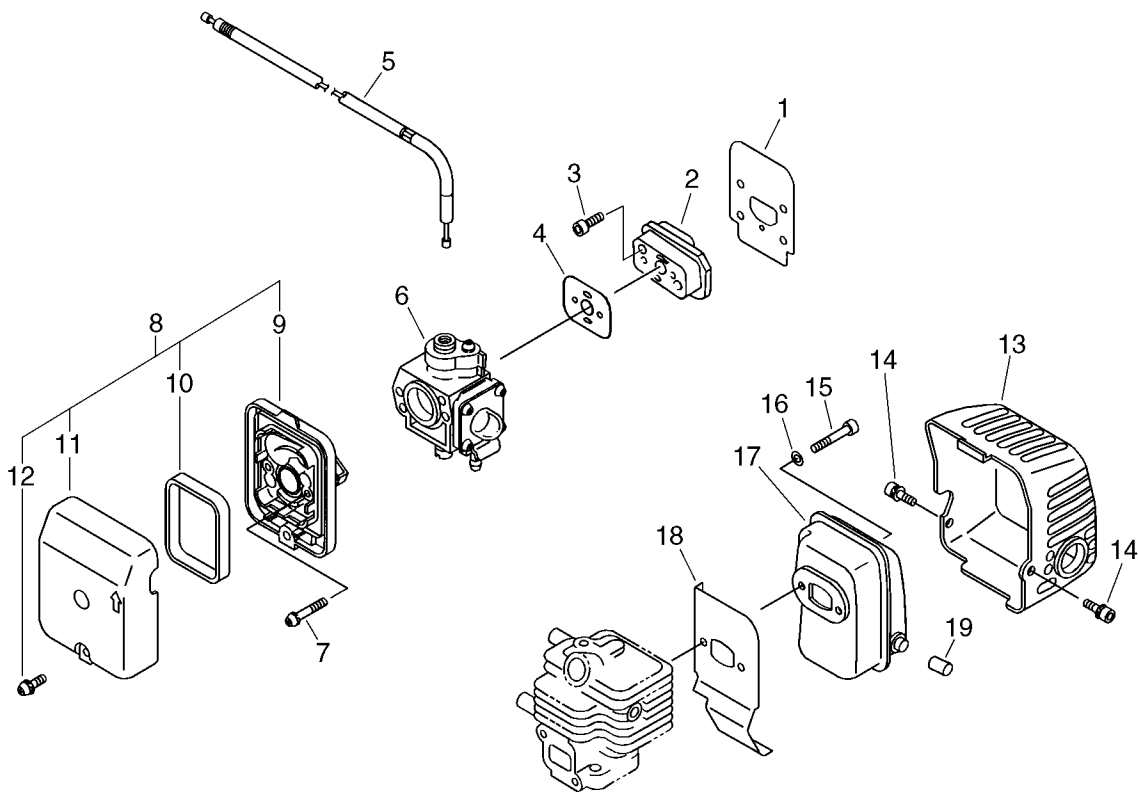


STARTER, MAGNETO**SHP-800**

KEY	PART NUMBER	QTY	DESCRIPTION	REMARKS
1	17720055931	1	STARTER ASY	
2	+ 17722040630	1	SPRING, REWIND	
3	+ 17721540630	1	DRUM, STARTER	
5	+ 17723644330	1	SCREW	
6	+ 17722603930	1	ROPE, STARTER	
7	+ 17722742030	1	GUIDE, ROPE	
8	+ 17722827030	1	GRIP, STARTER	
9	17720240630	1	PAWL ASSY, STARTER	
10	+ 17721840630	1	PAWL, STARTER	
11	+ 17723440630	1	SPRING, RETURN	
12	90050200008	1	NUT 8 (3N)	
13	90023904014	4	SCREW 4*14	
14	89005356230	1	LABEL, KIORITZ 47MM	
18	15280156530	1	ROTOR, MAGNETO	
19	90060000008	1	WASHER 8	
20	90060500008	1	WASHER, SPRING 8	
21	90050200008	1	NUT 8 (3N)	
22	15011709130	2	SPACER	
23	90016204022	2	BOLT, H.S. 4*22	
24	15611228230	1	GROMMET	
25	15262655932	1	COIL, IGNITION	
26	15901203433	1	CAP, SPARK PLUG	
27	15901103432	1	COIL, SPARK PLUG CAP	
28	15901019630	1	PLUG, SPARK (BPM-7Y)	
29	16201055430	1	LEAD	
30	17500955930	2	SHOE, CLUTCH	
31	17504656030	2	SHAFT, CLUTCH	
32	V304000010	2	WASHER, CIRCULAR 6	
33	17504956030	2	WASHER	
34	V451000040	1	SPRING, TENSION	
35	V306000020	2	WASHER, CIRCULAR 8	
36	89016006361	1	LABEL, CAUTION	
37	+ 90070000004	1	E-RING 4	

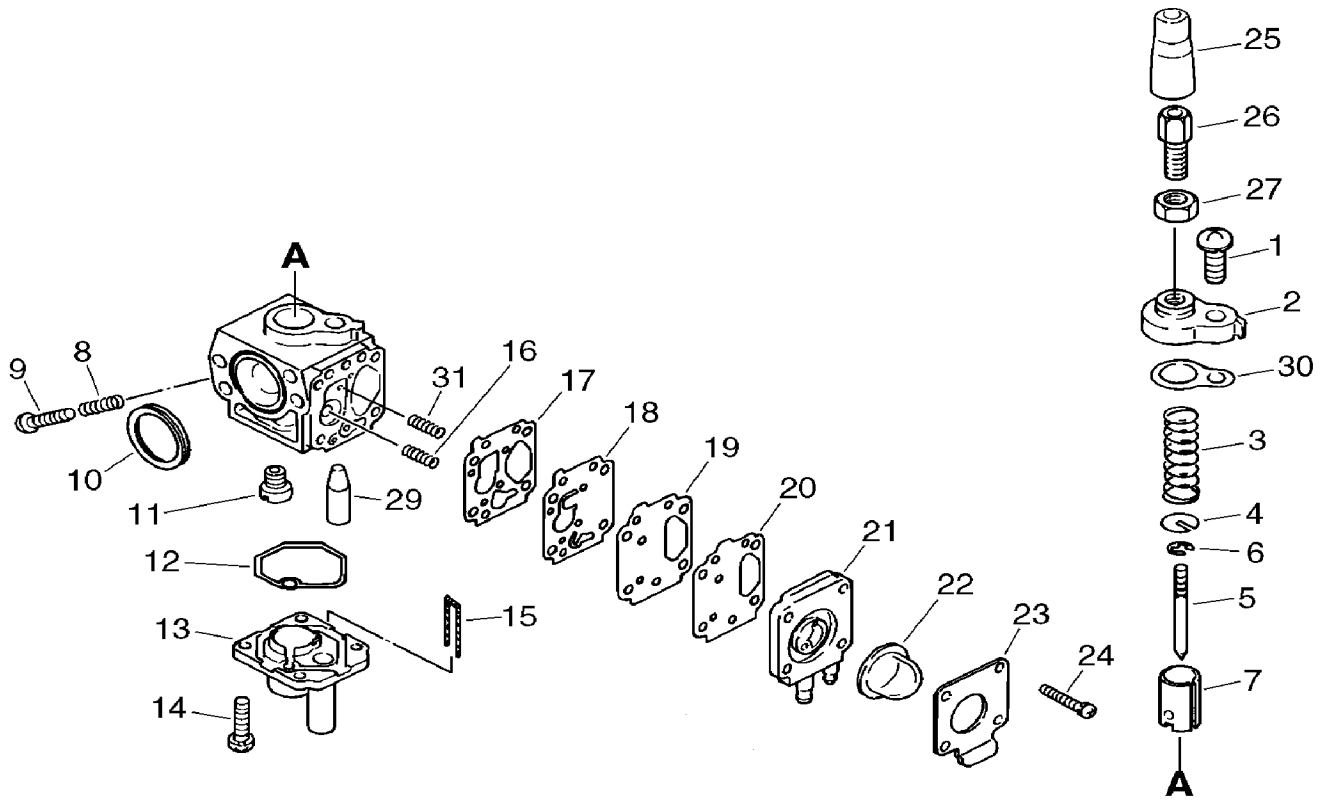
SHP-800

AIR CLEANER, MUFFLER



AIR CLEANER, MUFFLER**SHP-800**

KEY	PART NUMBER	QTY	DESCRIPTION	REMARKS
1	13001055930	1	GASKET, INTAKE	
2	13001756431	1	INSULATOR	
3	90016205025	2	BOLT, H.S. 5*25	
4	13001056330	1	GASKET, INTAKE	
5	70613005230	1	THROTTLE WIRE	
6	12420013220	1	CARBURETOR	
7	90024205050	2	SCREW 5*50	
8	13030013411	1	CLEANER ASM., AIR	
9	+ 13030713410	1	CASE, AIR CLEANER	
10	+ 13031013410	1	FILTER, AIR	
11	+ 13030813410	1	COVER, AIR CLEANER	
12	+ 90023805016	1	SCREW 5*16	
13	14562156530	1	COVER, MUFFLER	
14	90010605008	2	BOLT, H.S. 5* 8	
15	90010505055	2	BOLT, H.S. 5*55	
16	90060000005	2	WASHER 5	
17	14561062630	1	MUFFLER	
18	14551055932	1	GASKET, MUFFLER	
19	G231000021	1	PIPE,EXHAUST	

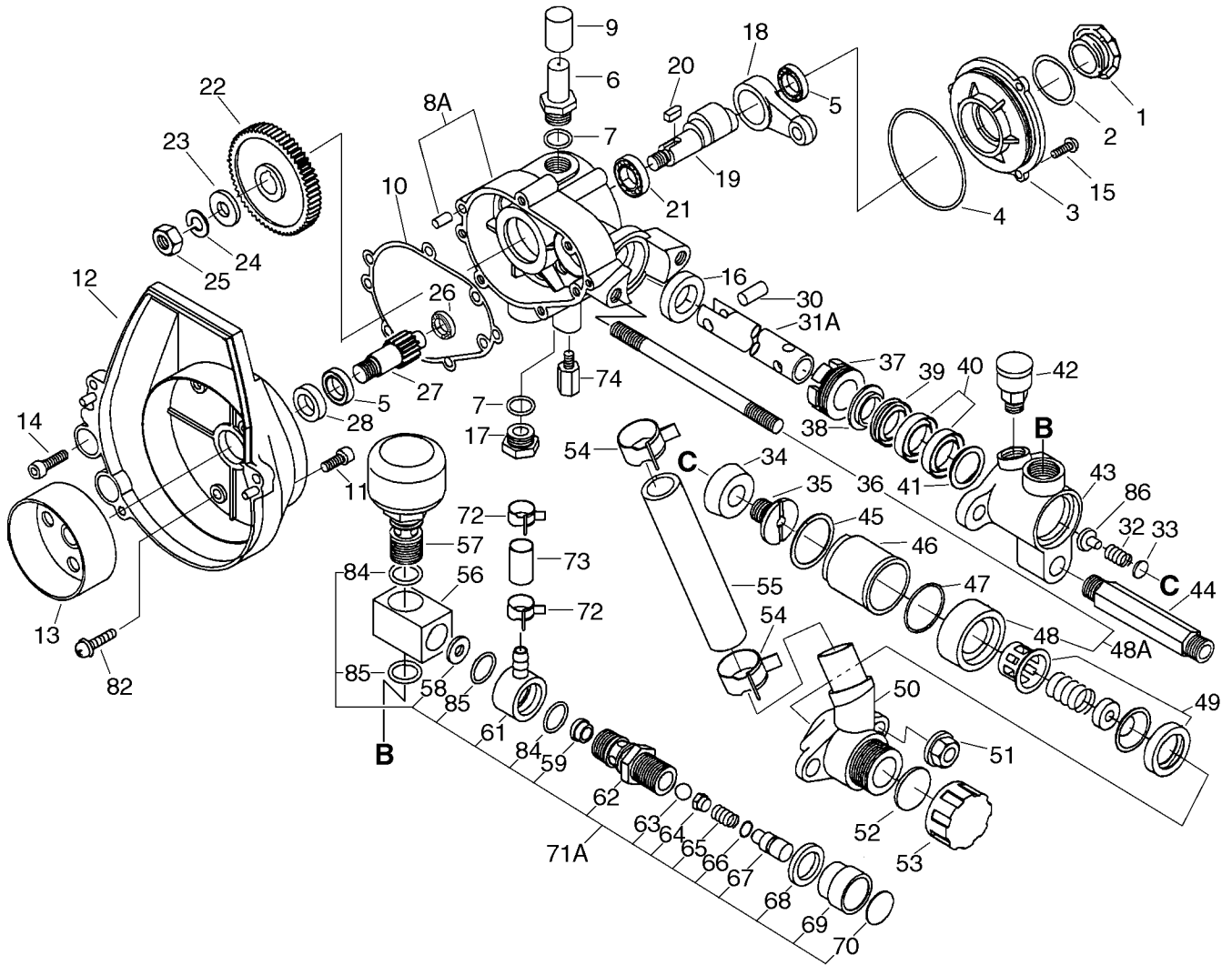


CARBURETOR**SHP-800**

KEY	PART NUMBER	QTY	DESCRIPTION	REMARKS
	12420013220	1	CARBURETOR	
1	+ 90024105016	1	SCREW 5*16 (W/W,SW)	
2	+ 12411313410	1	COVER, TOP	
3	+ 12411405530	1	SPRING, THROTTLE	
4	+ 12411505530	1	SEAT, SPRING	
5	+ 12431749930	1	NEEDLE, JET	
6	+ 12411605530	1	E-RING	
7	+ 12431857030	1	VALVE, THROTTLE	
8	+ 12416011120	1	SPRING, IDLE ADJUST	
9	+ 12412913410	1	SCREW	
10	+ 12414913410	1	GASKET, FRANGE	
11	+ 12412215310	1	JET, MAIN	
12	+ 12412313410	1	GASKET, CHAMBER	
13	+ 12412413410	1	CHAMBER, FLOAT	
14	+ 90024103010	4	SCREW 3*10 (W/SW)	
15	+ 12418213410	1	WIRE, DRAIN	
16	+ 12435550130	1	SPRING, ADJUSTMENT	
17	+ 12436112710	1	GASKET	
18	+ 12436412710	1	DIAPHRAGM, FUEL PUMP	
19	+ 12436212710	1	BODY, FUEL PUMP	
20	+ 12436312710	1	GASKET, FUEL PUMP	
21	+ 12436513410	1	COVER, PUMP	
22	+ 12438012710	1	PUMP, PRIMING	
23	+ 12434212710	1	PLATE, PUMP	
24	+ 90024103014	4	SCREW 3*14 (W/SW)	
25	+ 12417413410	1	CAP, RUBBER	
26	+ 12415813410	1	ADJUST,CABLE	
26	+ 12415813411	1	ADJUSTER, CABLE	
27	+ 12411105810	1	NUT	
29	+ 12416213410	1	JET, NEEDLE	
30	+ 12417213410	1	PACKING	
31	+ 12436754230	1	SPRING,BACK UP	

SHP-800

PRESSURE PUMP SINGLE NOZZLE TYPE



PRESSURE PUMP SINGLE NOZZLE TYPE

SHP-800

KEY	PART NUMBER	QTY	DESCRIPTION	REMARKS
1	70615001951	1	OIL GAUGE	
2	70615002781	1	O-RING	
3	70602003742	1	GEAR CASE LID	
4	70602004970	1	O-RING	
5	90080006001	2	BEARING, BALL 6001	
6	70602006920	1	OILING BOLT	
7	90072230112	2	O-RING	
8A	70602008A43	1	PUMP BODY W/PIN	Single Nozzle
9	70602009970	1	CAP	Single Nozzle
10	70602010700	1	GASKET	Single Nozzle
11	90016205018	4	BOLT, H.S. 5*18	Single Nozzle
12	70602012241	1	FAN COVER	Single Nozzle
13	70602013250	1	CLUTCH DRUM	Single Nozzle
14	90016205025	2	BOLT, H.S. 5*25	Single Nozzle
15	90024204012	3	SCREW 4*12	Single Nozzle
16	70602016970	1	OIL SEAL	Single Nozzle
17	70602017920	1	DRAIN CAP	Single Nozzle
18	70602018220	1	CONNECTING ROD	Single Nozzle
19	70602019230	1	CRANK SHAFT	Single Nozzle
20	70602020030	1	KEY	Single Nozzle
21	90081006201	1	BEARING, BALL 6201	Single Nozzle
22	70602022231	1	SPUR GEAR	Single Nozzle
23	90060000008	1	WASHER 8	Single Nozzle
24	90060500008	1	WASHER, SPRING 8	Single Nozzle
25	70602025950	1	NUT	Single Nozzle
26	90080000609	1	BEARING, BALL 609	Single Nozzle
27	70602027231	1	PINION SHAFT	Single Nozzle
28	70602028970	1	OIL SEAL	Single Nozzle
30	70602030230	1	PISTON PIN	Single Nozzle
31A	70602031A13	1	PLUNGER W/SPRINGSEA	Single Nozzle
32	70602032010	1	VALVE SPRING	Single Nozzle
33	70602033710	1	DISK, VALVE	Single Nozzle
34	70602034770	1	PISTON PACKING	Single Nozzle
35	70602035911	1	VALVE SEAT	Single Nozzle
36	+ 70602036951	2	STUD BOLT	Single Nozzle
37	70602037620	1	NUT GLAND	Single Nozzle
38	70602038720	1	L-PACKING	Single Nozzle
39	70602039720	1	GREASE RING	Single Nozzle
40	70602040771	1	V-PACKING SET	Single Nozzle

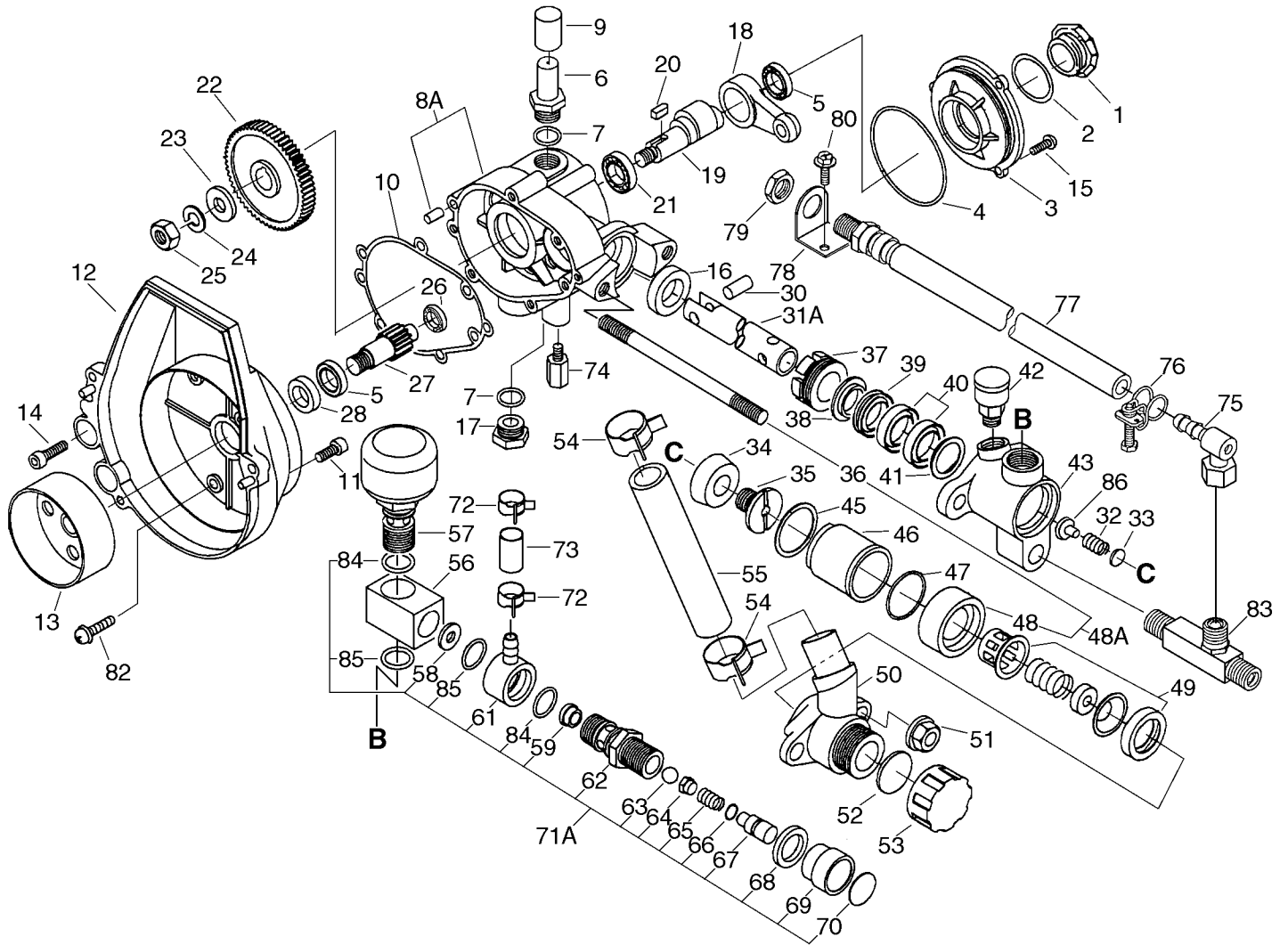
PRESSURE PUMP SINGLE NOZZLE TYPE

SHP-800

KEY	PART NUMBER	QTY	DESCRIPTION	REMARKS
41	70602041720	1	ADAPTER	Single Nozzle
42	70602042040	1	GREASE CUP	Single Nozzle
43	70602043421	1	CYLINDER	Single Nozzle
44	70602045022	1	JOINT	Single Nozzle
45	70602046780	1	PACKING	Single Nozzle
46	70602047412	1	SLEEVE	Single Nozzle
47	70602048970	1	O-RING	Single Nozzle
48	+ 70602049821	1	VALVE CASING	Single Nozzle
48A	70602049A20	1	VALVE CASING ASY	Single Nozzle
49	70602050000	1	VALVE ASSY	Single Nozzle
50	70615050520	1	CYLINDER HEAD	Single Nozzle
51	70602052950	2	NUT	Single Nozzle
52	25021011610	1	GASKET DRAIN	Single Nozzle
53	25021111610	1	CAP, DRAIN	Single Nozzle
54	70615054931	2	BAND	Single Nozzle
55	70615055770	1	SUCTION HOSE	Single Nozzle
56	70602055621	1	CONNECTOR	Single Nozzle
57	70602056411	1	AIR CHAMBER	Single Nozzle
58	+ 70602061760	1	WASHER	Single Nozzle
59	+ 70602062012	1	VALVE SEAT	Single Nozzle
61	+ 70602064620	1	VALVE CASING	Single Nozzle
62	+ 70602065621	1	SPRING CASING	Single Nozzle
63	+ 70602066011	1	BALL VALVE	Single Nozzle
64	+ 70602067820	1	SPRING SEAT	Single Nozzle
65	+ 70602068010	1	PRESSURE SPRING	Single Nozzle
66	+ 90072000007	1	O-RING 7	Single Nozzle
67	+ 70602070620	1	SPRING SEAT	Single Nozzle
68	+ 70602071920	1	LICK NUT	Single Nozzle
69	+ 70602072920	1	REGULATOR CAP	Single Nozzle
70	+ 70602073091	1	REGULATOR LABEL	Single Nozzle
71A	70602060A22	1	REGULATOR ASY	Single Nozzle
72	13201314010	2	BAND	Single Nozzle
73	70615073760	1	RETURN HOSE	Single Nozzle
74	70615074950	1	ADAPTER	Single Nozzle
82	90024205025	4	SCREW 5*25	Single Nozzle
84	+ 90072001250	2	O-RING 12.5	Single Nozzle
85	+ 90072000016	2	O-RING 16	Single Nozzle
86	+ 70615086060	1	SPRING SEAT	Single Nozzle

SHP-800

PRESSURE PUMP TWIN NOZZLE TYPE



PRESSURE PUMP TWIN NOZZLE TYPE

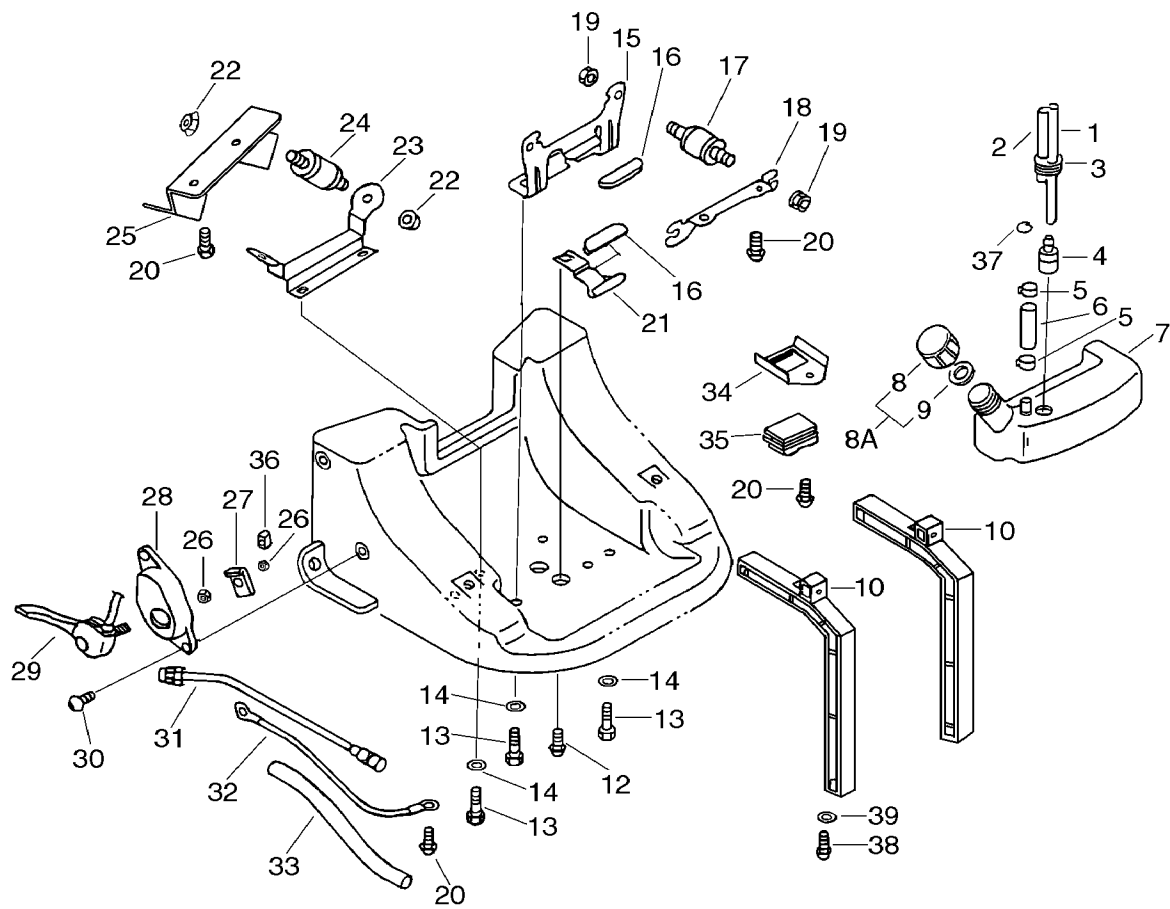
SHP-800

KEY	PART NUMBER	QTY	DESCRIPTION	REMARKS
1	70615001951	1	OIL GAUGE	Twin Nozzle
2	70615002781	1	O-RING	Twin Nozzle
3	70602003742	1	GEAR CASE LID	Twin Nozzle
4	70602004970	1	O-RING	Twin Nozzle
5	90080006001	2	BEARING, BALL 6001	Twin Nozzle
6	70602006920	1	OILING BOLT	Twin Nozzle
7	90072230112	2	O-RING	Twin Nozzle
8A	70602008A43	1	PUMP BODY W/PIN	Twin Nozzle
9	70602009970	1	CAP	Twin Nozzle
10	70602010700	1	GASKET	Twin Nozzle
11	90016205018	4	BOLT, H.S. 5*18	Twin Nozzle
12	70602012241	1	FAN COVER	Twin Nozzle
13	70602013250	1	CLUTCH DRUM	Twin Nozzle
14	90016205025	2	BOLT, H.S. 5*25	Twin Nozzle
15	90024204012	3	SCREW 4*12	Twin Nozzle
16	70602016970	1	OIL SEAL	Twin Nozzle
17	70602017920	1	DRAIN CAP	Twin Nozzle
18	70602018220	1	CONNECTING ROD	Twin Nozzle
19	70602019230	1	CRANK SHAFT	Twin Nozzle
20	70602020030	1	KEY	Twin Nozzle
21	90081006201	1	BEARING, BALL 6201	Twin Nozzle
22	70602022231	1	SPUR GEAR	Twin Nozzle
23	90060000008	1	WASHER 8	Twin Nozzle
24	90060500008	1	WASHER, SPRING 8	Twin Nozzle
25	70602025950	1	NUT	Twin Nozzle
26	90080000609	1	BEARING, BALL 609	Twin Nozzle
27	70602027231	1	PINION SHAFT	Twin Nozzle
28	70602028970	1	OIL SEAL	Twin Nozzle
30	70602030230	1	PISTON PIN	Twin Nozzle
31A	70602031A13	1	PLUNGER W/SPRINGSEAT	Twin Nozzle
32	70602032010	1	VALVE SPRING	Twin Nozzle
33	70602033710	1	DISK, VALVE	Twin Nozzle
34	70602034770	1	PISTON PACKING	Twin Nozzle
35	70602035911	1	VALVE SEAT	Twin Nozzle
36	+ 70602036951	2	STUD BOLT	Twin Nozzle
37	70602037620	1	NUT GLAND	Twin Nozzle
38	70602038720	1	L-PACKING	Twin Nozzle
39	70602039720	1	GREASE RING	Twin Nozzle
40	70602040771	1	V-PACKING SET	Twin Nozzle
41	70602041720	1	ADAPTER	Twin Nozzle
42	70602042040	1	GREASE CUP	Twin Nozzle
43	70602043421	1	CYLINDER	Twin Nozzle

PRESSURE PUMP TWIN NOZZLE TYPE

SHP-800

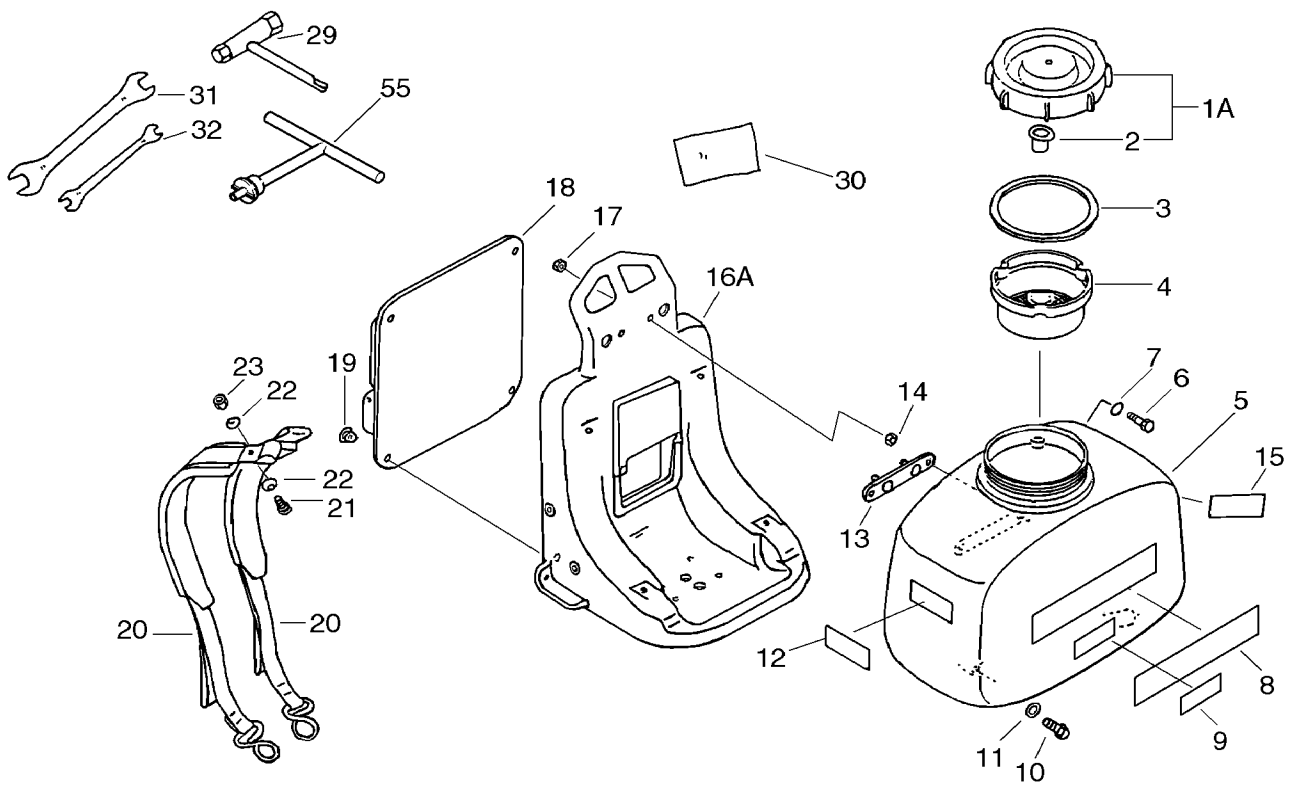
KEY	PART NUMBER	QTY	DESCRIPTION	REMARKS
45	70602046780	1	PACKING	Twin Nozzle
46	70602047412	1	SLEEVE	Twin Nozzle
47	70602048970	1	O-RING	Twin Nozzle
48	+ 70602049821	1	VALVE CASING	Twin Nozzle
48A	70602049A20	1	VALVE CASING ASY	Twin Nozzle
49	70602050000	1	VALVE ASSY	Twin Nozzle
50	70615050520	1	CYLINDER HEAD	Twin Nozzle
51	70602052950	2	NUT	Twin Nozzle
52	25021011610	1	GASKET DRAIN	Twin Nozzle
53	25021111610	1	CAP, DRAIN	Twin Nozzle
54	70615054931	2	BAND	Twin Nozzle
55	70615055770	1	SUCTION HOSE	Twin Nozzle
56	70602055621	1	CONNECTOR	Twin Nozzle
57	70602056411	1	AIR CHAMBER	Twin Nozzle
58	+ 70602061760	1	WASHER	Twin Nozzle
59	+ 70602062012	1	VALVE SEAT	Twin Nozzle
61	+ 70602064620	1	VALVE CASING	Twin Nozzle
62	+ 70602065621	1	SPRING CASING	Twin Nozzle
63	+ 70602066011	1	BALL VALVE	Twin Nozzle
64	+ 70602067820	1	SPRING SEAT	Twin Nozzle
65	+ 70602068010	1	PRESSURE SPRING	Twin Nozzle
66	+ 90072000007	1	O-RING 7	Twin Nozzle
67	+ 70602070620	1	SPRING SEAT	Twin Nozzle
68	+ 70602071920	1	LICK NUT	Twin Nozzle
69	+ 70602072920	1	REGULATOR CAP	Twin Nozzle
70	+ 70602073091	1	REGULATOR LABEL	Twin Nozzle
71A	70602060A22	1	REGULATOR ASY	Twin Nozzle
72	13201314010	2	BAND	Twin Nozzle
73	70615073760	1	RETURN HOSE	Twin Nozzle
74	70615074950	1	ADAPTER	Twin Nozzle
75	70615075720	1	JOINT, CONNECTOR	Twin Nozzle
76	70615076950	1	BAND,SPRING	Twin Nozzle
77	70615077760	1	HOSE,SHORT	Twin Nozzle
78	70615078450	1	PLATE,FIXING	Twin Nozzle
79	70615079950	1	NUT	Twin Nozzle
80	90024205014	2	SCREW 5*14	Twin Nozzle
82	90024205025	4	SCREW 5*25	Twin Nozzle
83	70615083020	1	3-HEAD JOINT	Twin Nozzle
84	+ 90072001250	2	O-RING 12.5	Twin Nozzle
85	+ 90072000016	2	O-RING 16	Twin Nozzle
86	+ 70615086060	1	SPRING SEAT	Twin Nozzle



FRAME

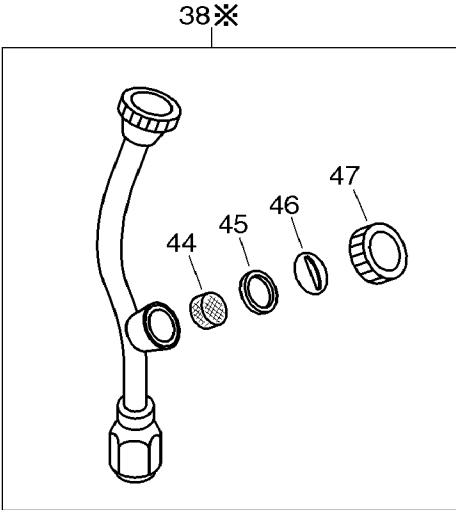
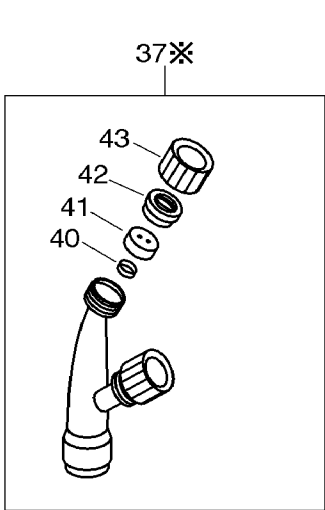
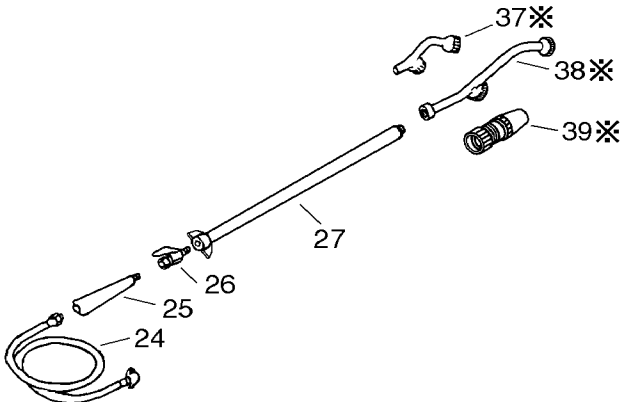
SHP-800

KEY	PART NUMBER	QTY	DESCRIPTION	REMARKS
1	43721015130	1	PIPE, OIL	
2	70616002061	1	FUEL HOSE	
3	13211544330	1	GROMMET	
4	13120519830	1	STRAINER, FUEL	
5	13201314010	2	BAND	
6	70616006062	1	FUEL OUTLET HOSE	
7	70616007560	1	FUEL TANK	
8	+ 70604031761	1	FUEL TANK CAP	
8A	70616009A70	1	FUEL TANK CAP ASY	
9	+ 70616009771	1	PACKING,F.TANK CAP	
10	70616010460	2	KNAPSACK FRAME	
12	90024206015	4	SCREW 6*15	
13	90010406016	4	BOLT 6*16 SUS	
14	70616014950	4	WASHER	
15	70616015430	1	BRACKET,FUEL TANK	
16	70616016770	2	CUSHION,FUEL TANK	
17	70616017870	2	CUSHION	
18	70616018450	1	BRACKET ENGINE	
19	90051800005	4	NUT, FLANGE 5	
20	90024205012	5	SCREW 5*12	
21	70616021450	1	BRACKET FUEL TANK	
22	90051800006	4	NUT, FLANGE 6	
23	70616023450	1	PLATE,ANGLE	
24	70604041870	2	CUSHION	
25	70616025450	1	PLATE,ANGLE	
26	90050000005	2	NUT 5	
27	70616027050	1	FIXED PLATE	
28	17812314010	1	BRACKET, THROTTLE	
29	70616029260	1	THROTTLE,CONTORL	
30	90024205020	2	SCREW 5*20	
31	70604047000	1	STOP SWITCH	
32	70616032000	1	LEAD	
33	70616033760	1	PROTECTED PIPE	
34	70616034450	1	PLATE ANGLE	
35	70616035770	1	CUSHION	
36	70616036870	1	GROMMET	
37	13201326630	1	CLIP	
38	70617010910	2	SCREW	
39	70617011850	2	WASHER	



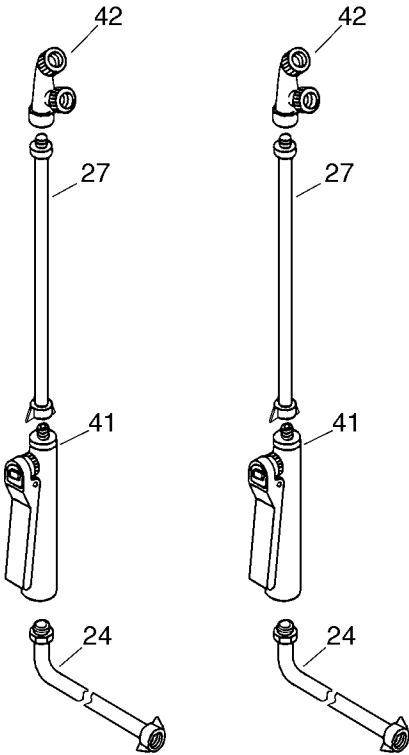
CHEMICAL TANK**SHP-800**

KEY	PART NUMBER	QTY	DESCRIPTION	REMARKS
1A	70604001A61	1	C.TANK CAP ASY	
2	+ 70604002760	1	BREATHER	
3	70604003770	1	PACKING,CH.TANK	
4	70604006661	1	FILTER,CH.TANK	
5	70617005560	1	CHEMICAL TANK	
6	25391310910	2	BOLT	
7	90072200100	2	O-RING P-10A	
8	89011812710	1	LABEL, ECHO	
9	70617009091	1	LABEL,MODEL	
10	70617010910	4	SCREW	
11	70617011850	4	WASHER	
12	70617012091	1	LABEL,CAUTION S-E	
12	70617012092	1	LABEL,CAUTION S-S	
13	70617013410	1	BRACKET TANK	
14	90051800006	2	NUT, FLANGE 6	
15	70604005091	1	LABEL,CAUTION L-E	
15	70604005092	1	LABEL,CAUTION L-S	
16A	70617016A62	1	FRAME BACKPACK ASY	
17	70617017960	2	NUT,FRANG	
18	30011114010	1	CUSHION, KNAPSACK	
19	70617019061	4	CLIP	
20	70617020080	2	HARNESS BACKPACK	
21	90021605014	2	SCREW 5*14	
22	70604020850	4	WASHER,HARNESS	
23	90056000005	2	NUT, LOCK	
29	89541010630	1	WRENCH, W/S. DRIVER	
30	70617030060	1	POLY BAG	
31	70617031030	1	SPANNER 14*17	
32	70617032030	1	SPANNER 10*12	
55	70617055030	1	TOOL, DRIVER	
55	70617055030	1	TOOL, DRIVER	



SINGLE NOZZLE**SHP-800**

KEY	PART NUMBER	QTY	DESCRIPTION	REMARKS
24	70604060762	1	SPRAY HOSE ASY	Single Nozzle
25	70604061461	1	NOZZLE GRIP	Single Nozzle
26	70604062621	1	NOZZLE VALVE	Single Nozzle
27	70617027722	1	NOZZLE PIPE	Single Nozzle
37*	70617037960	1	2NOZZLE PLASTIC D-8	Single Nozzle
38*	70617038721	1	2NOZZLE METAL	Single Nozzle
39*	70617039920	1	1 NOZZLE NO.33	Single Nozzle
40	+ 70617047620	2	SCREEN	Single Nozzle
41	+ 70617048970	2	PACKING	Single Nozzle
42	+ 70617046630	2	NOZZLE	Single Nozzle
43	+ 70617045720	2	CAP, NOZZLE	Single Nozzle
44	+ 70617047620	2	SCREEN	Single Nozzle
45	+ 70617052970	2	O-RING	Single Nozzle
46	+ 70617051631	2	NOZZLE TIP K-5	Single Nozzle
47	+ 70617050720	2	CAP, NOZZLE	Single Nozzle



TWIN NOZZLE**SHP-800**

KEY	PART NUMBER	QTY	DESCRIPTION	REMARKS
24	70604060762	2	SPRAY HOSE ASY	Twin Nozzle
27	70617027722	2	NOZZLE PIPE	Twin Nozzle
41	22440013710	2	VALVE, NOZZLE	Twin Nozzle
42	22410014011	2	NOZZLE	Twin Nozzle