

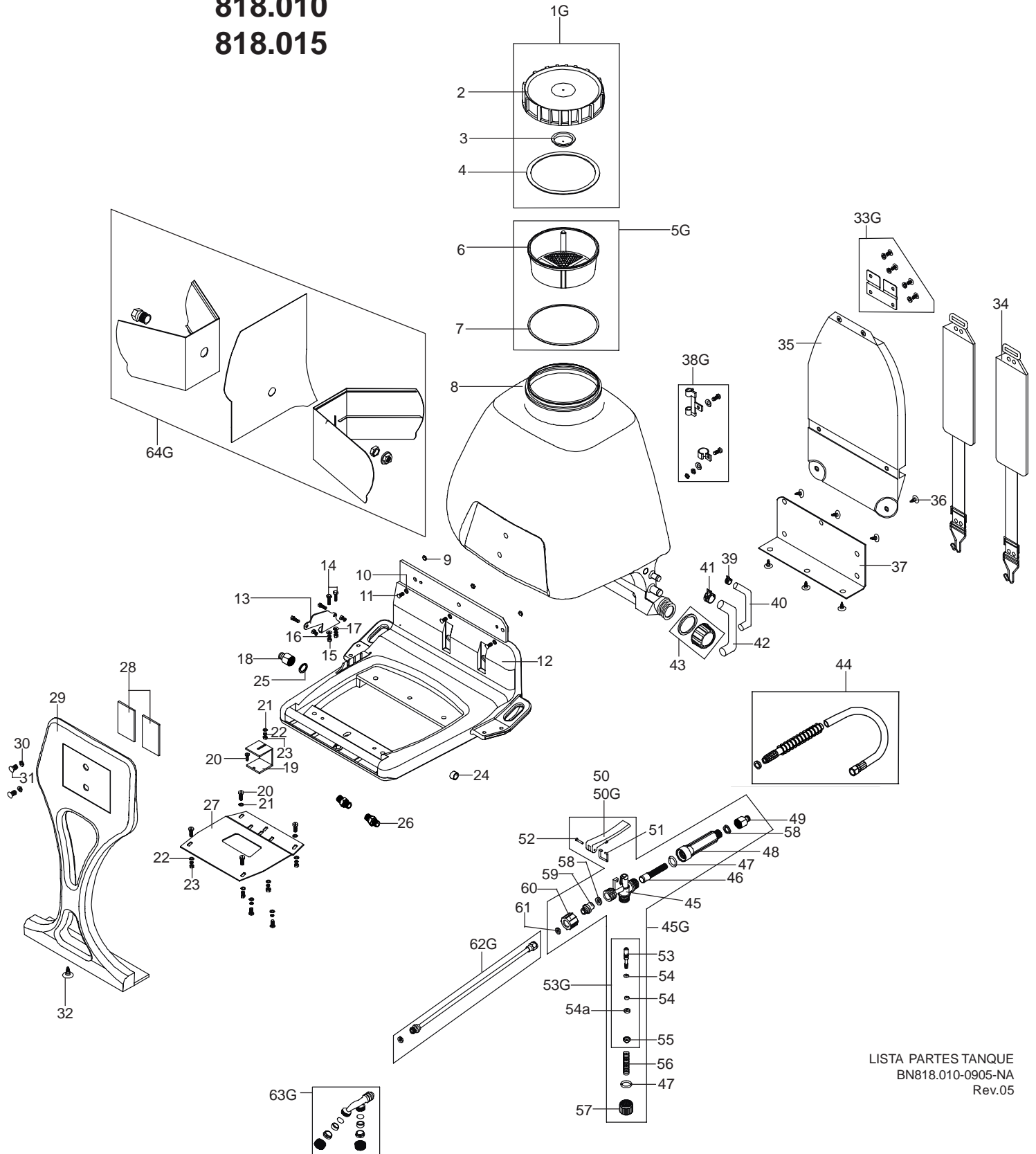
SWISSMEX

ASPERSORA MOTORIZADA

MODELOS

818.010

818.015



LISTA PARTES TANQUE
BN818.010-0905-NA
Rev.05

LISTA DE PIEZAS DE REFACCION

| No. | No. Parte | Descripción | No. | No. Parte | Descripción |
|-----|-----------|--|-----|-----------|------------------------------------|
| 1G | 818-591-C | Tapadera completa negra | 35 | 818-548 | Respaldo p/aspersora Forza |
| 2 | 818-591 | Tapa para Forza negra | 36 | 818-550 | Pija 10x3/8 tropicalizada |
| 3 | 818-504 | Tapa respiradero | 37 | 818-553 | Post-protector respaldo |
| 4 | 818-507 | Empaque para tapa Forza | 38G | 818-528-C | Sujetadores para tubo rociador |
| 5G | 818-506-C | Coladera c/empaque | 39 | 326-082 | Abrazadera SX9 10-16 |
| 6 | 818-506 | Coladera p/Forza | 40 | 818-520 | Manguera para conector «C» |
| 7 | 818-508 | Empaque p/coladera | 41 | 501-082 | Abrazadera SX 9-18 |
| 8 | 818-509 | Tanque Forza | 42 | 818-521 | Manguera conector "J" |
| 9 | 818-557 | Tuerca hexagonal M6 tropicalizada | 43 | 818-545 | Tapón completo para drene |
| 10 | 150-307 | Rondana plana 3/16 | 44 | 818-525 | Manguera for Power Sprayer |
| 11 | 818-556 | Tornillo c/queso M6 x 16 tropicalizado | 45 | 807-073 | Cuerpo para pistola 807 |
| 12 | 818-594 | Base para aspersora completa negra | 45G | 807-378-C | Pistola 807 para aspersora Forza |
| 13 | 818-685 | Base p/acelerador | 46 | 807-074 | Filtro 807 |
| 14 | 818-554 | Tornillo hexagonal M5 x 16 tropicalizado | 47 | 120-314 | Arosello para tapón - V |
| 15 | 818-553 | Tuerca Hexagonal M5 tropicalizada | 48 | 807-275 | Mango con rosca nylon |
| 16 | 818-563 | Rondana de presión M5 tropicalizada | 49 | 807-081 | Conector hembra Yamaho |
| 17 | 818-552 | Rondana plana M5 tropicalizada | 50 | 803-072 | Palanca |
| 18 | 818-527 | Adaptador bomba-manguera | 50G | 803-072-C | Palanca completa |
| 19 | 818-684 | Soporte bomba | 51 | 803-070 | Gancho para palanca |
| 20 | 818-556 | Tornillo c/queso M6x16 tropicalizado | 52 | 803-071 | Remache para palanca |
| 21 | 818-564 | Rondana plana M6 tropicalizada | 53 | 818-694 | Vástago |
| 22 | 818-559 | Rondana de presión M6 tropicalizada | 53G | 818-694-C | Vástago completo para Forza |
| 23 | 818-557 | Tuerca hexagonal M6 tropicalizada | 54 | 803-068 | Arosello para vástago - V |
| 24 | 818-542 | Tope para regulador | 54a | 803-061 | Empaque para vástago - V |
| 25 | 818-532 | Empaque p/adaptador bomba-manguera | 55 | 803-065 | Asiento metálico para vástago |
| 26 | 818-526 | Niple bomba-manguera | 56 | 803-067 | Resorte para vástago |
| 27 | 818-686 | Base grande motor | 57 | 803-264 | Tapón plástico para pistola |
| 28 | 818-580 | Amortiguador soporte-tanque | 58 | 803-115 | Empaque para boquerel - V |
| 29 | 818-577 | Soporte negro completo | 59 | 807-079 | Conector macho Yamaho |
| 30 | 818-555 | Rondana estriada M6 tropicalizada | 60 | 803-097 | Tuerca unión |
| 31 | 818-558 | Tornillo c/queso M6x10 tropicalizado | 61 | 807-080 | Empaque para conector macho Yamaho |
| 32 | 818-583 | Pija c/estufa Philips | 62G | 818-530-C | Tubo rociador Forza |
| 33G | 818-501-C | Porta cintas metálico | 63G | 818-036-C | Boquilla doble |
| 34 | 818-546 | Cinta para Forza completa | 64G | 818-739-C | Rompeolas completo |

Debido al interés en el progreso tecnológico, la empresa se reserva el derecho de hacer cambios técnicos sin previo aviso.

SWISSMEX-RAPID, S.A. DE C.V.

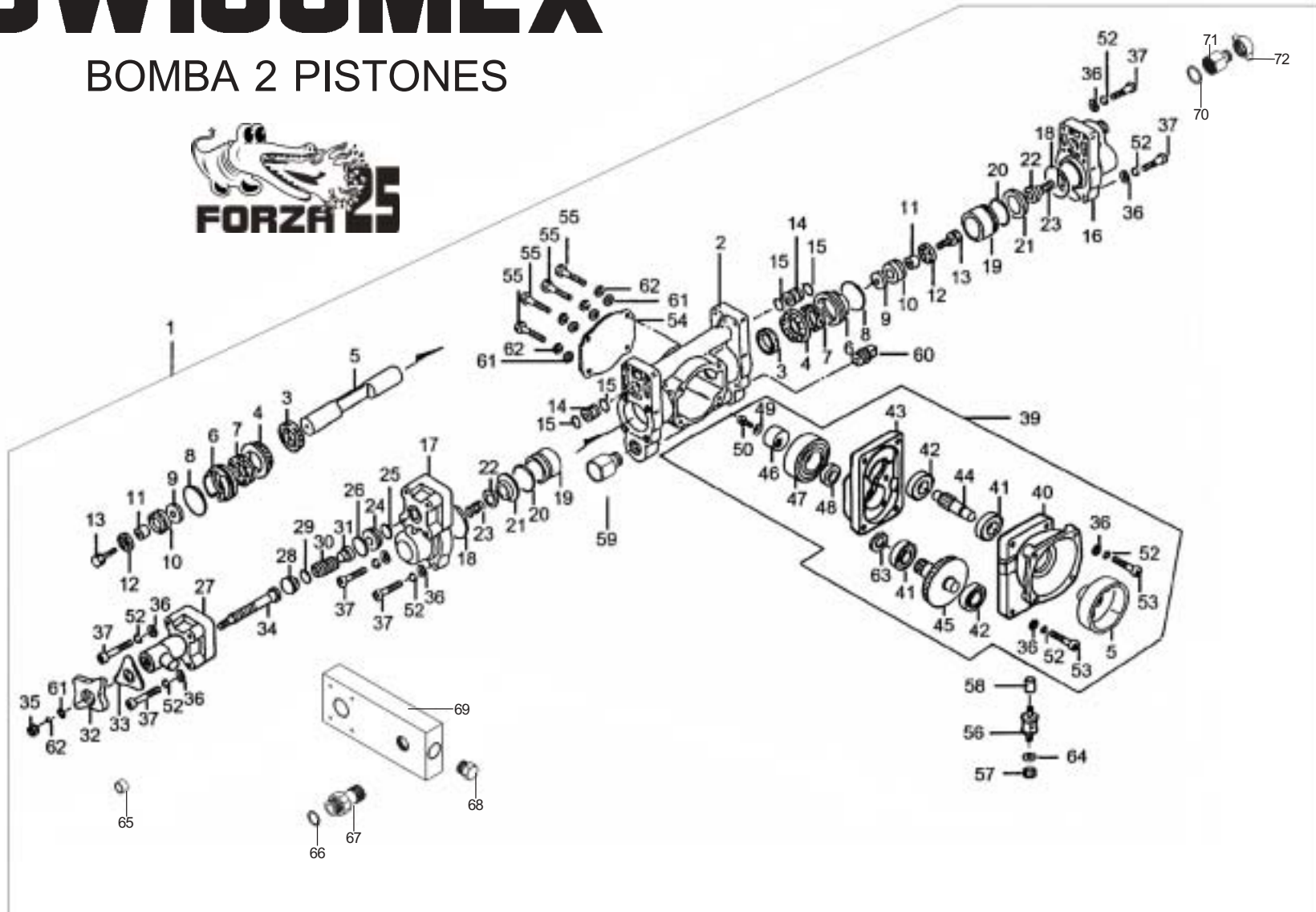
Apartado Postal 56 y 92
Calle Swissmex # 500
Col. Las Ceibas
47400 Lagos de Moreno,
Jalisco, México.

Tels: (474)-742-0300
-742-0400
Fax: (474)-742-0856
-742-4185

Internet- www.swissmex.com.mx
E-mail- swissmex@swissmex.com.mx

SWISSMEX

BOMBA 2 PISTONES



LISTA DE PIEZAS DE REFACCION

| Pos. | No. Parte | Descripción | Pos. | No. Parte | Descripción |
|------|--------------|-----------------------------------|------|--------------|------------------------------------|
| 1 | ASH-WR3-0100 | Ensamble de la bomba | 37 | ASH-WR3-0136 | Tornillo |
| 2 | ASH-WR3-0101 | Carter | 38 | ASH-WR3-0137 | Tornillo |
| 3 | ASH-WR3-0102 | Empaque para aceite | 39 | ASH-WR3-0138 | Ensamble del engrane de reducción |
| 4 | ASH-WR3-0103 | Collarin | 40 | ASH-WR3-0139 | Caja del clutch |
| 5 | ASH-WR3-0104 | Guia del pistón | 41 | ASH-WR3-0140 | Buje |
| 6 | ASH-WR3-0105 | Seguro del empaque | 42 | ASH-WR3-0141 | Buje |
| 7 | ASH-WR3-0106 | Caja del empaque | 43 | ASH-WR3-0142 | Alojamiento para el engrane |
| 8 | ASH-WR3-0107 | Arosello | 44 | ASH-WR3-0143 | Engrane piñón |
| 9 | ASH-WR3-0108 | Asiento de la válvula de succión | 45 | ASH-WR3-0144 | Flecha del engrane |
| 10 | ASH-WR3-0109 | Caja del pistón | 46 | ASH-WR3-0145 | Leva |
| 11 | ASH-WR3-0110 | Collarin de la válvula de succión | 47 | ASH-WR3-0146 | Buje |
| 12 | ASH-WR3-0111 | Tope para la válvula de succión | 48 | ASH-WR3-0147 | Collarin |
| 13 | ASH-WR3-0112 | Tornillo hexagonal | 49 | ASH-WR3-0148 | Rondana de presión |
| 14 | ASH-WR3-0113 | Tubo espaciador | 50 | ASH-WR3-0149 | Tornillo |
| 15 | ASH-WR3-0114 | Arosello | 51 | ASH-WR3-0150 | Tambor del clutch |
| 16 | ASH-WR3-0115 | Cabeza del cilindro (A) | 52 | ASH-WR3-0151 | Rondana de presión |
| 17 | ASH-WR3-0116 | Cabeza del cilindro (B) | 53 | ASH-WR3-0152 | Tornillo |
| 18 | ASH-WR3-0117 | Arosello | 54 | ASH-WR3-0153 | Tapadera del carter |
| 19 | ASH-WR3-0118 | Tubo del cilindro | 55 | ASH-WR3-0154 | Tornillo hexagonal |
| 20 | ASH-WR3-0119 | Arosello | 56 | ASH-WR3-0155 | Separador |
| 21 | ASH-WR3-0120 | Asiento de la válvula de descarga | 57 | ASH-WR3-0040 | Tuerca |
| 22 | ASH-WR3-0121 | Válvula de descarga | 58 | ASH-WR3-0156 | Collarin |
| 23 | ASH-WR3-0122 | Resorte de la válvula de descarga | 59 | 818-523 | Niple espiga para succión |
| 24 | ASH-WR3-0123 | Asiento de la válvula | 60 | ASH-WR3-0158 | Clavija |
| 25 | ASH-WR3-0124 | Arosello | 61 | ASH-WR3-0159 | Rondana |
| 26 | ASH-WR3-0125 | Arosello | 62 | ASH-WR3-0160 | Rondana de presión |
| 27 | ASH-WR3-0126 | Alojamiento del resorte | 63 | ASH-WR3-0161 | Rondana |
| 28 | ASH-WR3-0127 | Seguro del resorte | 64 | ASH-WR3-0162 | Rondana |
| 29 | ASH-WR3-0128 | Arosello | 65 | 818-542 | Tope para regulador |
| 30 | ASH-WR3-0129 | Resorte de compresión | 66 | | |
| 31 | ASH-WR3-0130 | Válvula | 67 | 818-526 | Niple bomba manguera |
| 32 | ASH-WR3-0131 | Meneral | 68 | | |
| 33 | ASH-WR3-0132 | Ajustador | 69 | | |
| 34 | ASH-WR3-0133 | Tornillo | 70 | 818-532 | Empaque p/adaptador bomba manguera |
| 35 | ASH-WR3-0134 | Tuerca | 71 | 818-517 | Adaptador bomba manguera |
| 36 | ASH-WR3-0135 | Rondana | 72 | | |

Debido al interés en el progreso tecnológico, la empresa se reserva el derecho de hacer cambios técnicos sin previo aviso.

Apartado Postal 56 y 92
Calle Swissmex # 500
Col. Las Ceibas
47400 Lagos de Moreno,
Jalisco, México.

SWISSMEX-RAPID, S.A. DE C.V.

Internet- www.swissmex.com.mx
E-mail- swissmex@swissmex.com.mx

Tels: (474)-742-0300
-742-0400
Fax: (474)-742-0856
-742-4185



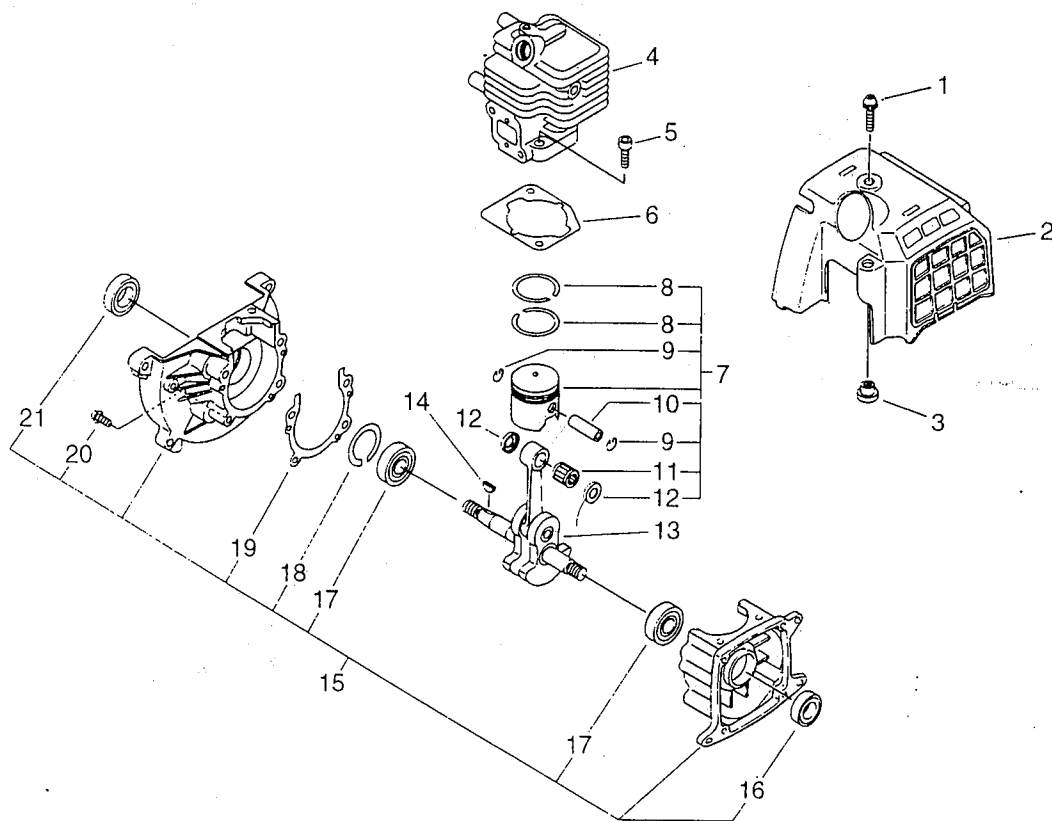
PARTS CATALOGUE

ECHO

SHPE-800P

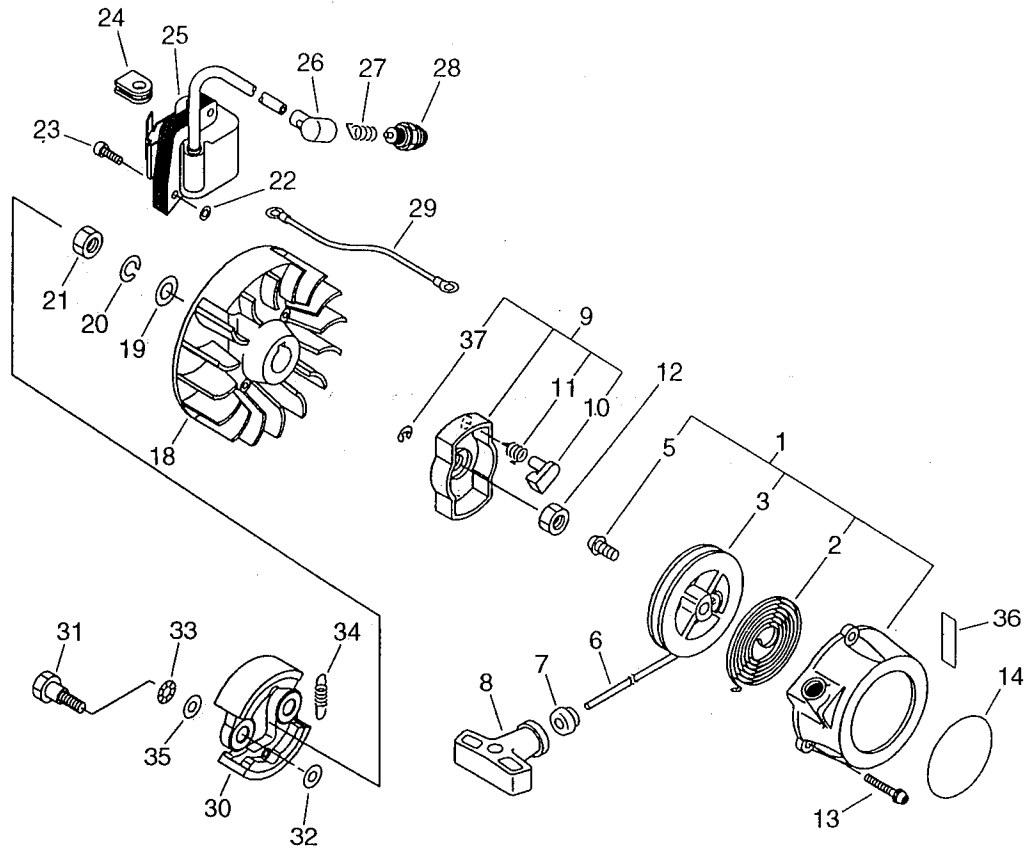
SHP-800P

1 Cylinder, Crankcase, Piston



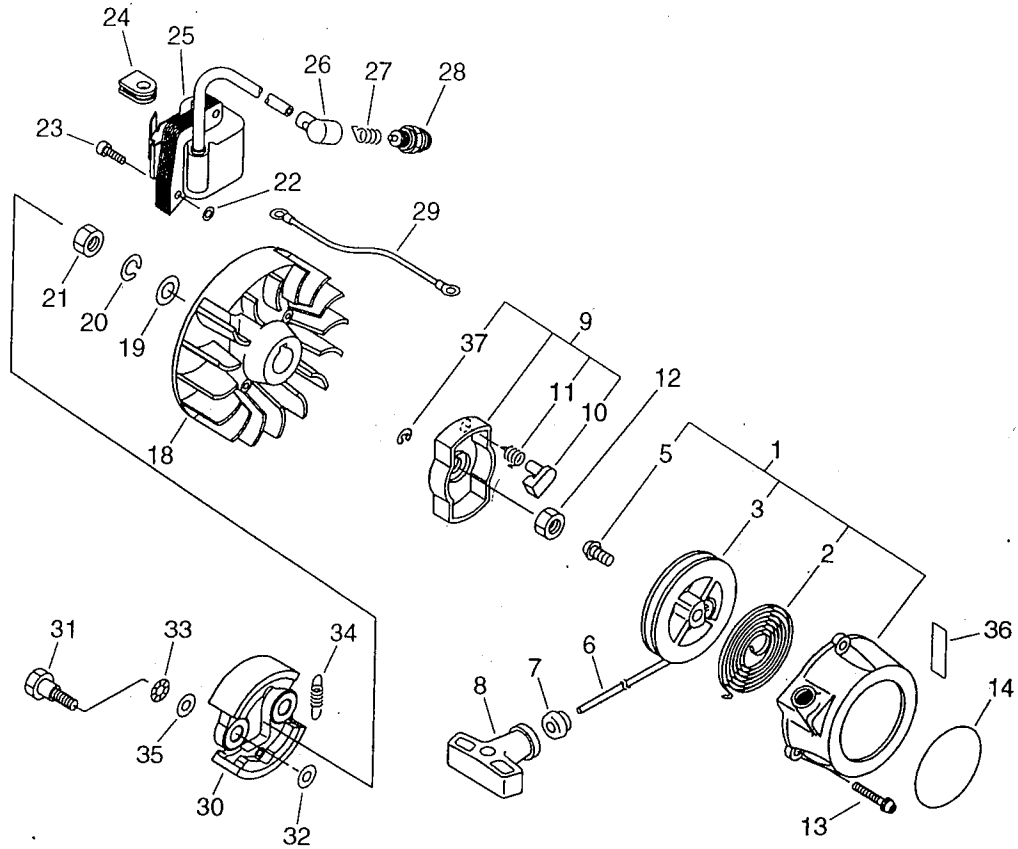
| KEY | LV | PART NUMBER | QTY | DESCRIPTION | REMARKS |
|-----|----|----------------|-----|-----------------------|---------|
| 1 | | 900 242-0501 4 | 1 | SCREW 5*14 | |
| 2 | | A160-000030 | 1 | COVER, CYLINDER | |
| 3 | | V353-000020 | 1 | COLLAR, 5 | |
| 4 | | 101 011-6123 0 | 1 | CYLINDER | |
| 5 | | 900 162-0502 2 | 2 | BOLT, H.S. 5*22 | |
| 6 | | 101 010-5593 0 | 1 | GASKET, CYL. BASE | |
| 7 | | 100 000-5593 2 | 1 | PISTON KIT | |
| 8 | + | 100 011-0533 0 | 2 | RING, PISTON | |
| 9 | + | 100 015-0463 0 | 2 | CIRCLIP, PISTON PIN | |
| 10 | + | 100 013-2233 0 | 1 | PIN, PISTON | |
| 11 | + | V553-000020 | 1 | BEARING, NEEDLE 8 | |
| 12 | + | 100 014-5593 0 | 2 | SPACER, PISTON PIN | |
| 13 | | 100 100-5593 0 | 1 | CRANKSHAFT ASSY | |
| 14 | | 100 142-1233 0 | 1 | KEY, WOODRUFF | |
| 15 | | 100 204-5703 1 | 1 | CRANKCASE KIT | |
| 16 | + | 100 213-0553 0 | 1 | OIL SEAL | |
| 17 | + | 900 800-3600 1 | 2 | BEARING, BALL 6001 | |
| 18 | + | 900 702-0002 8 | 1 | CIRCLIP 28 | |
| 19 | + | 100 242-5593 0 | 1 | GASKET, CRANKCASE | |
| 20 | + | 900 242-0502 5 | 4 | SCREW 5*25 | |
| 21 | + | 100 212-2823 0 | 1 | OIL SEAL ISCD 12*28*7 | |

SHPE-800P 2 Starter, Magneto



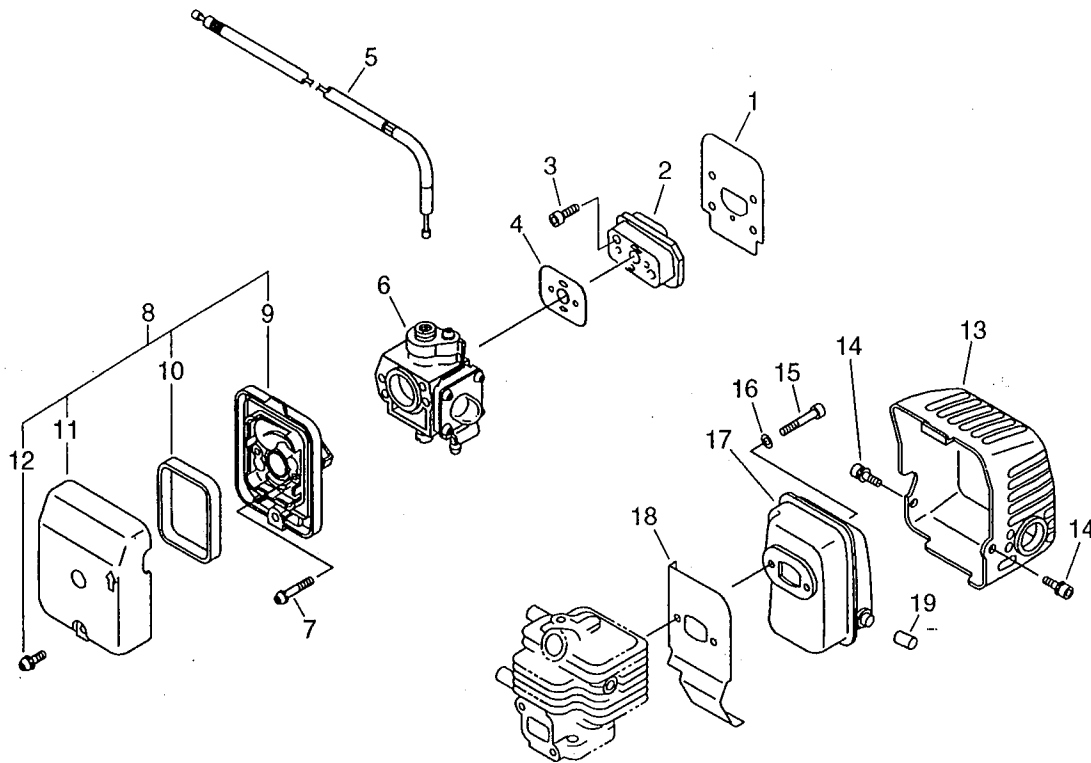
| KEY | LV | PART NUMBER | QTY | DESCRIPTION | REMARKS |
|-----|----|--------------|-----|------------------------|---------|
| 1 | | 177 200-5593 | 1 | STARTER ASY | |
| 2 | + | 177 220-4063 | 0 | 1 SPRING, REWIND | |
| 3 | + | 177 215-4063 | 0 | 1 DRUM, STARTER | |
| 5 | + | 177 236-4433 | 0 | 1 SCREW | |
| 6 | + | 177 226-0393 | 0 | 1 ROPE, STARTER | |
| 7 | + | 177 227-4203 | 0 | 1 GUIDE, ROPE | |
| 8 | + | 177 228-2703 | 0 | 1 GRIP, STARTER | |
| 9 | | 177 202-4063 | 0 | 1 PAWL ASY, STARTER | |
| 10 | + | 177 218-4063 | 0 | 1 PAWL, STARTER | |
| 11 | + | 177 234-4063 | 0 | 1 SPRING, RETURN | |
| 37 | + | 900 700-0000 | 4 | 1 E-RING 4 | |
| 12 | | 900 502-0000 | 8 | 1 NUT 8 (3N) | |
| 13 | | 900 239-0401 | 4 | 4 SCREW 4*14 | |
| 14 | | 890 053-5623 | 0 | 1 LABEL, KIORITZ 47MM | |
| 18 | | 152 801-5653 | 0 | 1 ROTOR, MAGNETO | |
| 19 | | 900 600-0000 | 8 | 1 WASHER 8 | |
| 20 | | 900 605-0000 | 8 | 1 WASHER, SPRING 8 | |
| 21 | | 900 502-0000 | 8 | 1 NUT 8 (3N) | |
| 22 | | 150 117-0913 | 0 | 2 SPACER | |
| 23 | | 900 162-0402 | 2 | 2 BOLT, H.S. 4*22 | |
| 24 | | 156 112-2823 | 0 | 1 GROMMET | |
| 25 | | 152 626-5593 | 2 | 1 COIL, IGNITION | |
| 26 | | 159 012-0343 | 3 | 1 CAP, SPARK PLUG | |
| 27 | | 159 011-0343 | 2 | 1 COIL, SPARK PLUG CAP | |

SHPE-800P 2 Starter, Magneto



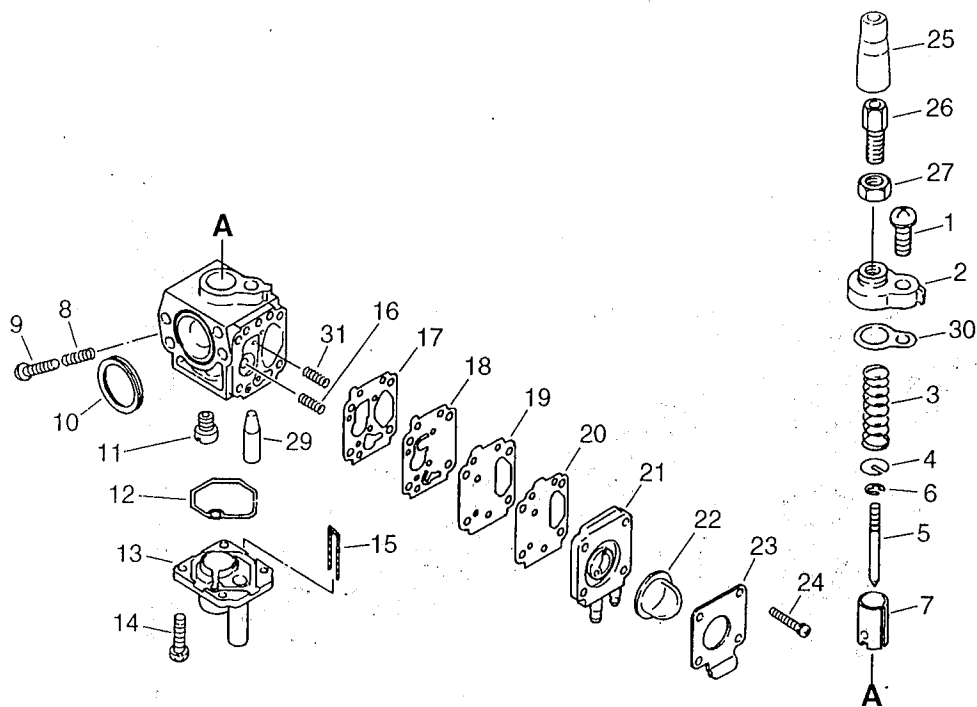
| KEY | LV | PART NUMBER | QTY | DESCRIPTION | REMARKS |
|-----|----|----------------|-----|----------------------|---------|
| 28 | | 159 010-1963 0 | 1 | PLUG, SPARK (BPM-7Y) | |
| 29 | | 162 010-5543 0 | 1 | LEAD | |
| 30 | | 175 009-5593 0 | 2 | SHOE, CLUTCH | |
| 31 | | 175 046-5603 0 | 2 | SHAFT, CLUTCH | |
| 32 | | V304-000010 | 2 | WASHER, CIRCULAR 6 | |
| 33 | | 175 049-5603 0 | 2 | WASHER | |
| 34 | | V451-000040 | 1 | SPRING, TENSION | |
| 35 | | V306-000020 | 2 | WASHER, CIRCULAR 8 | |
| 36 | | 890 160-0636 1 | 1 | LABEL, CAUTION | |

SHPE-800P 3 Air Cleaner, Carburetor, Muffler



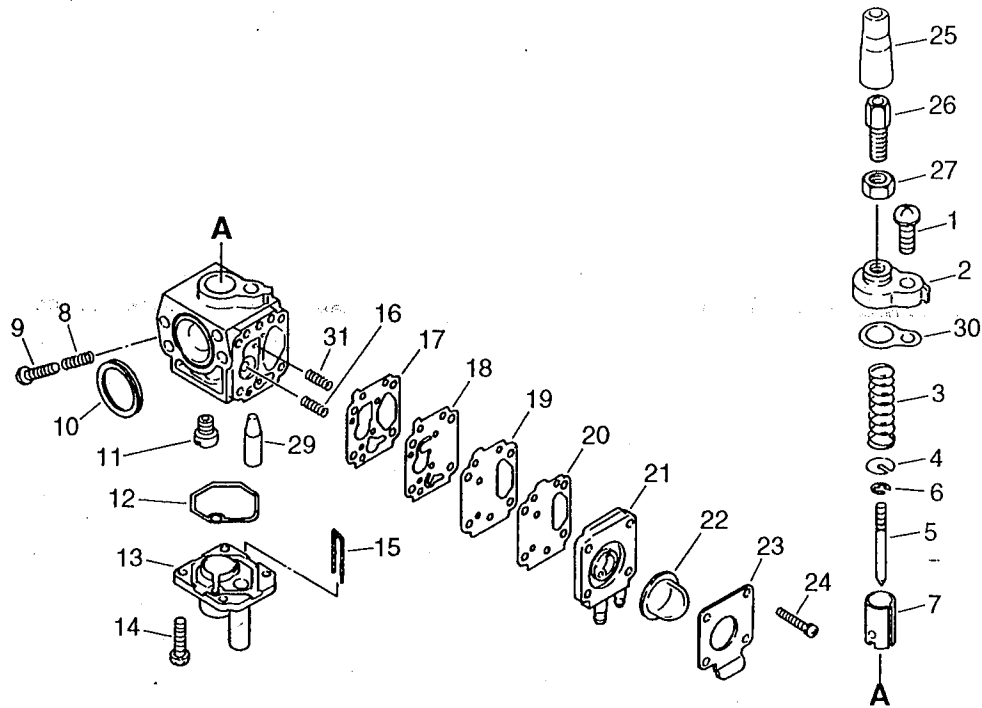
| KEY | LV | PART NUMBER | QTY | DESCRIPTION | REMARKS |
|-----|----|----------------|-----|--------------------|---------|
| 1 | | 130 010-5593 0 | 1 | GASKET, INTAKE | |
| 2 | | 130 017-5643 1 | 1 | INSULATOR | |
| 3 | | 900 162-0502 5 | 2 | BOLT, H.S. 5*25 | |
| 4 | | 130 010-5633 0 | 1 | GASKET, INTAKE | |
| 5 | | 706 130-0523 0 | 1 | THROTTLE WIRE | |
| 6 | | 124 200-1322 0 | 1 | CARBURETOR | |
| 7 | | 900 242-0505 0 | 2 | SCREW 5*50 | |
| 8 | | 130 300-1341 1 | 1 | CLEANER ASM., AIR | |
| 9 | + | 130 307-1341 0 | 1 | CASE, AIR CLEANER | |
| 10 | + | 130 310-1341 0 | 1 | FILTER, AIR | |
| 11 | + | 130 308-1341 0 | 1 | COVER, AIR CLEANER | |
| 12 | + | 900 238-0501 6 | 1 | SCREW 5*16 | |
| 13 | | 145 621-5653 0 | 1 | COVER, MUFFLER | |
| 14 | | 900 106-0500 8 | 2 | BOLT, H.S. 5* 8 | |
| 15 | | 900 105-0505 5 | 2 | BOLT, H.S. 5*55 | |
| 16 | | 900 600-0000 5 | 2 | WASHER 5 | |
| 17 | | 145 610-6263 0 | 1 | MUFFLER | |
| 18 | | 145 510-5593 2 | 1 | GASKET, MUFFLER | |
| 19 | | G231-000021 | 1 | PIPE, EXHAUST | |

SHPE-800P 4 Carburetor



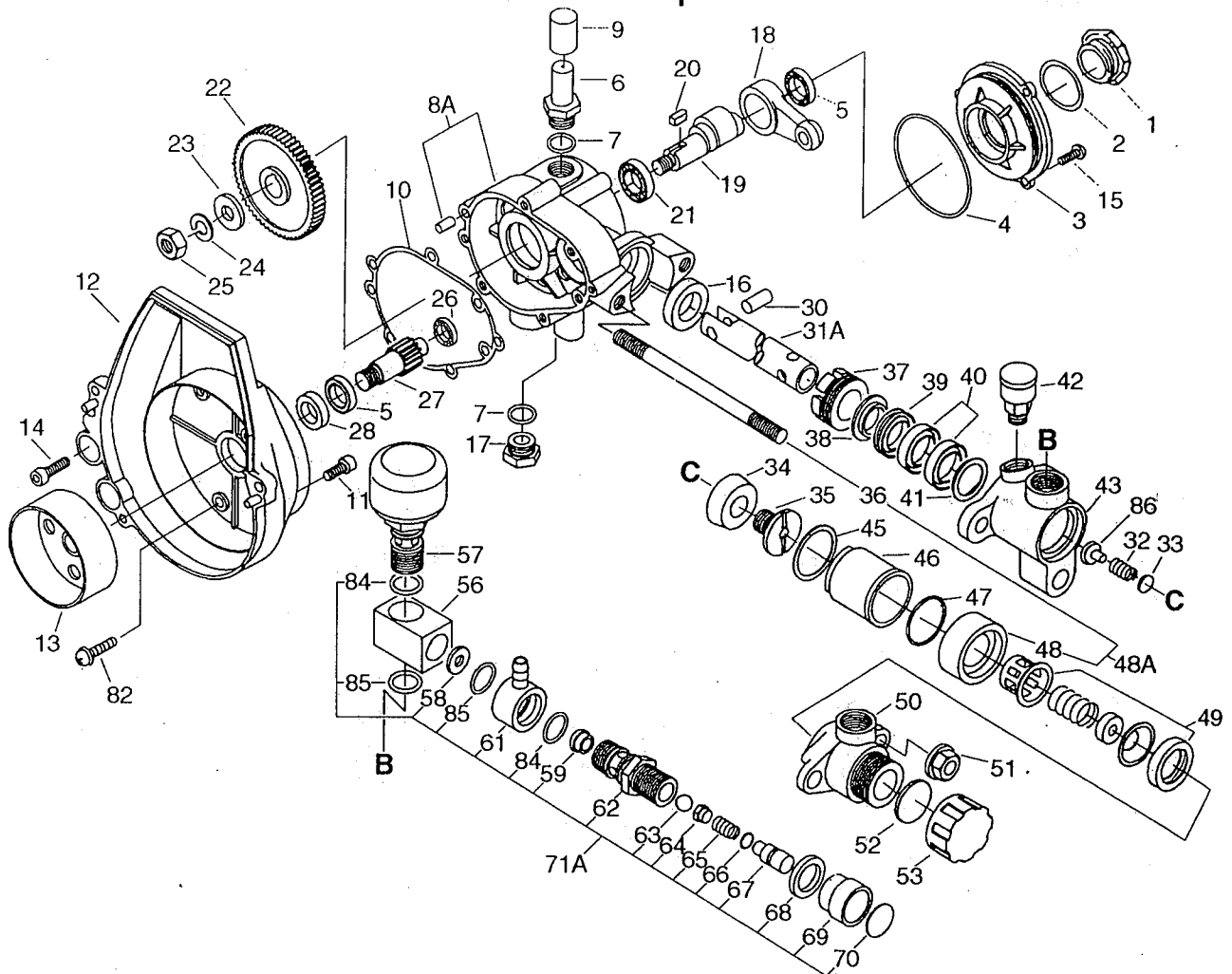
| KEY | LV | PART NUMBER | QTY | DESCRIPTION | REMARKS |
|-----|----|----------------|-----|----------------------|---------|
| | | 124 200-1322 0 | 1 | CARBURETOR | |
| 1 | + | 900 241-0501 6 | 1 | SCREW 5*16 (W/W,SW) | |
| 2 | + | 124 113-1341 0 | 1 | COVER, TOP | |
| 3 | + | 124 114-0553 0 | 1 | SPRING, THROTTLE | |
| 4 | + | 124 115-0553 0 | 1 | SEAT, SPRING | |
| 5 | + | 124 317-4993 0 | 1 | NEEDLE, JET | |
| 6 | + | 124 116-0553 0 | 1 | E-RING | |
| 7 | + | 124 318-5703 0 | 1 | VALVE, THROTTLE | |
| 8 | + | 124 160-1112 0 | 1 | SPRING, IDLE ADJUST | |
| 9 | + | 124 129-1341 0 | 1 | SCREW | |
| 10 | + | 124 149-1341 0 | 1 | GASKET, FRANGE | |
| 11 | + | 124 122-1531 0 | 1 | JET, MAIN | |
| 12 | + | 124 123-1341 0 | 1 | GASKET, CHAMBER | |
| 13 | + | 124 124-1341 0 | 1 | CHAMBER, FLOAT | |
| 14 | + | 900 241-0301 0 | 4 | SCREW 3*10 (W/SW) | |
| 15 | + | 124 182-1341 0 | 1 | WIRE, DRAIN | |
| 16 | + | 124 355-5013 0 | 1 | SPRING, ADJUSTMENT | |
| 17 | + | 124 361-1271 0 | 1 | GASKET | |
| 18 | + | 124 364-1271 0 | 1 | DIAPHRAGM, FUEL PUMP | |
| 19 | + | 124 362-1271 0 | 1 | BODY, FUEL PUMP | |
| 20 | + | 124 363-1271 0 | 1 | GASKET, FUEL PUMP | |
| 21 | + | 124 365-1341 0 | 1 | COVER, PUMP | |
| 22 | + | 124 380-1271 0 | 1 | PUMP, PRIMING | |
| 23 | + | 124 342-1271 0 | 1 | PLATE, PUMP | |

SHPE-800P 4 Carburetor



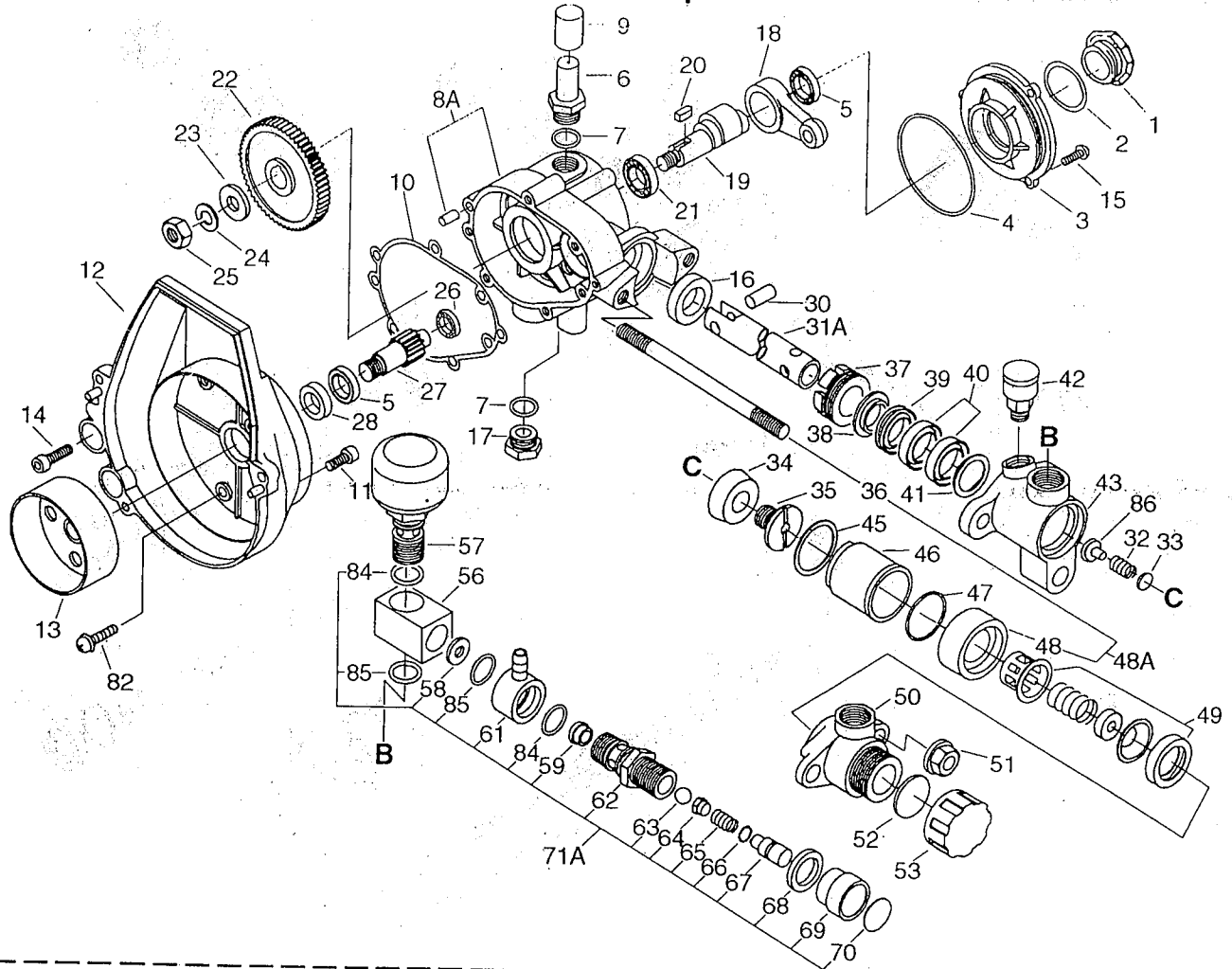
| KEY | LV | PART NUMBER | QTY | DESCRIPTION | REMARKS |
|-----|----|----------------|-----|-------------------|---------|
| 24 | + | 900 241-0301 4 | 4 | SCREW 3*14 (W/SW) | |
| 25 | + | 124 174-1341 0 | 1 | CAP, RUBBER | |
| 26 | + | 124 158-1341 1 | 1 | ADJUSTER, CABLE | |
| 27 | + | 124 111-0581 0 | 1 | NUT | |
| 29 | + | 124 162-1341 0 | 1 | JET, NEEDLE | |
| 30 | + | 124 172-1341 0 | 1 | PACKING | |
| 31 | + | 124 367-5423 0 | 1 | SPRING, BACK UP | |

SHPE-800P 5 Pressure Pump



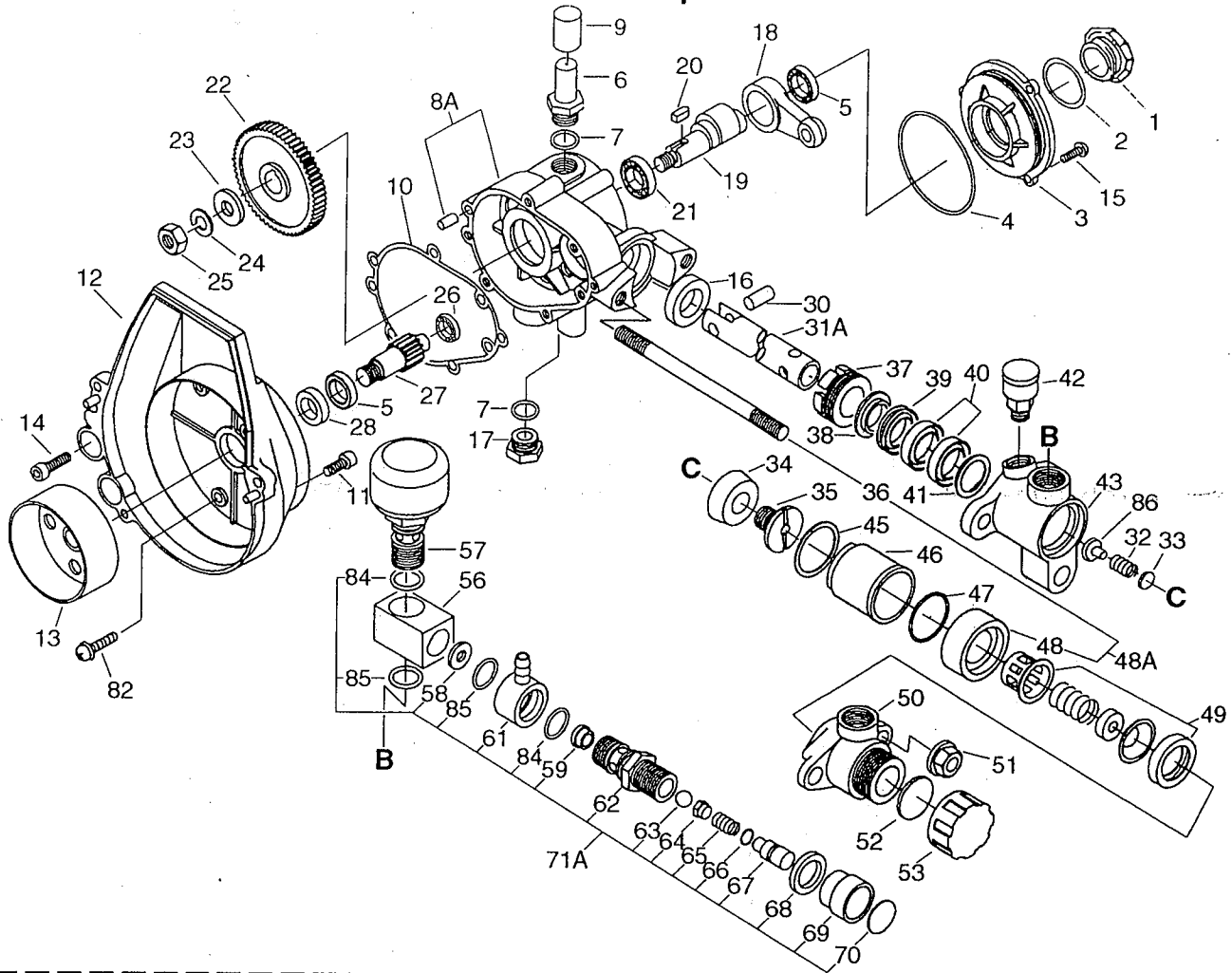
| KEY | LV | PART NUMBER | QTY | DESCRIPTION | REMARKS |
|-----|----|----------------|-----|--------------------|---------|
| 1 | | 706 150-0195 3 | 1 | OIL GAUGE | |
| 2 | | 706 150-0278 1 | 1 | O-RING | |
| 3 | | 706 020-0374 2 | 1 | GEAR CASE LID | |
| 4 | | 706 020-0497 0 | 1 | O-RING | |
| 5 | | 900 800-0600 1 | 2 | BEARING, BALL 6001 | BB6001 |
| 6 | | 706 020-0692 0 | 1 | OILING BOLT | |
| 7 | | 900 722-3011 2 | 2 | O-RING | |
| 8A | | 706 020-08A4 3 | 1 | PUMP BODY W/PIN | |
| 9 | | 706 020-0997 0 | 1 | CAP | |
| 10 | | 706 020-1070 0 | 1 | GASKET | |
| 11 | | 900 162-0501 8 | 4 | BOLT, H.S. 5*18 | |
| 12 | | 706 020-1224 1 | 1 | FAN COVER | |
| 13 | | 706 020-1325 0 | 1 | CLUTCH DRUM | |
| 14 | | 900 162-0502 5 | 2 | BOLT, H.S. 5*25 | |
| 15 | | 900 242-0401 2 | 3 | SCREW 4*12 | |
| 16 | | 706 020-1697 0 | 1 | OIL SEAL | |
| 17 | | 706 020-1792 0 | 1 | DRAIN CAP | |
| 18 | | 706 020-1822 0 | 1 | CONNECTING ROD | |
| 19 | | 706 020-1923 0 | 1 | CRANK SHAFT | |
| 20 | | 706 020-2003 0 | 1 | KEY | |
| 21 | | 900 810-0620 1 | 1 | BEARING, BALL 6201 | |
| 22 | | 706 020-2223 1 | 1 | SPUR GEAR | |
| 23 | | 900 600-0000 8 | 1 | WASHER 8 | |
| 24 | | 900 605-0000 8 | 1 | WASHER, SPRING 8 | |

SHPE-800P 5 Pressure Pump



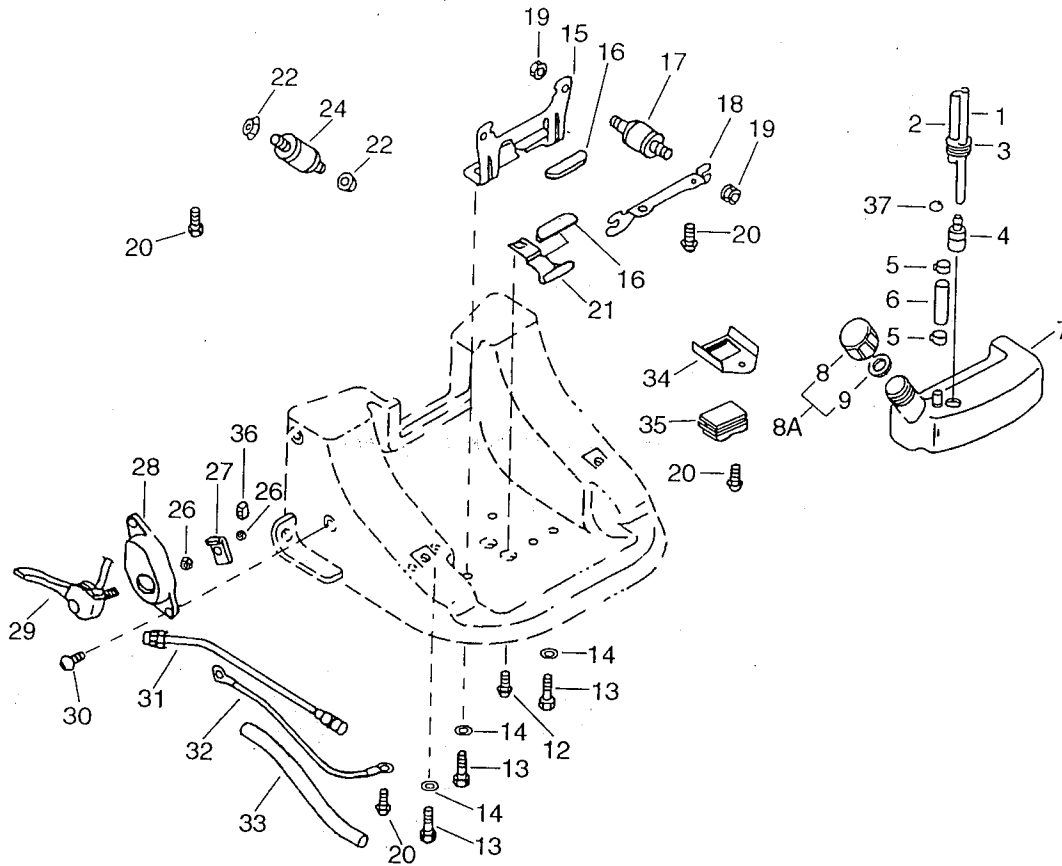
| KEY | LV | PART NUMBER | QTY | DESCRIPTION | REMARKS |
|-----|----|-------------|-----|----------------------|---------|
| | | 25 | 1 | NUT | |
| | | 26 | 1 | BEARING, BALL 609 | |
| | | 27 | 1 | PINION SHAFT | |
| | | 28 | 1 | OIL SEAL | |
| | | 30 | 1 | PISTON PIN | |
| | | 31A | 1 | PLUNGER W/SPRINGSEAT | |
| | + | 86 | 1 | SPRING SEAT | |
| | | 32 | 1 | VALVE SPRING | |
| | | 33 | 1 | DISK, VALVE | |
| | | 34 | 1 | PISTON PACKING | |
| | | 35 | 1 | VALVE SEAT | |
| | | 37 | 1 | NUT GLAND | |
| | | 38 | 1 | L-PACKING | |
| | | 39 | 1 | GREASE RING | |
| | | 40 | 1 | V-PACKING SET | |
| | | 41 | 1 | ADAPTER | |
| | | 42 | 1 | GREASE CUP | |
| | | 43 | 1 | CYLINDER | |
| | | 45 | 1 | PACKING | |
| | | 46 | 1 | SLEEVE | |
| | | 47 | 1 | O-RING | |
| | | 48A | 1 | VALVE CASING ASY | |
| | + | 36 | 2 | STUD BOLT | |
| | + | 48 | 1 | VALVE CASING | |

SHPE-800P 5 Pressure Pump



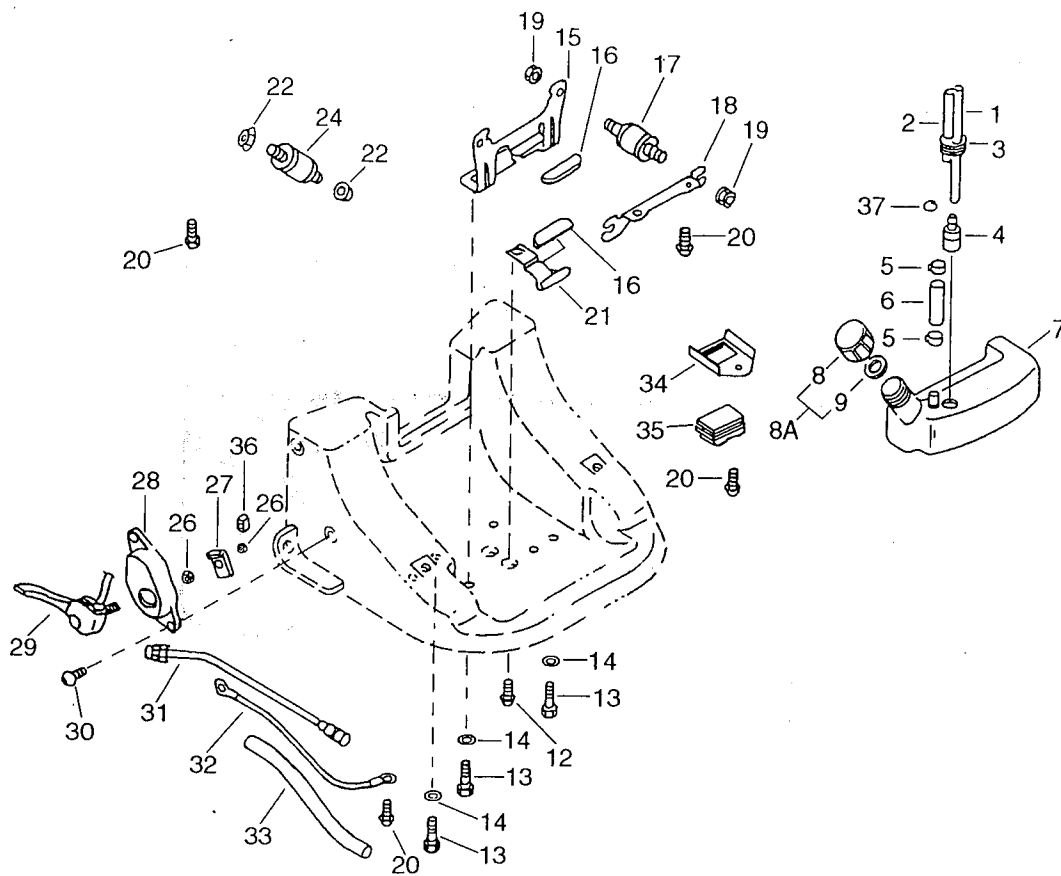
| KEY | LV | PART-NUMBER | QTY | DESCRIPTION | REMARKS |
|-----|----|----------------|-----|-----------------|---------|
| 49 | | 706 020-5000 0 | 1 | VALVE ASY | |
| 50 | | 706 M50-5052 0 | 1 | CYLINDER HEAD | |
| 51 | | 706 020-5295 0 | 2 | NUT | |
| 52 | | 250 210-1161 0 | 1 | GASKET DRAIN | |
| 53 | | 250 211-1161 0 | 1 | CAP, DRAIN | |
| 56 | | 706 020-5562 1 | 1 | CONNECTOR | |
| 57 | | 706 020-5641 1 | 1 | AIR CHAMBER | |
| 71A | | 706 020-60A2 2 | 1 | REGULATOR ASY | |
| 58 | + | 706 020-6176 0 | 1 | WASHER | |
| 59 | + | 706 020-6201 2 | 1 | VALVE SEAT | |
| 61 | + | 706 020-6462 0 | 1 | VALVE CASING | |
| 62 | + | 706 020-6562 1 | 1 | SPRING CASING | |
| 63 | + | 706 020-6601 1 | 1 | BALL VALVE | |
| 64 | + | 706 020-6782 0 | 1 | SPRING SEAT | |
| 65 | + | 706 020-6801 0 | 1 | PRESSURE SPRING | |
| 66 | + | 900 720-0000 7 | 1 | O-RING 7 | |
| 67 | + | 706 020-7062 0 | 1 | SPRING SEAT | |
| 68 | + | 706 020-7192 0 | 1 | LICK NUT | |
| 69 | + | 706 020-7292 0 | 1 | REGULATOR CAP | |
| 70 | + | 706 020-7309 1 | 1 | REGULATOR LABEL | |
| 84 | + | 900 720-0125 0 | 2 | O-RING 12.5 | |
| 85 | + | 900 720-0001 6 | 2 | O-RING 16 | |
| 82 | | 900 242-0502 5 | 4 | SCREW 5*25 | |

SHPE-800P 6 Fuel Tank



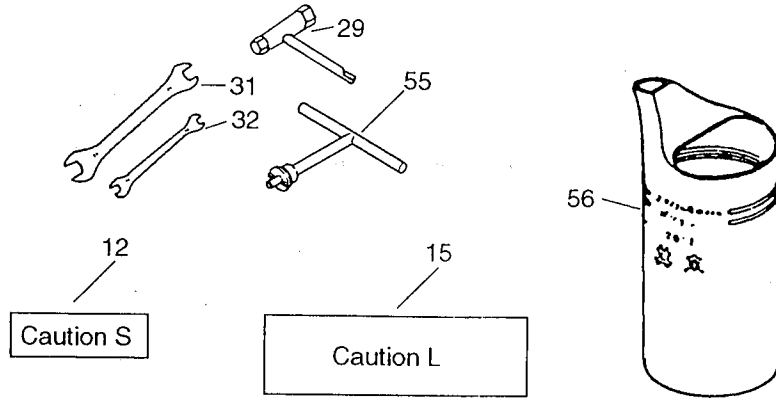
| KEY | LV | PART NUMBER | QTY | DESCRIPTION | REMARKS |
|-----|----|----------------|-----|---------------------|-------------------|
| 1 | | 437 210-1513 0 | 1 | PIPE, OIL | |
| 2 | | 706 160-0206 1 | 1 | FUEL HOSE | |
| 3 | | 132 115-4433 0 | 1 | GROMMET | |
| 4 | | 131 205-1983 0 | 1 | STRAINER, FUEL | |
| 5 | | 132 013-1401 0 | 2 | BAND | |
| 6 | | 706 160-0606 2 | 1 | FUEL OUTLET HOSE | 7.94*11.11*L50-55 |
| 7 | | 706 160-0756 0 | 1 | FUEL TANK | |
| 8A | | 706 160-09A7 0 | 1 | FUEL TANK CAP ASY | |
| 8 | + | 706 040-3176 1 | 1 | FUEL TANK CAP | |
| 9 | + | 706 160-0977 1 | 1 | PACKING, F.TANK CAP | |
| 12 | | 900 242-0602 0 | 4 | SCREW 6*20 | |
| 13 | | 900 104-0601 6 | 4 | BOLT 6*16 SUS | |
| 14 | | 706 160-1495 0 | 4 | WASHER | 6.5*19*T2 |
| 15 | | 706 160-1543 0 | 1 | BRACKET, FUEL TANK | |
| 16 | | 706 160-1677 0 | 2 | CUSHION, FUEL TANK | |
| 17 | | 706 160-1787 0 | 2 | CUSHION | |
| 18 | | 706 160-1845 0 | 1 | BRACKET ENGINE | |
| 19 | | 900 518-0000 5 | 4 | NUT, FLANGE 5 | |
| 20 | | 900 242-0501 2 | 5 | SCREW 5*12 | |
| 21 | | 706 160-2145 0 | 1 | BRACKET FUEL TANK | |
| 22 | | 900 518-0000 6 | 4 | NUT, FLANGE 6 | |
| 24 | | 706 040-4187 0 | 2 | CUSHION | |
| 26 | | 900 500-0000 5 | 2 | NUT 5 | |
| 27 | | 706 160-2705 0 | 1 | FIXED PLATE | |
| 28 | | 178 123-1401 0 | 1 | BRACKET, THROTTLE | |

SHPE-800P 6 Fuel Tank



| KEY | LV | PART NUMBER | QTY | DESCRIPTION | REMARKS |
|-----|----|----------------|-----|------------------|---------|
| 29 | | 706 160-2926 0 | 1 | THROTTLE,CONTORL | |
| 30 | | 900 242-0502 0 | 2 | SCREW 5*20 | |
| 31 | | 706 040-4700 0 | 1 | STOP SWITCH | |
| 32 | | 706 160-3200 0 | 1 | LEAD | |
| 33 | | 706 160-3376 0 | 1 | PROTECTED PIPE | |
| 34 | | 706 160-3445 0 | 1 | PLATE ANGLE | |
| 35 | | 706 160-3577 0 | 1 | CUSHION | |
| 36 | | 706 160-3687 0 | 1 | GROMMET | |
| 37 | | 132 013-2663 0 | 1 | CLIP | |

SHPE-800P 7 Tools



| KEY | LV | PART NUMBER | Q'TY | DESCRIPTION | REMARKS |
|-----|----|----------------|------|---------------------|---------|
| 12 | | 706 170-1209 2 | 1 | LABEL, CAUTION S-S | |
| 15 | | 706 040-0509 2 | 1 | LABEL, CAUTION L-S | |
| 29 | | 895 410-1063 0 | 1 | WRENCH, W/S. DRIVER | |
| 30 | | 706 170-3006 0 | 1 | POLY BAG | |
| 31 | | 706 170-3103 0 | 1 | SPANNER 14*17 | |
| 32 | | 706 170-3203 0 | 1 | SPANNER 10*12 | |
| 55 | | 706 170-5503 0 | 1 | TOOL, DRIVER | |
| 56 | | 898 520-1713 0 | 1 | MIXER, FUEL | |



KIORITZ CORPORATION

7-2, SUEHIROCHO 1-CHOME, OHME, TOKYO 198-8711, JAPAN
PHONE:81-428-32-6118 FAX:81-428-32-6145

ECHO®